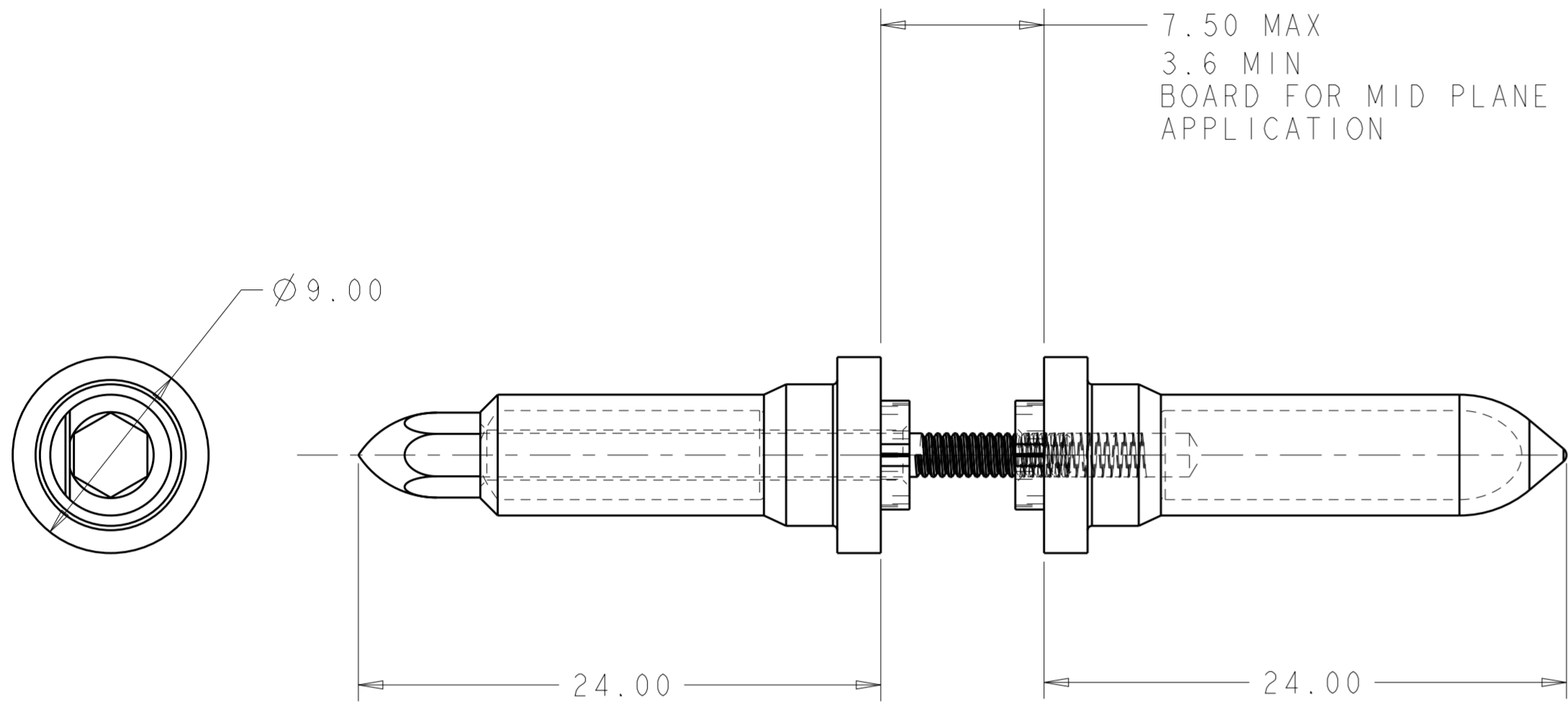
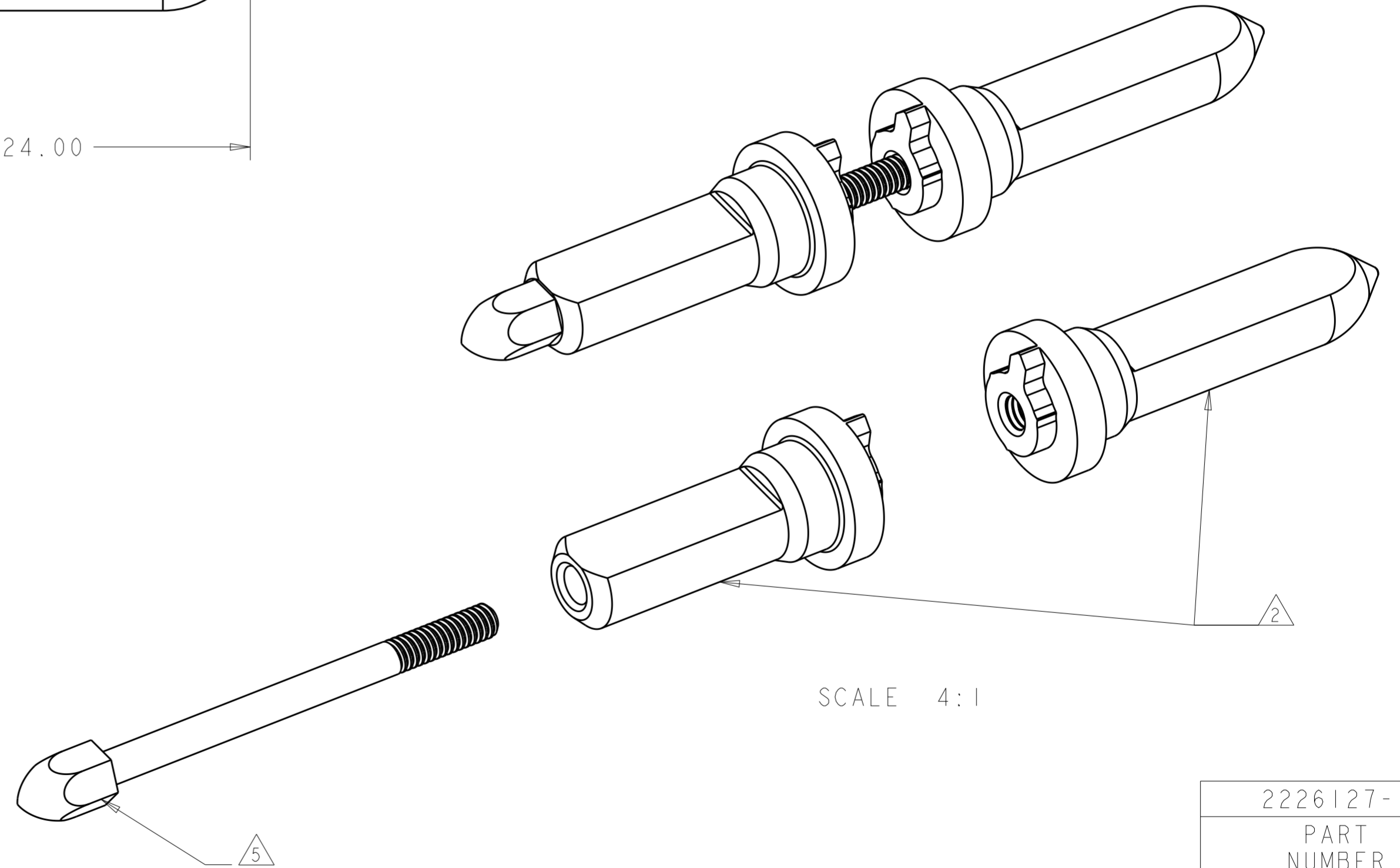


THIS DRAWING IS UNPUBLISHED. RELEASED FOR PUBLICATION 20
 © COPYRIGHT 20 BY TE CONNECTIVITY ALL RIGHTS RESERVED.

| LOC | DIST | REVISIONS | | | |
|-----|------|-------------|----------------------------|--------|-------|
| P | LTR | DESCRIPTION | DATE | DWN | APVD |
| - | - | A | RELEASED PER ECO 13-012017 | 8-2-13 | CT DH |
| | | | | | |
| | | | | | |



- 1 MATERIAL: STAINLESS STEEL (303)
- 2 GUIDE PIN FINISH: PASSIVATED
- 3 KEY HOLE ORIENTATION (DIM A) PER MATING GUIDE MODULE PART NUMBER TABLE (ORIENTATION SHOWN ON PCB LAYOUT IS FOR 1-2000677-2, 2-2000677-2, OR 2000713-2)
- 4 ANNULAR RING PLATED AROUND GUIDE PIN MOUNTING HOLE ON TOP AND BOTTOM SIDE OF BOARD
- 5 GUIDE PIN RETAINER FINISH: 3.81µm MINIMUM SILVER OVER NICKEL
- 6. 4.0 IN-LBS MAXIMUM TORQUE

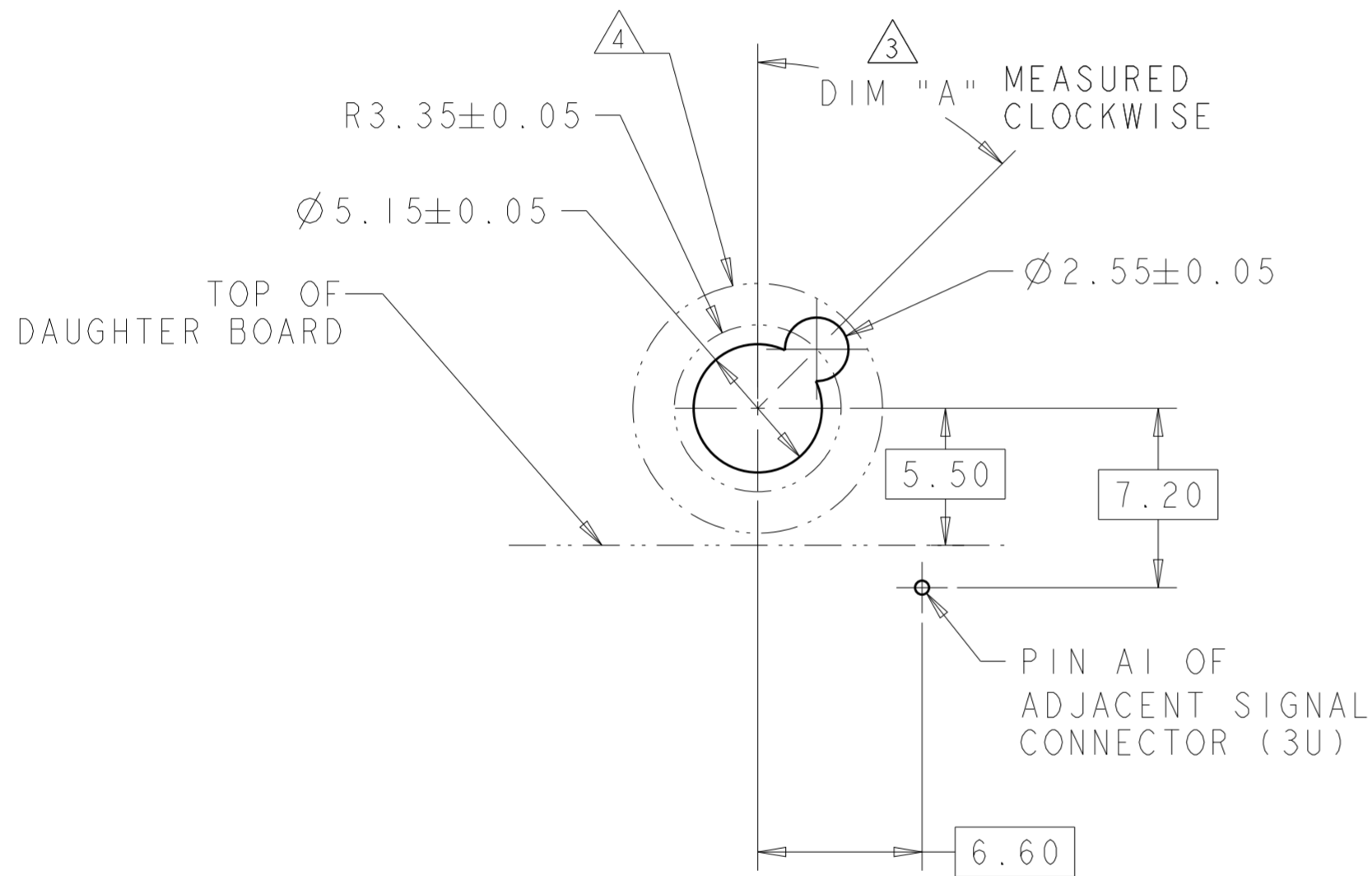


2226127-1
PART NUMBER

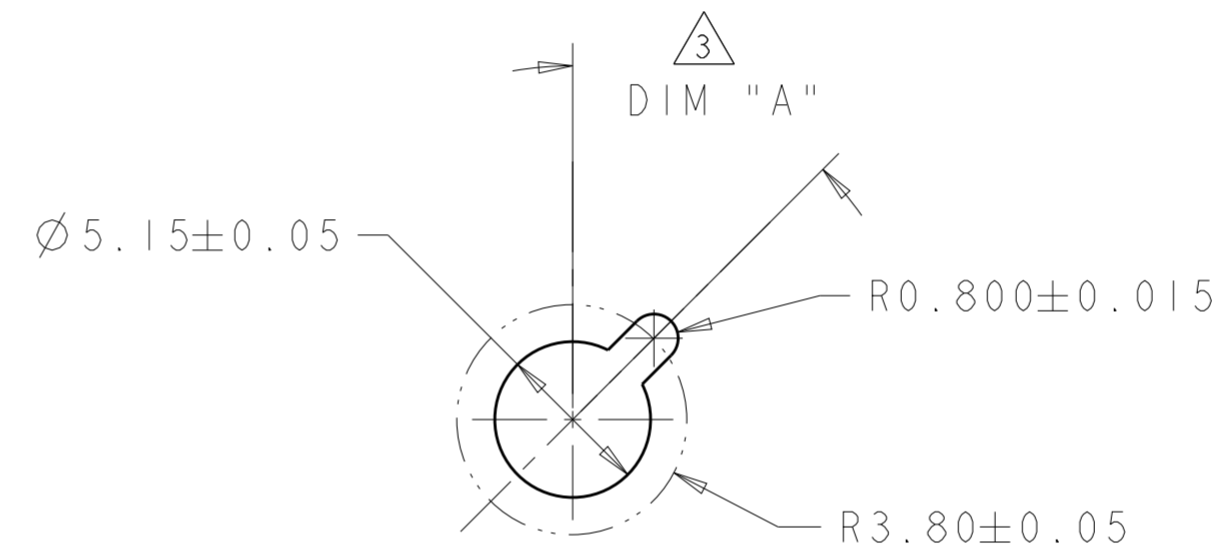
| | | | | |
|--|--|------------------------------------|--|--------------------|
| THIS DRAWING IS A CONTROLLED DOCUMENT. | | DWN K. MILLER 30 JUL 2012 | TE Connectivity | |
| DIMENSIONS: | | CHK N. RUFFINI 01 AUG 2012 | | |
| TOLERANCES UNLESS OTHERWISE SPECIFIED: | | APVD M. MCALONIS 01 AUG 2012 | NAME KEYED GUIDE PIN KIT ASSEMBLY VITA 46, BACKPLANE CONNECTOR, MULTIGIG, THREADED POST, MACHINED | |
| mm | | PRODUCT SPEC 108-2072 | RESTRICTED TO | |
| 0 PLC ±- | | APPLICATION SPEC 114-13056 | SIZE A2 | CAGE CODE 00779 |
| 1 PLC ±0.5 | | WEIGHT - | DRAWING NO C-2226127 | |
| 2 PLC ±0.13 | | CUSTOMER DRAWING | SCALE 4:1 | SHEET 1 OF 2 |
| 3 PLC ±0.013 | | | | REV A |
| 4 PLC ±- | | | | |
| ANGLES ±- | | | | |
| FINISH | | | | |

THIS DRAWING IS UNPUBLISHED. RELEASED FOR PUBLICATION 20
 © COPYRIGHT 20 BY TE CONNECTIVITY ALL RIGHTS RESERVED.

| LOC | DIST | REVISIONS | | | |
|-----|------|-------------|------|-----|------|
| P | LTR | DESCRIPTION | DATE | DWN | APVD |
| - | - | SEE SHEET 1 | - | - | - |
| | | | | | |
| | | | | | |



TIER 2
 GUIDE PIN FOOTPRINT
 (20.3mm SIGNAL MODULES)
 SCALE 4:1



ALTERNATE PCB LAYOUT
 FOR GUIDE POST
 SCALE 4:1

| | | |
|----------------|--------|------------------------|
| W/O ESD SPRING | NO KEY | 2-2000677-9 |
| W/O ESD SPRING | 315° | 2-2000677-8 |
| W/O ESD SPRING | 270° | 2-2000677-7 |
| W/O ESD SPRING | 90° | 2-2000677-3 |
| W/O ESD SPRING | 45° | 2-2000677-2 |
| W/O ESD SPRING | 0° | 2-2000677-1 |
| W/O ESD SPRING | 0° | 2-2000677-0 |
| W/O ESD SPRING | NO KEY | 1-2000677-9 |
| W/O ESD SPRING | 315° | 1-2000677-8 |
| W/O ESD SPRING | 270° | 1-2000677-7 |
| W/O ESD SPRING | 90° | 1-2000677-3 |
| W/O ESD SPRING | 45° | 1-2000677-2 |
| W/ESD SPRING | NO KEY | 2000713-6 |
| W/ESD SPRING | 315° | 2000713-5 |
| W/ESD SPRING | 270° | 2000713-4 |
| W/ESD SPRING | 90° | 2000713-3 |
| W/ESD SPRING | 45° | 2000713-2 |
| W/ESD SPRING | 0° | 2000713-1 |
| ESD SPRING | DIM A | 20.3mm GUIDE MODULE |

MATING GUIDE MODULE

| | | | | |
|--|--|------------------------------------|--|--------------------|
| THIS DRAWING IS A CONTROLLED DOCUMENT. | | DWN K. MILLER 30 JUL 2012 | TE Connectivity | |
| DIMENSIONS: mm | | CHK N. RUFFINI 01 AUG 2012 | | |
| TOLERANCES UNLESS OTHERWISE SPECIFIED: | | APVD M. MCALONIS 01 AUG 2012 | NAME KEYED GUIDE PIN KIT ASSEMBLY VITA 46, BACKPLANE CONNECTOR, MULTIGIG, THREADED POST, MACHINED | |
| 0 PLC ± | | PRODUCT SPEC 108-2072 | RESTRICTED TO | |
| 1 PLC ±0.5 | | APPLICATION SPEC 114-13056 | SIZE A2 | CAGE CODE 00779 |
| 2 PLC ±0.13 | | WEIGHT - | DRAWING NO C-2226127 | REV A |
| 3 PLC ±0.013 | | CUSTOMER DRAWING | SCALE 4:1 | SHEET 2 OF 2 |
| 4 PLC ± | | | | |
| ANGLES ± | | | | |
| FINISH | | | | |

单击下面可查看定价，库存，交付和生命周期等信息

[>>TE Connectivity\(泰科\)](#)