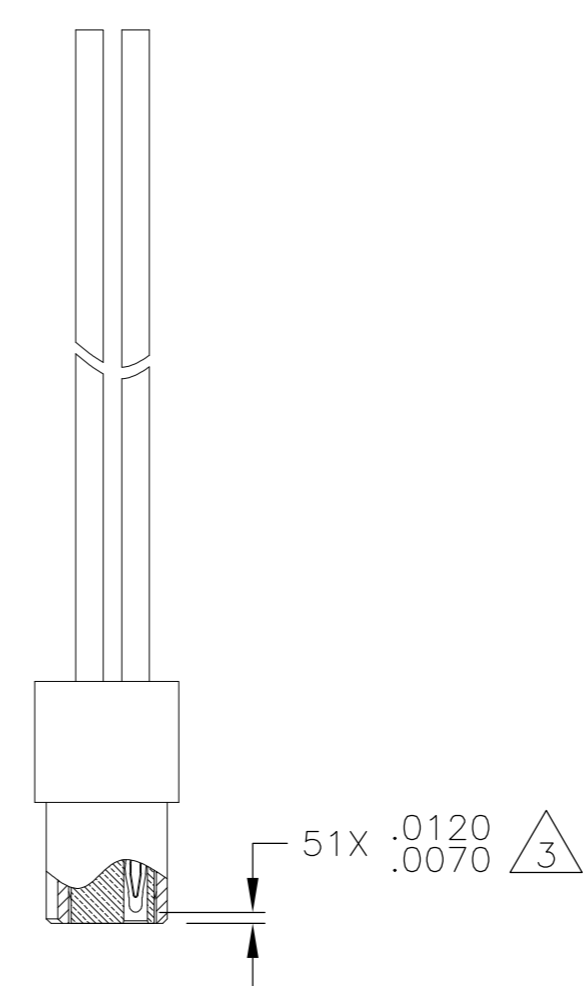
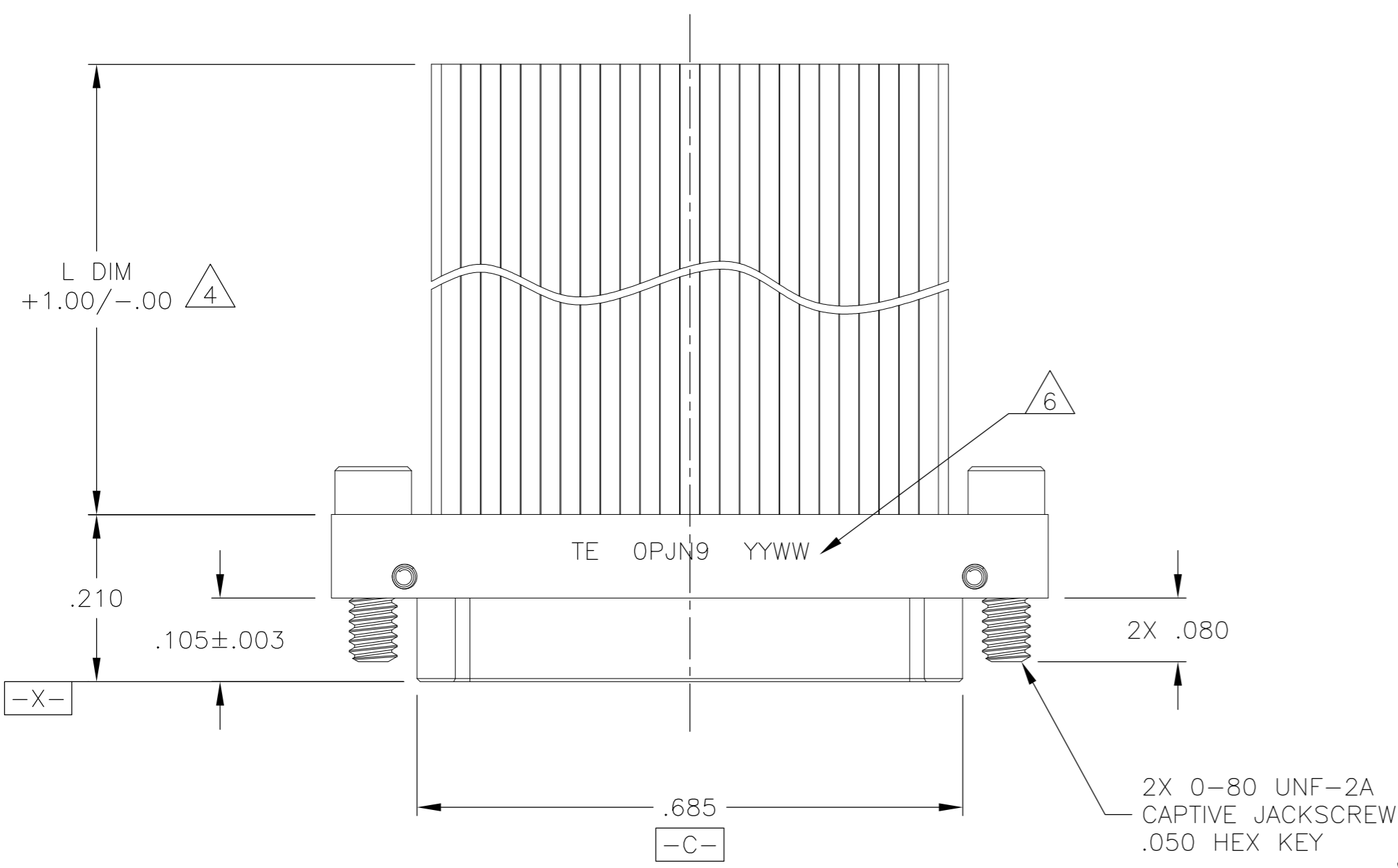
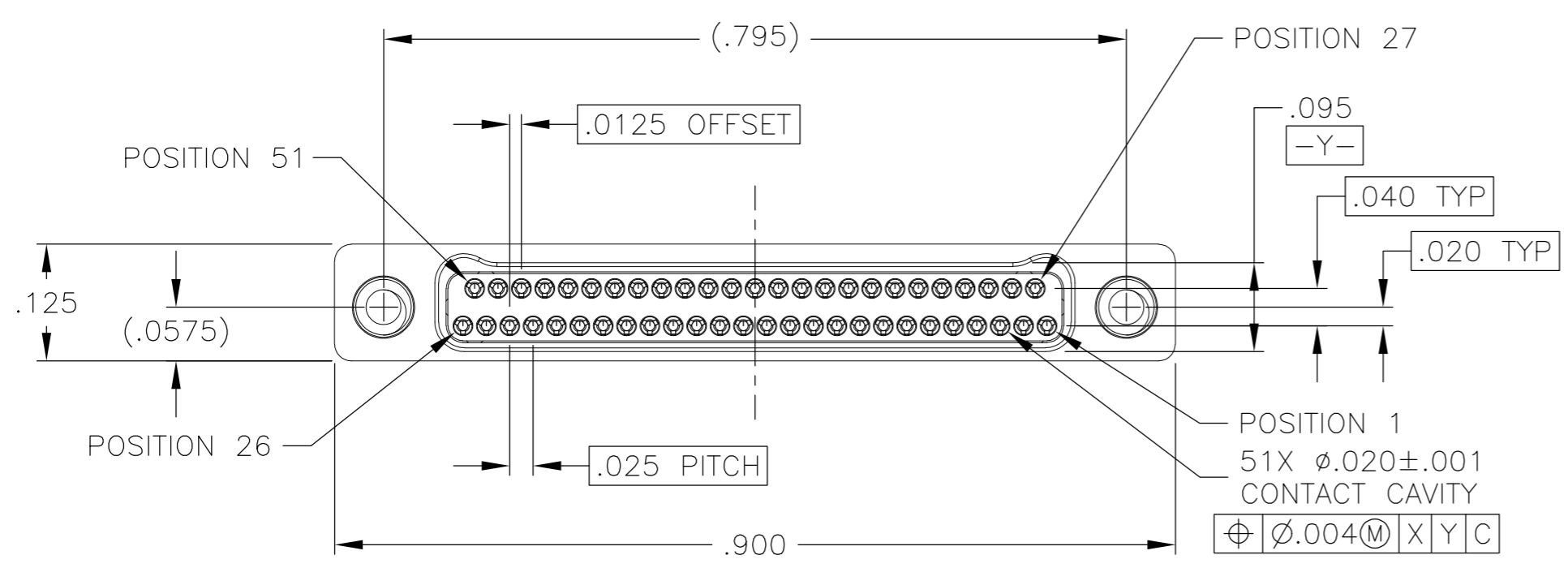
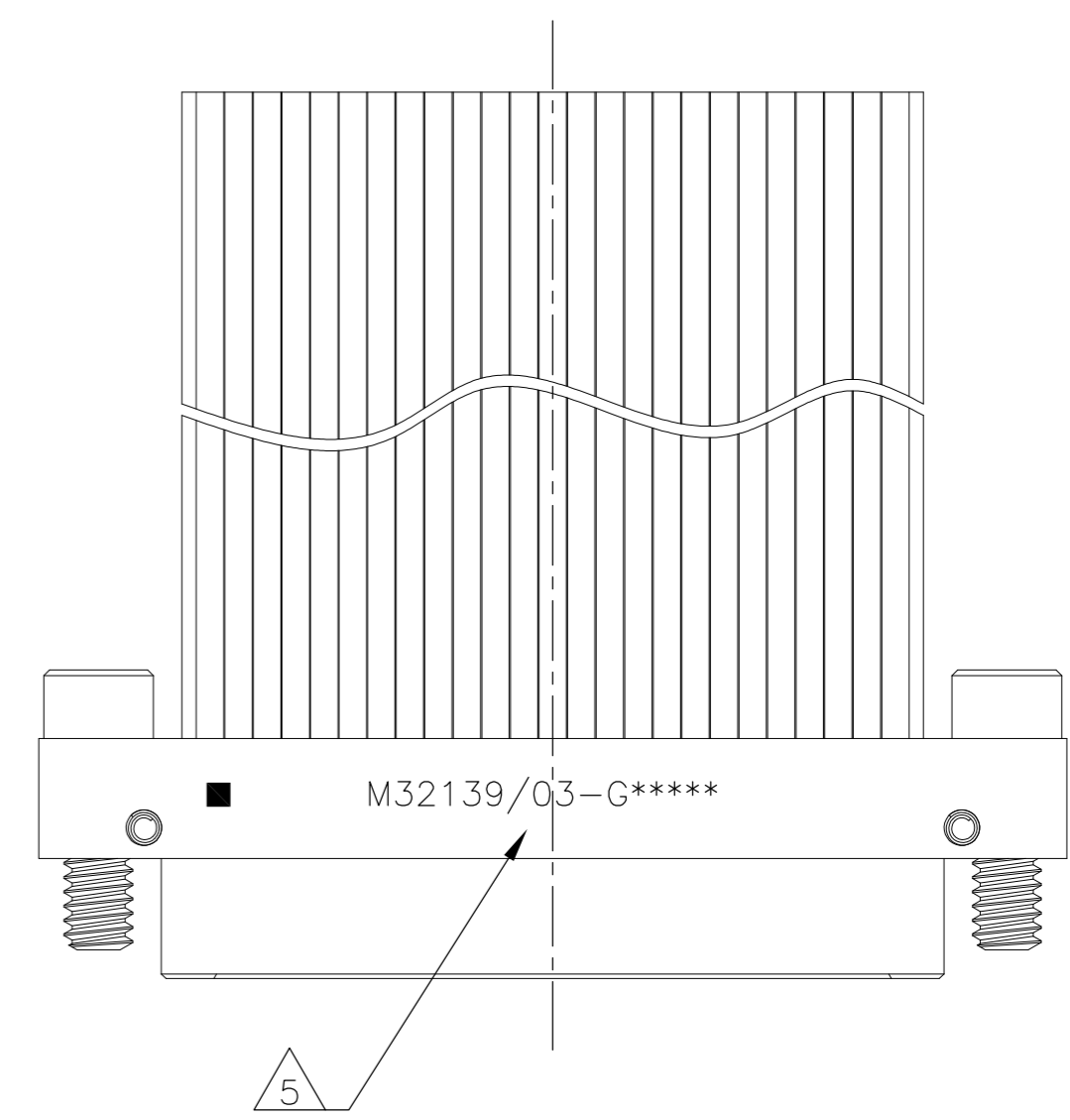


THIS DRAWING IS UNPUBLISHED. RELEASED FOR PUBLICATION
 © COPYRIGHT - By - ALL RIGHTS RESERVED.

LOC		DIST		REVISIONS			
P	LTR	DESCRIPTION		DATE	DWN	APVD	
B		REV PER ECO 15-007382		5-18-15	CT	RL	



JACKSCREWS OMITTED FOR CLARITY



1 ALL DIMENSIONS, MATERIALS, AND FINISHES ARE IN ACCORDANCE WITH MIL-DTL-32139 AND MIL-DTL-32139/3
 2 SEE SHEET 2 FOR MIL-DTL-32139 PIN (PART IDENTIFYING NUMBER) AND CORRESPONDING TE PART NUMBERS



- 3 INSULATOR SHALL BE FLUSH WITH THE SHELL TO WITHIN ±.004
- 4 WIRE TYPE DEFINED BY MIL-DTL-32139/3
- 5 CONNECTOR SHALL BE MARKED IN ACCORDANCE WITH METHOD I OF MIL-STD-1285. MARKING SHALL CONTAIN THE MILITARY PIN AND POSITION 1 INDICATED BY AN IDENTIFIABLE MARK, LOCATED APPROXIMATELY AS SHOWN ON THE POSITION 1 SIDE OF THE CONNECTOR FLANGE. TEXT HEIGHT SHALL BE .035 INCH MINIMUM.
- 6 CONNECTOR SHALL BE MARKED IN ACCORDANCE WITH METHOD I OF MIL-STD-1285. MARKING SHALL CONTAIN TE, CAGE CODE AND DATE CODE. EXAMPLE: TE OPJN9 YYWW (WHERE YYWW IS THE DATE CODE). TEXT HEIGHT SHALL BE .035 INCH MINIMUM.

THIS DRAWING IS A CONTROLLED DOCUMENT.		DWN C SCHOLL 16 AUG 10		
		CHK M STORRY 16 AUG 10		
DIMENSIONS: INCHES		TOLERANCES UNLESS OTHERWISE SPECIFIED:		NAME
		0 PLC ± -	1 PLC ± -	PRODUCT SPEC
		2 PLC ± -	3 PLC ± .005	APPLICATION SPEC
		4 PLC ± -	ANGLES ± 2°	
		MATERIAL SEE NOTES		FINISH SEE NOTES
		WEIGHT		A2 OPJN9 C=1925220
		CUSTOMER DRAWING		SCALE 6:1 SHEET 1 of 2 REV B

1925220

THIS DRAWING IS UNPUBLISHED. RELEASED FOR PUBLICATION
 © COPYRIGHT - By - ALL RIGHTS RESERVED.

LOC		DIST		REVISIONS			
P	LTR	DESCRIPTION	DATE	DWN	APVD		
-	-	SEE SHEET 1	-	-	-		

PART NUMBER CROSS REFERENCE			
TE P/N	L DIM 	MIL SPEC PIN 	NANONICS P/N
1925220-1	6	M32139/03-G01SNS	TMN2N051PC2DX006S
1925220-2	6	M32139/03-G01SSS	TMN2S051PC2DX006S
1925220-3	18	M32139/03-G02SNS	TMN2N051PC2DX018S
1925220-4	18	M32139/03-G02SSS	TMN2S051PC2DX018S
1925220-5	36	M32139/03-G03SNS	TMN2N051PC2DX036S
1925220-6	36	M32139/03-G03SSS	TMN2S051PC2DX036S
1925220-7	6	M32139/03-G04SNS	TMN2N051PC2DM006S
1925220-8	6	M32139/03-G04SSS	TMN2S051PC2DM006S
1925220-9	18	M32139/03-G05SNS	TMN2N051PC2DM018S
1-1925220-0	18	M32139/03-G05SSS	TMN2S051PC2DM018S
1-1925220-1	36	M32139/03-G06SNS	TMN2N051PC2DM036S
1-1925220-2	36	M32139/03-G06SSS	TMN2S051PC2DM036S
1-1925220-3	6	M32139/03-G07SNS	TMN2N051PC2DT006S
1-1925220-4	6	M32139/03-G07SSS	TMN2S051PC2DT006S
1-1925220-5	18	M32139/03-G08SNS	TMN2N051PC2DT018S
1-1925220-6	18	M32139/03-G08SSS	TMN2S051PC2DT018S
1-1925220-7	36	M32139/03-G09SNS	TMN2N051PC2DT036S
1-1925220-8	36	M32139/03-G09SSS	TMN2S051PC2DT036S
1-1925220-9	6	M32139/03-G10SNS	TMN2N051PC2TM006S
2-1925220-0	6	M32139/03-G10SSS	TMN2S051PC2TM006S
2-1925220-1	18	M32139/03-G11SNS	TMN2N051PC2TM018S
2-1925220-2	18	M32139/03-G11SSS	TMN2S051PC2TM018S
2-1925220-3	36	M32139/03-G12SNS	TMN2N051PC2TM036S
2-1925220-4	36	M32139/03-G12SSS	TMN2S051PC2TM036S

2-1925220-5	6	M32139/03-G13SNS	TMN2N051PC2CX006S
2-1925220-6	6	M32139/03-G13SSS	TMN2S051PC2CX006S
2-1925220-7	18	M32139/03-G14SNS	TMN2N051PC2CX018S
2-1925220-8	18	M32139/03-G14SSS	TMN2S051PC2CX018S
2-1925220-9	36	M32139/03-G15SNS	TMN2N051PC2CX036S
3-1925220-0	36	M32139/03-G15SSS	TMN2S051PC2CX036S
3-1925220-1	6	M32139/03-G16SNS	TMN2N051PC2CM006S
3-1925220-2	6	M32139/03-G16SSS	TMN2S051PC2CM006S
3-1925220-3	18	M32139/03-G17SNS	TMN2N051PC2CM018S
3-1925220-4	18	M32139/03-G17SSS	TMN2S051PC2CM018S
3-1925220-5	36	M32139/03-G18SNS	TMN2N051PC2CM036S
3-1925220-6	36	M32139/03-G18SSS	TMN2S051PC2CM036S

TMN X X XXX XX X XX XXX X

CLASS
M32139




ROW
2 2 ROW

FINISH
N ELECTROLESS NICKEL
S STAINLESS STEEL

POSITION
051 51 POSITION




HARDWARE/THREADS
S 0-80 JACKSCREW, CAPTIVATED (PLUGS)


CONDUCTOR LENGTH
006 SIX INCHES
018 EIGHTEEN INCHES
036 THIRTY SIX INCHES

CONDUCTOR TYPE
DX WHITE PTFE PER NEMA HP3-ETXBBB9
DM COLOR CODED PTFE PER MIL-STD-681, SYSTEM 1 
DT WHITE ETFE PER M22759/33-30-9
TM COLOR CODED ETFE PER MIL-STD-681, SYSTEM 1 
CX WHITE COMPOSITE/PTFE PER DSCC 04047-30A-9
CM COLOR CODED COMPOSITE/PTFE PER MIL-STD-681, SYSTEM 1 

CONDUCTOR SIZE/STRANDS
2 30AWG 7 STRAND

CONFIGURATION
PC PLUG

-  THE FINAL 'S' IN THE MIL-SPEC PIN SIGNIFIES THAT THE CONNECTOR IS "SPACE CLASS". OMITTING THIS CHARACTER WILL YIELD THE SAME CORRESPONDING TE AND NANONICS PART NUMBERS.
-  THE COLOR CODE SHALL ONLY INCLUDE THE 10 SOLID COLORS IN REPEATING SEQUENCE.
-  PRELIMINARY PARTS - NOT RELEASED FOR PRODUCTION

THIS DRAWING IS A CONTROLLED DOCUMENT.		DWN C SCHOLL 16 AUG 10	 TE Connectivity	
DIMENSIONS: INCHES		CHK M STORRY 16 AUG 10		
TOLERANCES UNLESS OTHERWISE SPECIFIED:		APVD -	NAME PLUG ASSEMBLY, TWO ROW, FLYING LEADS, PER MIL-DTL-32139/3, SIZE 51	
0 PLC ± - 1 PLC ± - 2 PLC ± - 3 PLC ± - 4 PLC ± - ANGLES ± -		PRODUCT SPEC -	SIZE A2	
MATERIAL -		APPLICATION SPEC -	CAGE CODE 0PJN9	DRAWING NO 1925220
FINISH -		WEIGHT -	RESTRICTED TO -	SCALE 6:1
		CUSTOMER DRAWING	SHEET 2 of 2	REV B

单击下面可查看定价，库存，交付和生命周期等信息

[>>TE Connectivity\(泰科\)](#)