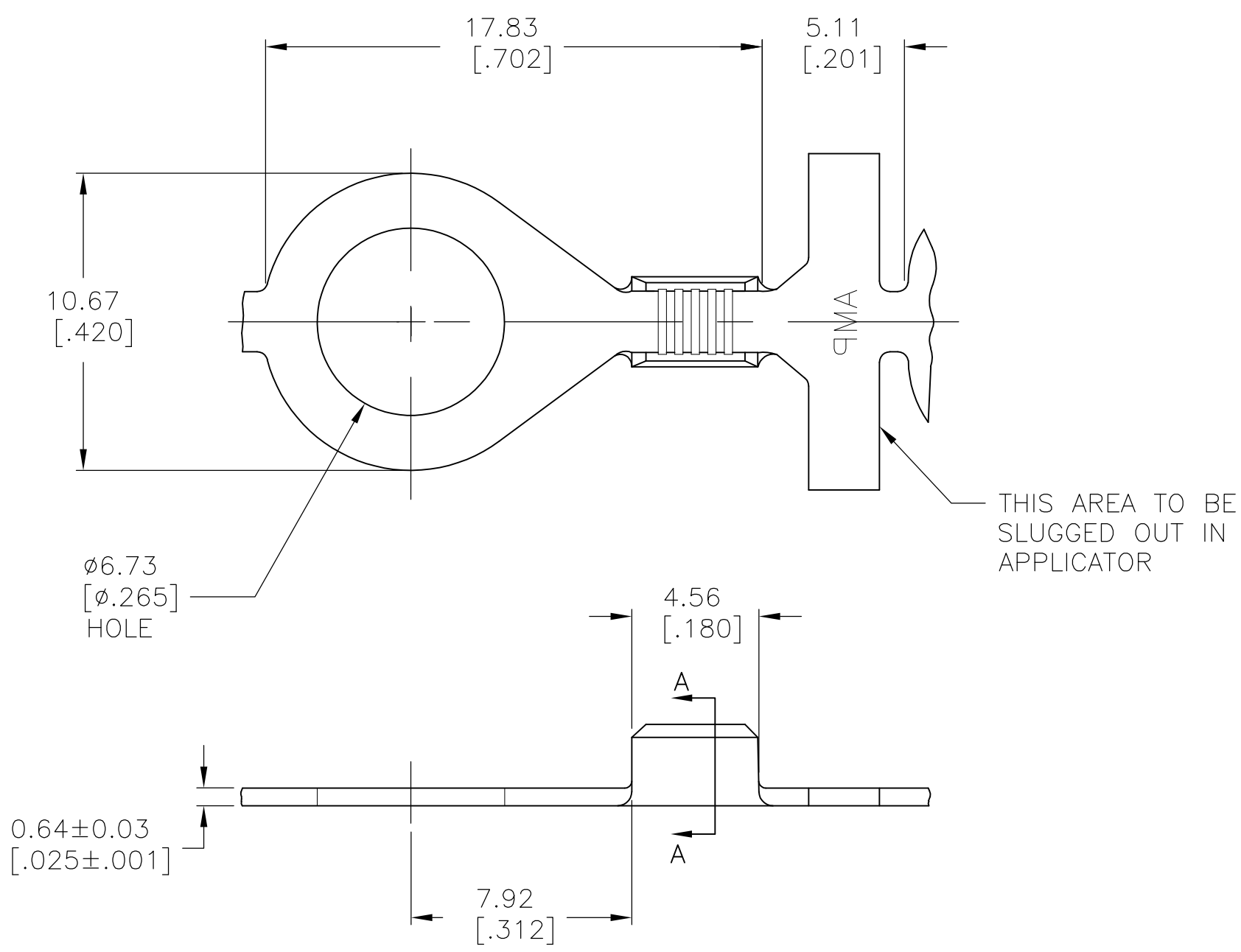
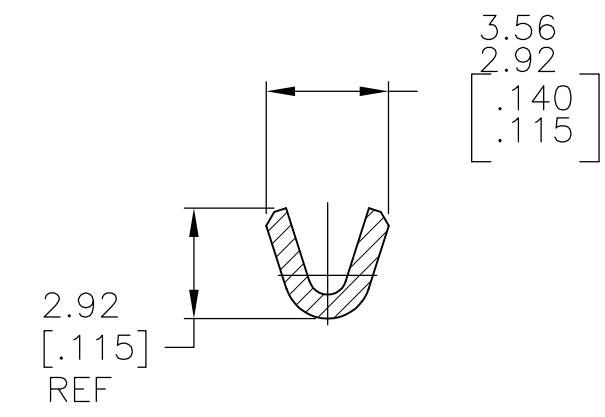


THIS DRAWING IS UNPUBLISHED. RELEASED FOR PUBLICATION  
 © COPYRIGHT - By TYCO ELECTRONICS CORPORATION. ALL RIGHTS RESERVED.

LOC	DIST	REVISIONS			
P	LTR	DESCRIPTION	DATE	DWN	APVD
	B	REVISE PER ECR-13-013738	15FEB2014	GRZ	JL



- 1 AMPLIVAR SERRATIONS PERMIT CRIMPING OF MAGNET WIRE WITHOUT PRE-STRIPPING COATING
- 2 CONTINUOUS STRIP ON REELS.



1/4	0.66-1.14 mm DIA	22-18	62835-1
STUD SIZE	INSULATION RANGE	WIRE RANGE	PART NO

THIS DRAWING IS A CONTROLLED DOCUMENT.		DWN RAGHAVENDRA 05MAR09	<b>STE</b> TE Connectivity	
DIMENSIONS: mm [INCHES]		CHK JEFF RUTH 05MAR09		
TOLERANCES UNLESS OTHERWISE SPECIFIED:		APVD DON DECKER 05MAR09	NAME	
0 PLC ± - 1 PLC ± - 2 PLC ± - 3 PLC ± 0.38 [.015] 4 PLC ± - ANGLES ±		PRODUCT SPEC	AMPLIVAR RING	
MATERIAL BRASS		FINISH TIN	APPLICATION SPEC	RESTRICTED TO
		WEIGHT -	SIZE A3	CAGE CODE 00779
		CUSTOMER DRAWING	DRAWING NO C-62835	RESTRICTED TO -
		SCALE 5:1	SHEET 1 OF 1	REV B

单击下面可查看定价，库存，交付和生命周期等信息

[>>TE Connectivity\(泰科\)](#)