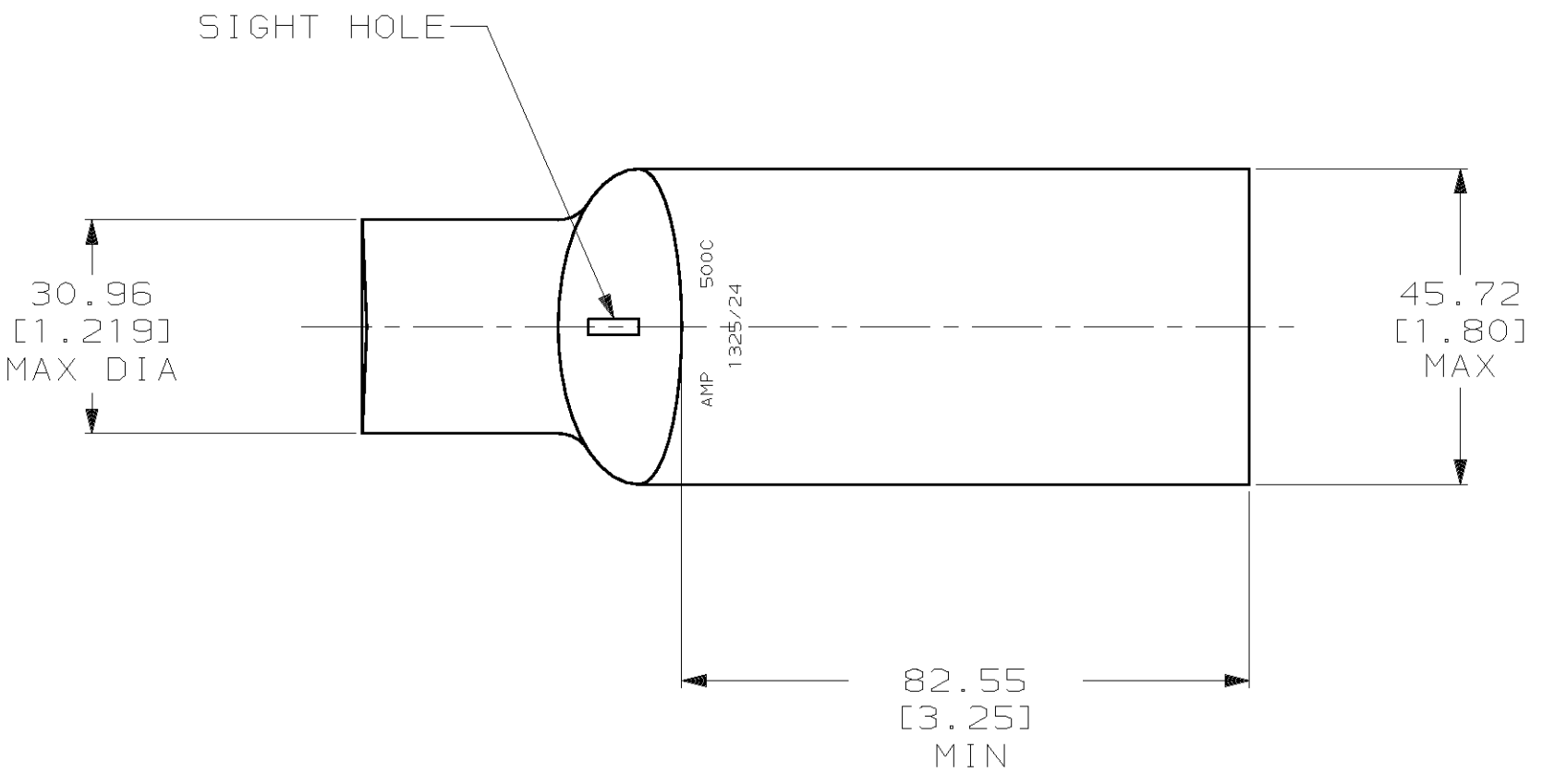
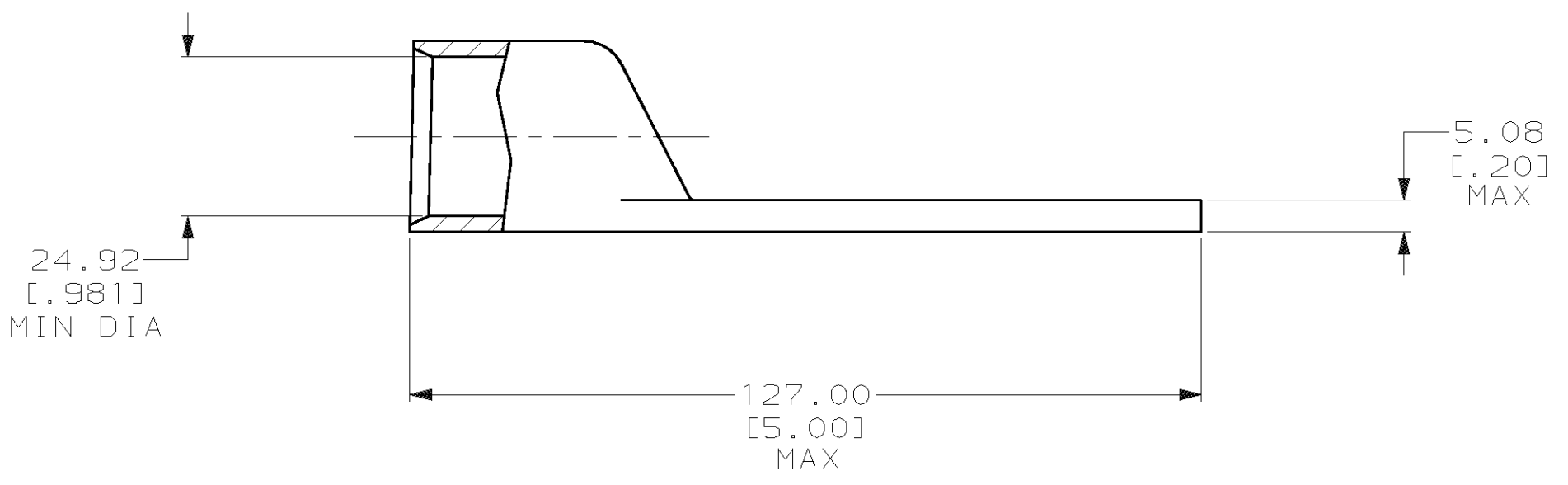


THIS DRAWING IS UNPUBLISHED. RELEASED FOR PUBLICATION, 19 .
 © COPYRIGHT 19 BY AMP INCORPORATED. ALL INTERNATIONAL RIGHTS RESERVED.

LOC	DIST	P	F	ZONE	LTR	DESCRIPTION	DATE	APPD
G	86					5 REV PER 063A-0561-01	08OCT02	JR MS



1 CIRCULAR MIL RANGE: 450-550 MCM



326117

326117

PART NO

DO NOT SCALE PRINT. UNLESS SPECIFIED DIMENSIONS IN mm [INCHES] TOLERANCES ON : 2 PLC DEC ± 0.51 [.020] 3 PLC DEC ± - ANGLES ± -		DR 03/16/90 DK SCHRUM	AMP Incorporated Harrisburg, PA 17105-3608
MATERIAL COPPER ASTM B-75 ANNEALED	CHK 8/10/92 AJ KAUFMAN	APPD 8/10/92 WJ VOCKROTH	
FINISH TIN PLATE 0.00381 [.000150] MIN THK PER MIL-T-10727	APPD 8/10/92 CR RHOADS	PRODUCT SPEC -	SIZE C 00779
THIS DRAWING IS A CONTROLLED DOCUMENT FOR AMP INCORPORATED. IT IS SUBJECT TO CHANGE AND THE CONTROLLING ENGINEERING ORGANIZATION SHOULD BE CONTACTED FOR THE LATEST REVISION.	APPLICATION SPEC -	WEIGHT -	DRAWING NO C-326117
			SCALE 1:1
			SHEET 1 OF 1

单击下面可查看定价，库存，交付和生命周期等信息

[>>TE Connectivity\(泰科\)](#)