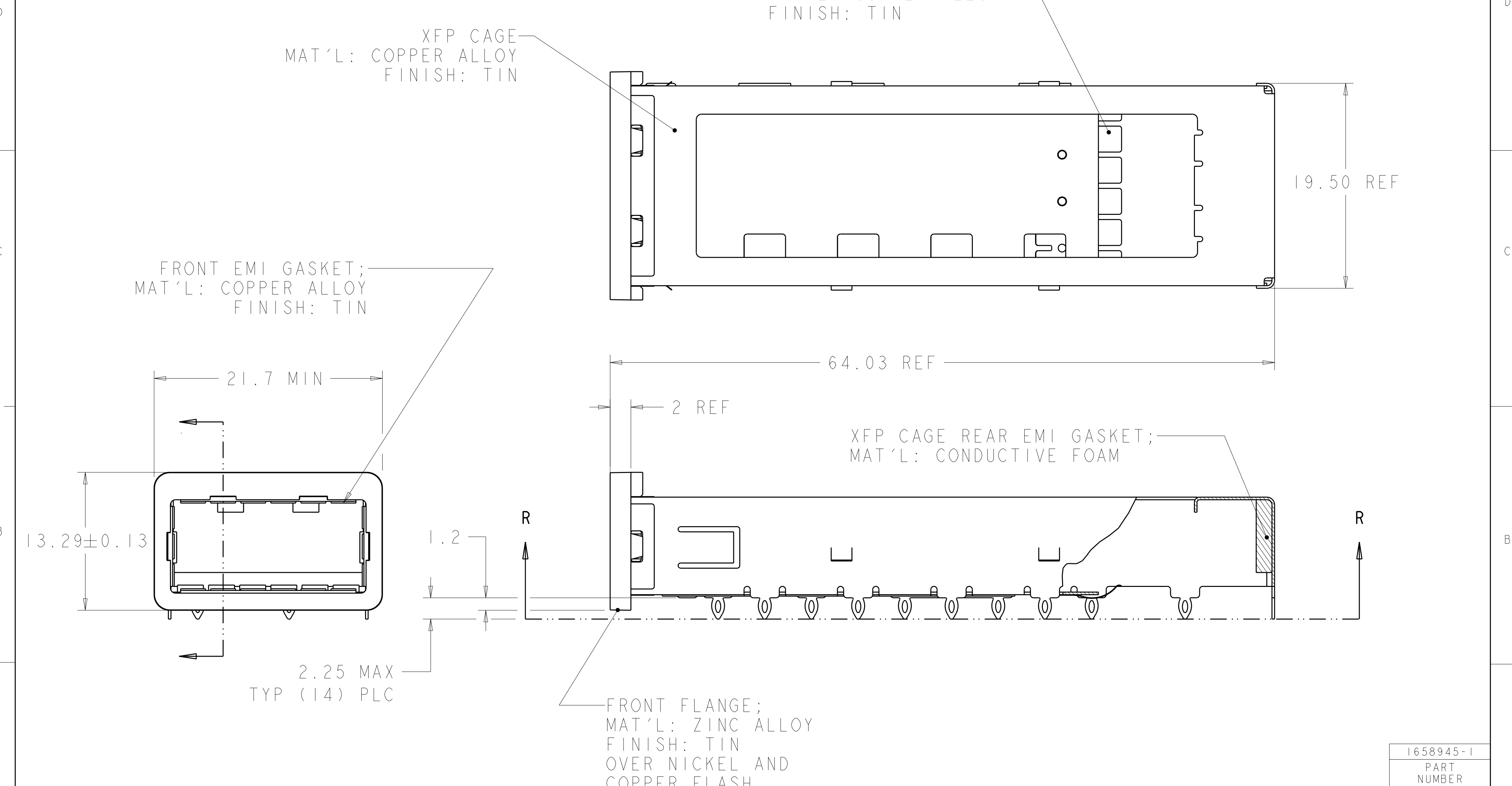


THIS DRAWING IS UNPUBLISHED. RELEASED FOR PUBLICATION 20
 © COPYRIGHT 20 BY TYCO ELECTRONICS CORPORATION. ALL INTERNATIONAL RIGHTS RESERVED.

LOC	DIST	REVISIONS			
P	LTR	DESCRIPTION	DATE	DWN	APVD
ES	00				
	A1	REVISED ECR-08-009797	23MAY08	AZ	SY
	B	REVISED PER ECO-11-005032	11MAR2011	JY	CW

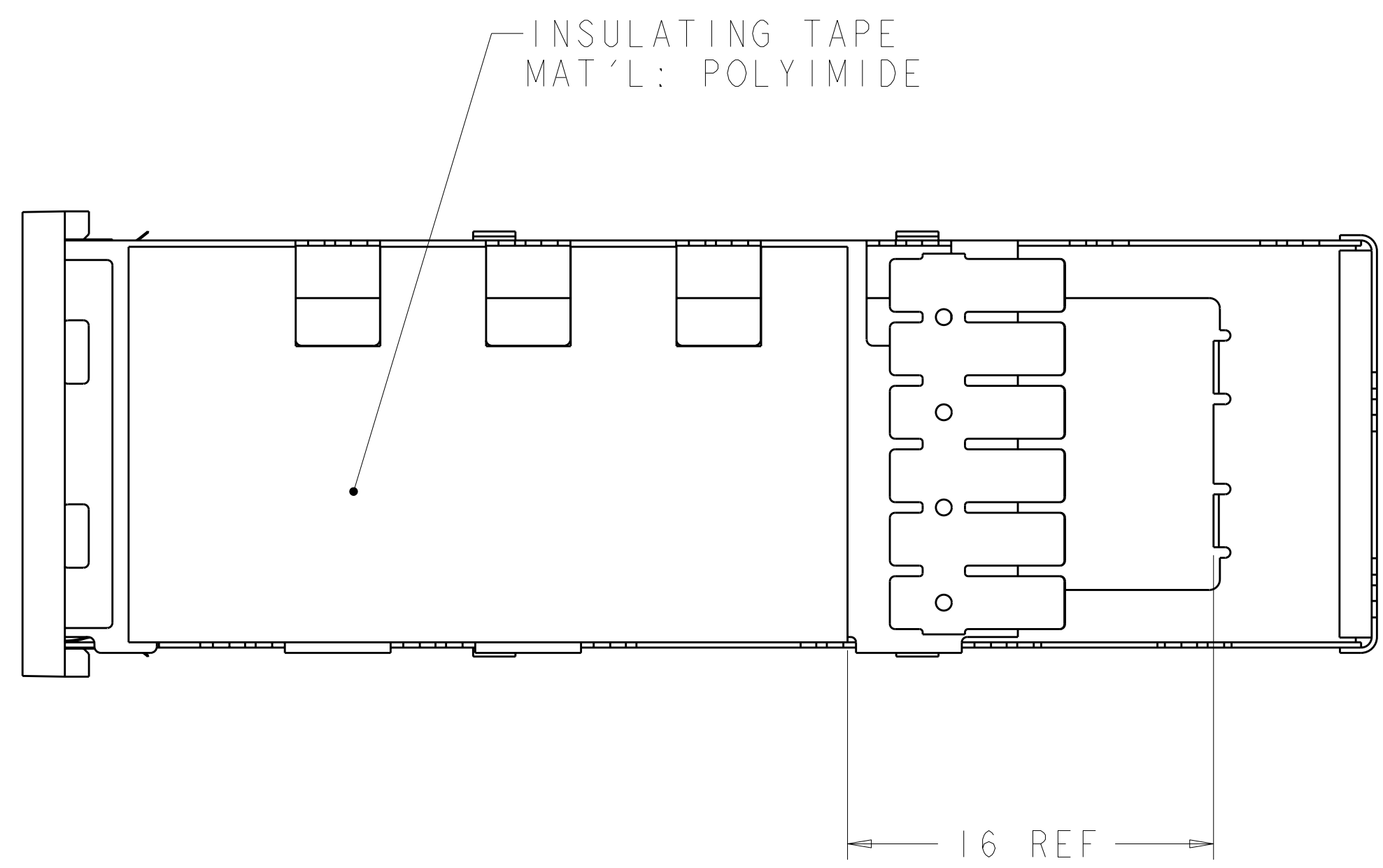


1658945-1
 PART
 NUMBER

THIS DRAWING IS A CONTROLLED DOCUMENT FOR TYCO ELECTRONICS CORPORATION IT IS SUBJECT TO CHANGE AND THE CONTROLLING ENGINEERING ORGANIZATION SHOULD BE CONTACTED FOR THE LATEST REVISION.		DWN D. STAHL 20NOV03	Tyco Electronics Shanghai, China	
DIMENSIONS: mm		CHK E. BRIGHT 20NOV03	NAME ASSEMBLY, XFP CAGE WITHOUT ELASTOMERIC GASKET	
TOLERANCES UNLESS OTHERWISE SPECIFIED:		APVD E. BRIGHT 20NOV03	PRODUCT SPEC 108-2127	
0 PLC ±		APPLICATION SPEC 114-13096	RESTRICTED TO	
1 PLC ±.1		WEIGHT	SIZE A200779	CAGE CODE C-1658945
2 PLC ±.05		CUSTOMER DRAWING	SCALE 4	SHEET 1 OF 4
3 PLC ±.005			REV B	
4 PLC ±.0001				
ANGLES				
FINISH				

THIS DRAWING IS UNPUBLISHED. RELEASED FOR PUBLICATION 20
 © COPYRIGHT 20 BY TYCO ELECTRONICS CORPORATION. ALL INTERNATIONAL RIGHTS RESERVED.

LOC	DIST	REVISIONS			
P	LTR	DESCRIPTION	DATE	DWN	APVD
ES	00	-	SEE SHEET 1	-	-



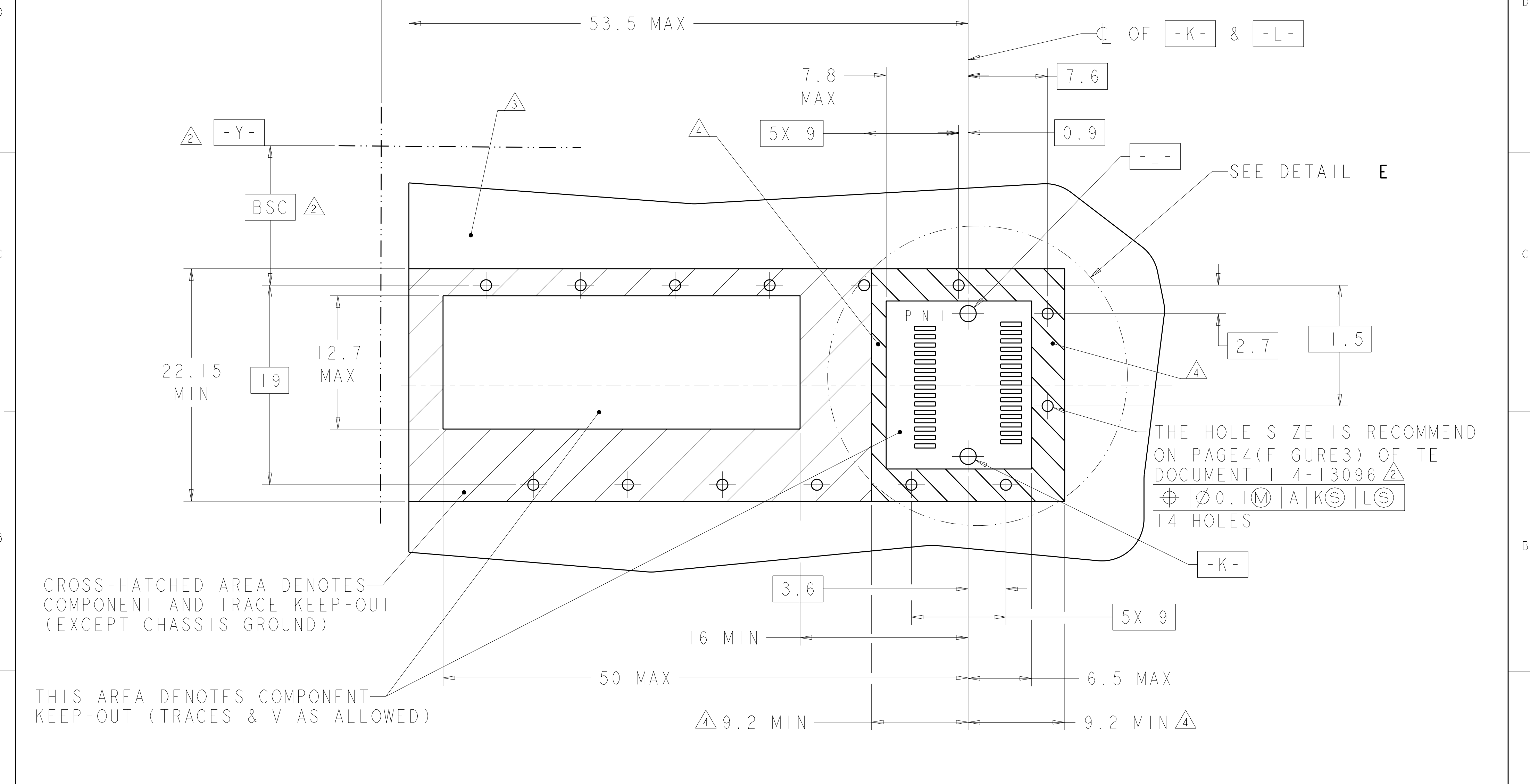
VIEW R - R

- ① MATES WITH XFP-MSA COMPLIANT TRANSCEIVERS.
- ② DATUM -X- AND -Y- ESTABLISHED BY CUSTOMER.
- ③ DATUM -A- IS TOP SURFACE OF HOST BOARD.
- ④ INDICATED SURFACES TO BE CONDUCTIVE AND CONNECTED TO CHASSIS GROUND.

<small>THIS DRAWING IS A CONTROLLED DOCUMENT FOR TYCO ELECTRONICS CORPORATION. IT IS SUBJECT TO CHANGE AND THE CONTROLLING ENGINEERING ORGANIZATION SHOULD BE CONTACTED FOR THE LATEST REVISION.</small>		DWN D. STAHL 20NOV03 CHK E. BRIGHT 20NOV03 APVD E. BRIGHT 20NOV03	Tyco Electronics Shanghai, China
DIMENSIONS: mm 	TOLERANCES UNLESS OTHERWISE SPECIFIED: 0 PLC ±.1 1 PLC ±.1 2 PLC ±.05 3 PLC ±.005 4 PLC ±.0001 ANGLES ±. FINISH	PRODUCT SPEC 108-2127 APPLICATION SPEC 114-13096 WEIGHT -	NAME ASSEMBLY, XFP CAGE WITHOUT ELASTOMERIC GASKET SIZE A200779 CAGE CODE C-1658945 DRAWING NO 1658945 RESTRICTED TO -
MATERIAL -		CUSTOMER DRAWING	
		SCALE 4	SHEET 2 OF 4 REV B

THIS DRAWING IS UNPUBLISHED. RELEASED FOR PUBLICATION 20
 © COPYRIGHT 20 BY TYCO ELECTRONICS CORPORATION. ALL INTERNATIONAL RIGHTS RESERVED.

LOC	DIST	REVISIONS			
P	LTR	DESCRIPTION	DATE	DWN	APVD
ES	00	SEE SHEET 1	-	-	-



CROSS-HATCHED AREA DENOTES COMPONENT AND TRACE KEEP-OUT (EXCEPT CHASSIS GROUND)

THIS AREA DENOTES COMPONENT KEEP-OUT (TRACES & VIAS ALLOWED)

THE HOLE SIZE IS RECOMMEND ON PAGE 4 (FIGURE 3) OF TE DOCUMENT 114-13096

Ø	0.1 (M)	A	K (S)	L (S)
---	---------	---	-------	-------

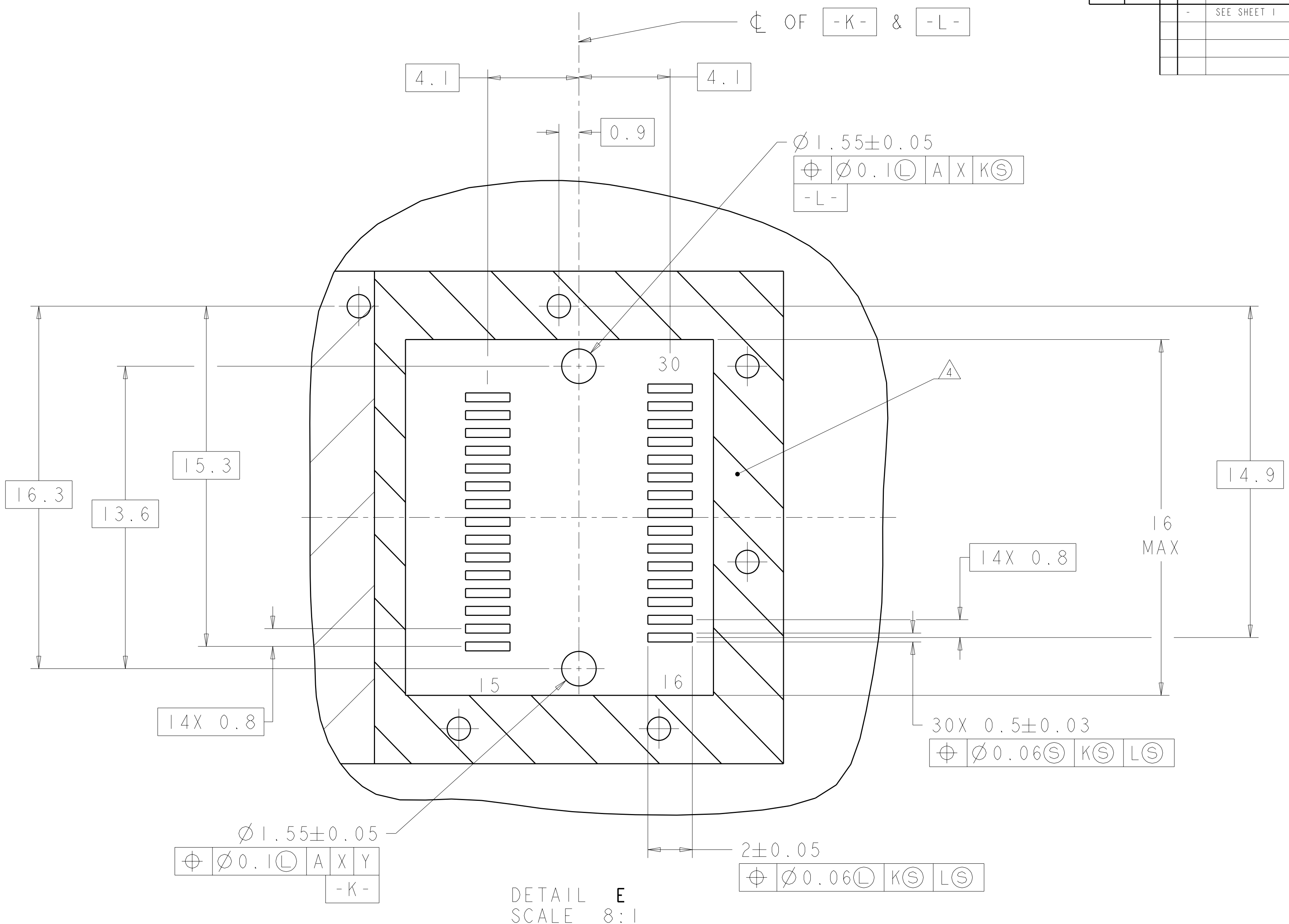
 14 HOLES

DETAILED HOST BOARD MECHANICAL LAYOUT

<small>THIS DRAWING IS A CONTROLLED DOCUMENT FOR TYCO ELECTRONICS CORPORATION. IT IS SUBJECT TO CHANGE AND THE CONTROLLING ENGINEERING ORGANIZATION SHOULD BE CONTACTED FOR THE LATEST REVISION.</small>		DWN D. STAHL 20NOV03 CHK E. BRIGHT 20NOV03 APVD E. BRIGHT 20NOV03	Tyco Electronics Tyco Electronics Shanghai, China
DIMENSIONS: mm 	TOLERANCES UNLESS OTHERWISE SPECIFIED: 0 PLC ±. 1 PLC ±.1 2 PLC ±.05 3 PLC ±.005 4 PLC ±.0001 ANGLES ±. FINISH ±.	PRODUCT SPEC 108-2127 APPLICATION SPEC 114-13096 WEIGHT -	NAME ASSEMBLY, XFP CAGE WITHOUT ELASTOMERIC GASKET SIZE CAGE CODE DRAWING NO RESTRICTED TO A200779 C-1658945 -
MATERIAL -		CUSTOMER DRAWING	SCALE 4 SHEET 3 OF 4 REV B

THIS DRAWING IS UNPUBLISHED. RELEASED FOR PUBLICATION 20
 © COPYRIGHT 20 BY TYCO ELECTRONICS CORPORATION. ALL INTERNATIONAL RIGHTS RESERVED.

LOC	DIST	REVISIONS					
ES	00	P	LTR	DESCRIPTION	DATE	DWN	APVD
		-		SEE SHEET 1			



$\varnothing 1.55 \pm 0.05$
 $\oplus \varnothing 0.1 \text{ (L) A X Y}$
 -K-

$\varnothing 1.55 \pm 0.05$
 $\oplus \varnothing 0.1 \text{ (L) A X K (S)}$
 -L-

2 ± 0.05
 $\oplus \varnothing 0.06 \text{ (L) K (S) L (S)}$

DETAIL E
 SCALE 8:1

DETAILED HOST BOARD MECHANICAL LAYOUT

THIS DRAWING IS A CONTROLLED DOCUMENT FOR TYCO ELECTRONICS CORPORATION. IT IS SUBJECT TO CHANGE AND THE CONTROLLING ENGINEERING ORGANIZATION SHOULD BE CONTACTED FOR THE LATEST REVISION.		DWN D. STAHL 20NOV03	Tyco Electronics Shanghai, China	
DIMENSIONS: mm		CHK E. BRIGHT 20NOV03	NAME ASSEMBLY, XFP CAGE WITHOUT ELASTOMERIC GASKET	
TOLERANCES UNLESS OTHERWISE SPECIFIED: 0 PLC ±- 1 PLC ±.1 2 PLC ±.05 3 PLC ±.005 4 PLC ±.0001 ANGLES ±- FINISH		APVD E. BRIGHT 20NOV03	RESTRICTED TO	
MATERIAL		PRODUCT SPEC 108-2127	SIZE A200779	
		APPLICATION SPEC 114-13096	DRAWING NO C-1658945	
		WEIGHT	SCALE 4	
		CUSTOMER DRAWING	SHEET 4 OF 4 REV B	

单击下面可查看定价，库存，交付和生命周期等信息

[>>TE Connectivity\(泰科\)](#)