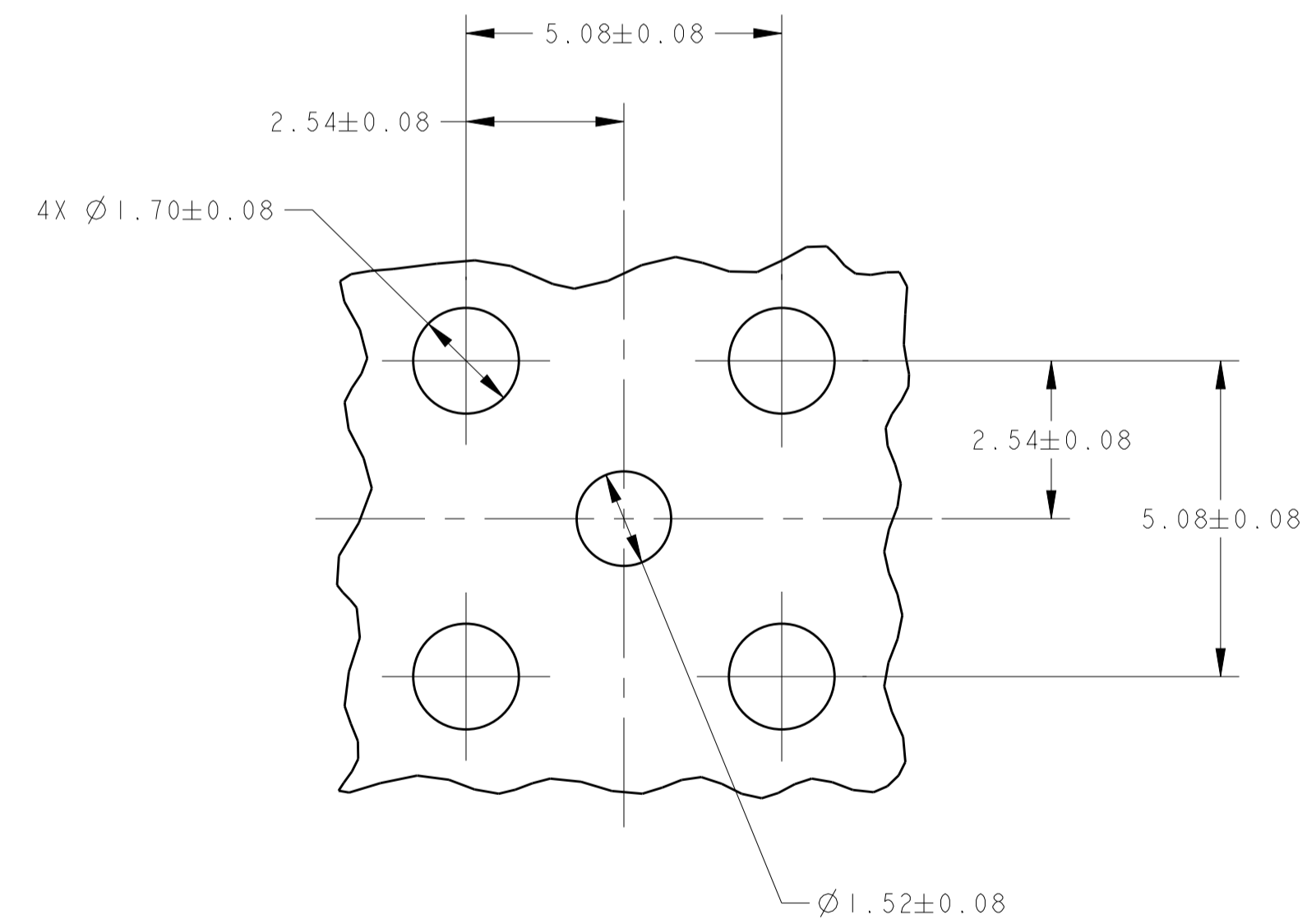
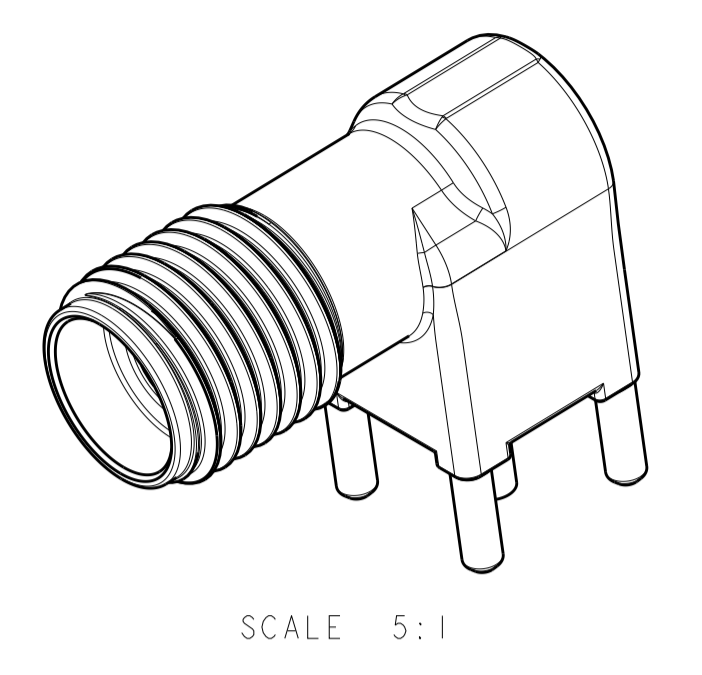
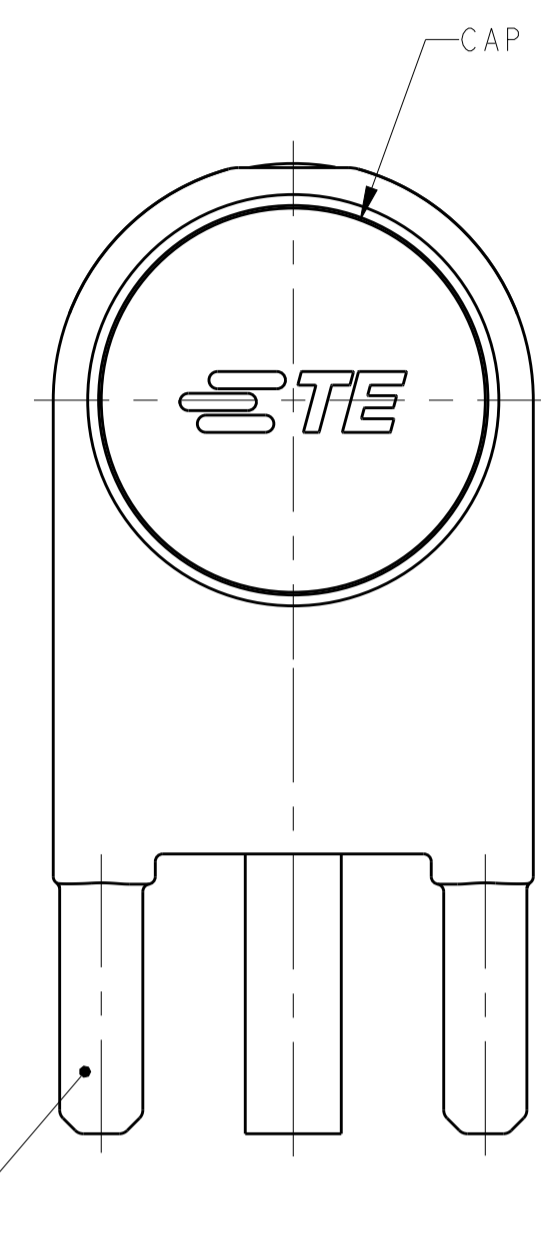
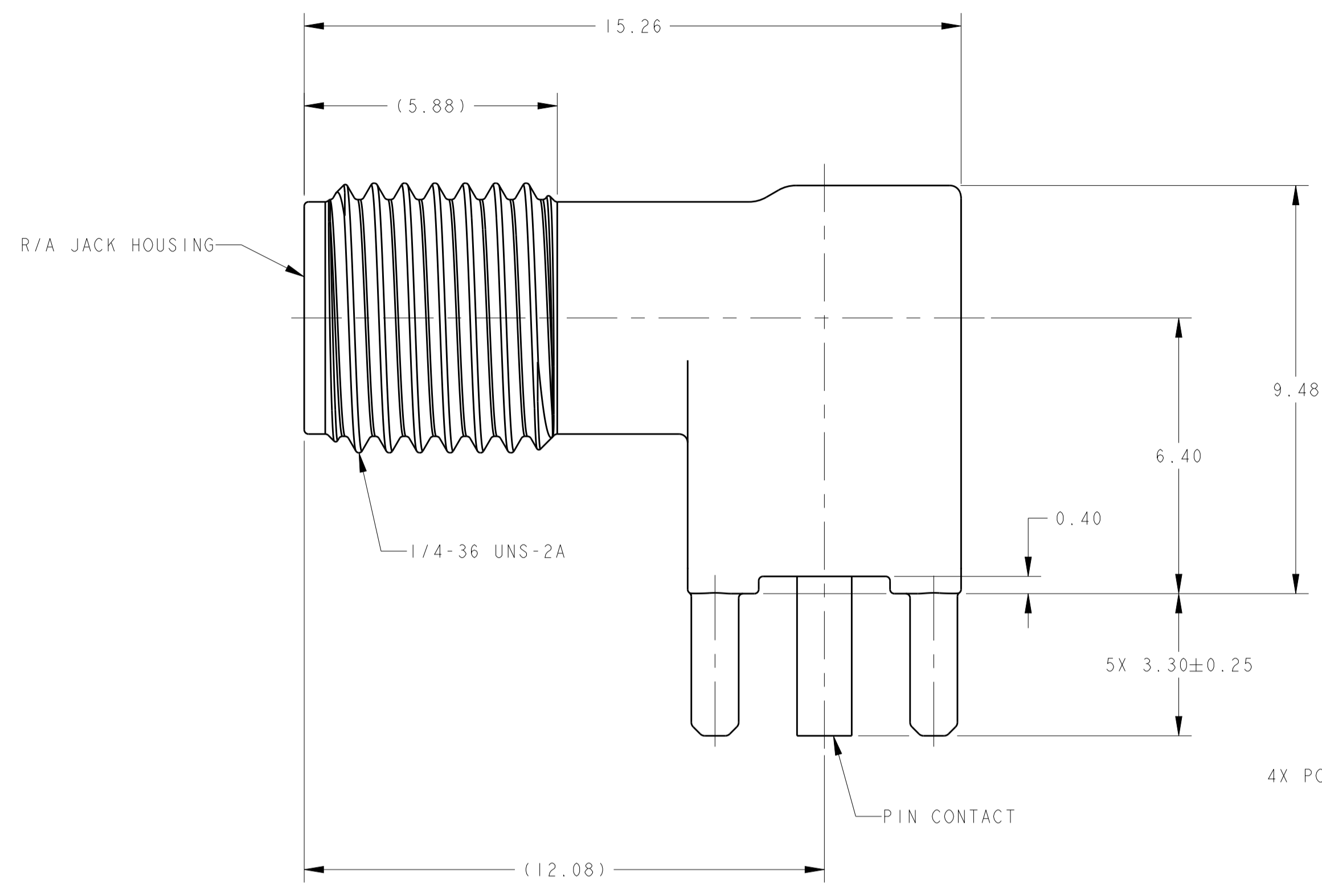
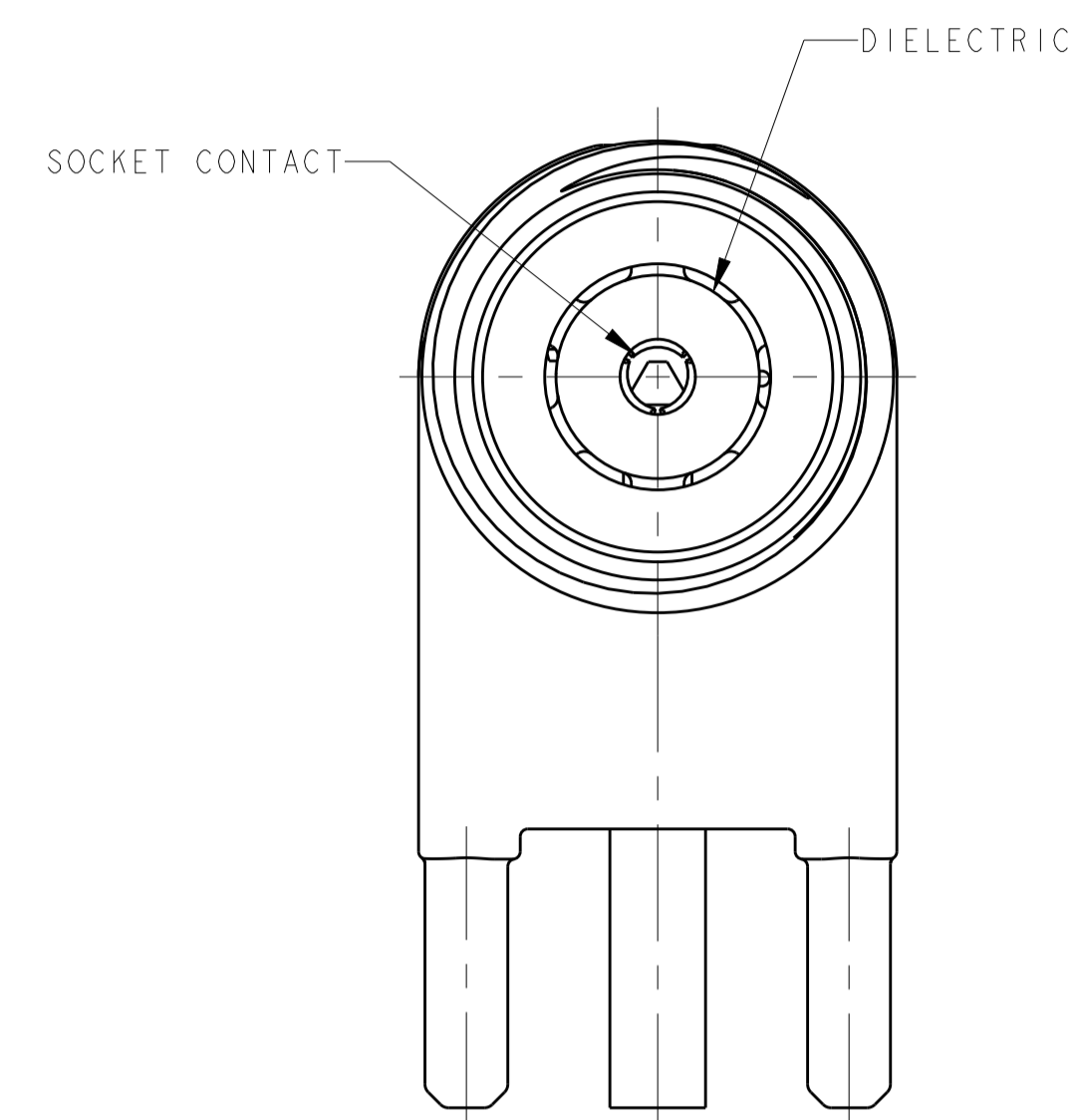
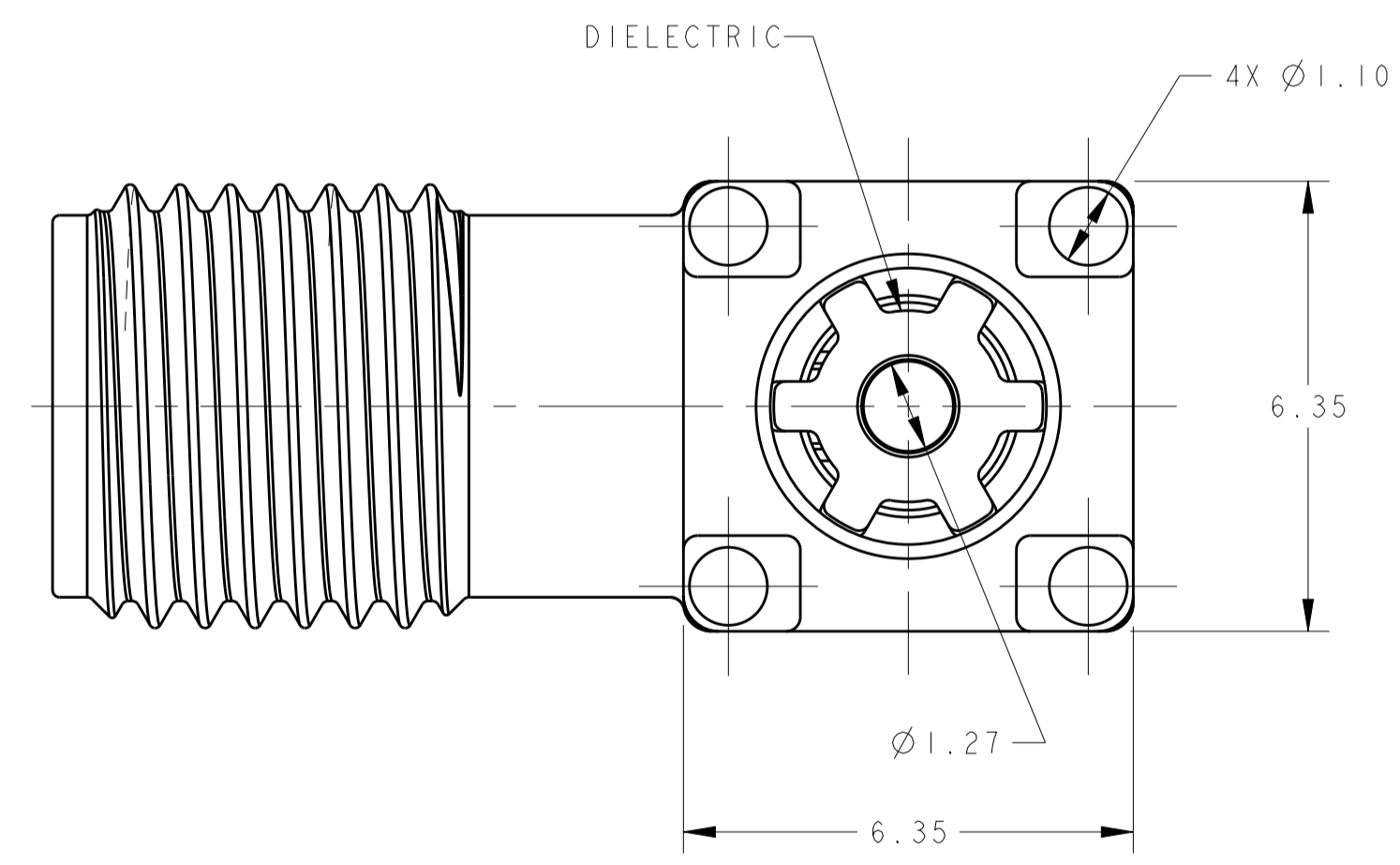


LOC	DIST	REVISIONS					
		P	LTN	DESCRIPTION	DATE	DWN	APVD
AJ	00	A		RELEASED.	11JUN2012	KF	KW
		A1		REVISE PER ECO-13-011420	03JAN2017	LN	RS



RECOMMENDED PCB LAYOUT
SCALE 10:1



- 1 MATERIAL:
R/A JACK HOUSING: ZINC.
DIELECTRIC: POLYMETHYLPENTENE.
SOCKET CONTACT, PIN CONTACT, AND CAP: COPPER ALLOY.
- 2 FINISH:
R/A JACK HOUSING: NICKEL PLATE WITH TINNED PCB POST AREA.
SOCKET CONTACT: SELECTIVE GOLD PLATED AT MATING INTERFACE;
SELECTIVE TIN PLATED AT PIN CONTACT INTERFACE;
NICKEL UNDERPLATED.
PIN CONTACT AND CAP: TIN PLATED.
- 3. THIS PRODUCT IS CAPABLE OF LEAD-FREE WAVE SOLDER PROCESSING.
- 4. ROHS COMPLIANT.

OBSOLETE

TRAY	2081235-2	SMA-JR-P2-T
SINGLE	2081235-1	SMA-JR-P2-S
PACKAGING	PART NUMBER	PART NUMBER (CONFIGURABLE)

THIS DRAWING IS A CONTROLLED DOCUMENT.		DWN	K. FOLTZ	02APR2012
DIMENSIONS:		CHK	K. WEIDNER	02APR2012
mm	0 PLC ±	APVD	K. WEIDNER	02APR2012
	2 PLC ±0.10	NAME		
	3 PLC ±	SMA, PCB, RIGHT ANGLE, JACK ASSEMBLY		
	4 PLC ±	SIZE		
	ANGLES ±1°	A100779C=SMA-JR-P2		
MATERIAL	FINISH	WEIGHT	RESTRICTED TO	
			A100779C=SMA-JR-P2	
CUSTOMER DRAWING		SCALE	10:1	SHEET 1 OF 1

单击下面可查看定价，库存，交付和生命周期等信息

[>>TE Connectivity\(泰科\)](#)