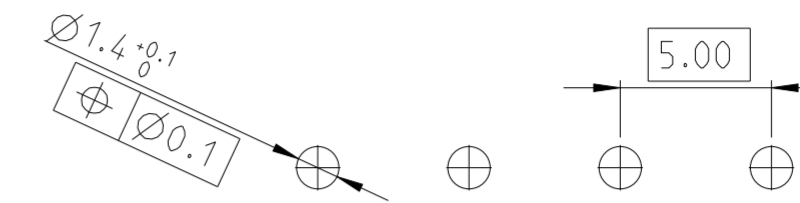
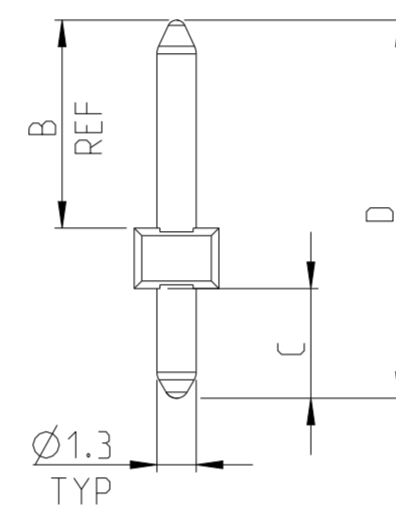
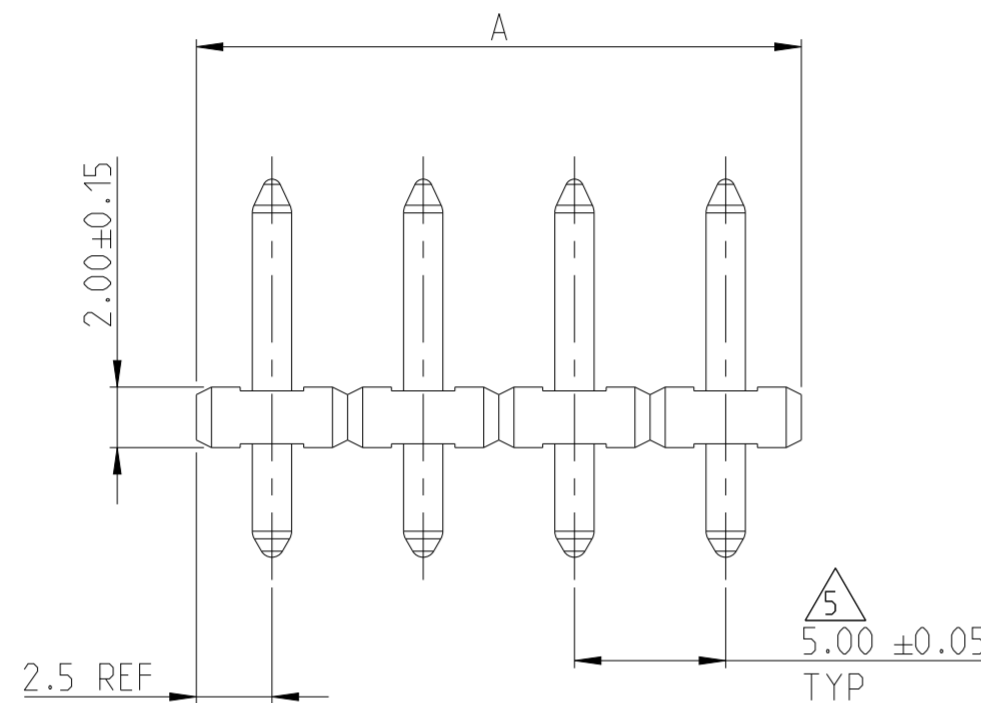
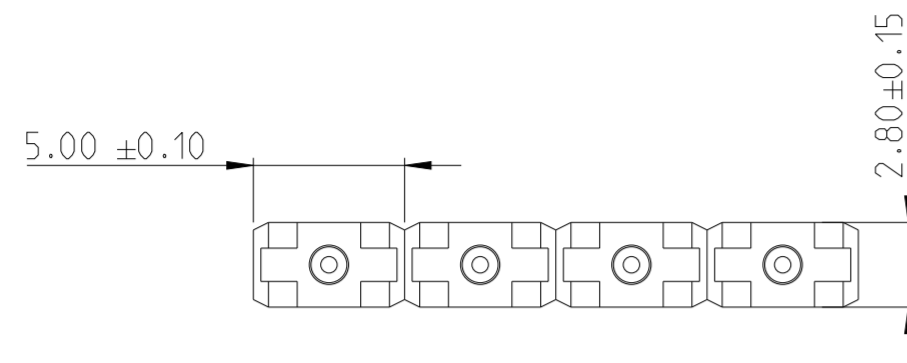
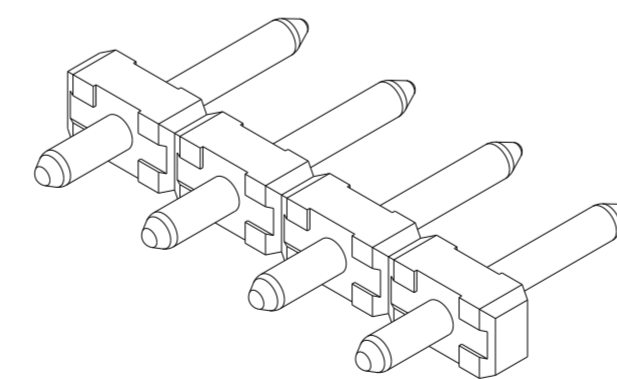


REVISIONS					
P	LTR	DESCRIPTION	DATE	DWN	APVD
H8		PN 3-282832-9 IS RELEASED FOR PRODUCTION	01JUL2019	RK	PS
H9		PART STATUS UPDATED	07JUL2021	SB	SS



RECOMMENDED PC BOARD LAYOUT

TERMINAL PLATING	D	C	B	A	NO OF POSN	PART NUMBER	
OBSOLETE	TIN	20.5	3.5	15.0	45.0	9	<del>4-282832-1</del>
	TIN	20.5	4.5	14.0	30.0	6	4-282832-0
OBSOLETE	TIN	20.5	3.5	15.0	20.0	4	<del>3-282832-9</del>
	TIN	20.5	3.5	15.0	15.0	3	<del>3-282832-8</del>
		16.5	3.5	11.0	20.0	4	3-282832-7
		20.5	4.5	14.0	15.0	3	3-282832-6
OBSOLETE	TIN	21.1		15.6	20.0	4	<del>3-282832-5</del>
					15.0	3	<del>3-282832-4</del>
OBSOLETE	GOLD	16.5		11.0	15.0	3	3-282832-3
					10.0	2	<del>3-282832-2</del>
					15.0	3	<del>2-282832-7</del>
					125.0	25	<del>2-282832-6</del>
					120.0	24	2-282832-5
					115.0	23	<del>2-282832-4</del>
					110.0	22	<del>2-282832-3</del>
OBSOLETE		12.5	3.5	7.0	105.0	21	<del>2-282832-2</del>
					100.0	20	<del>2-282832-1</del>
					95.0	19	<del>2-282832-0</del>
					90.0	18	<del>1-282832-9</del>
					85.0	17	<del>1-282832-8</del>
					80.0	16	1-282832-7
					75.0	15	1-282832-6
					70.0	14	<del>1-282832-5</del>
OBSOLETE	TIN				65.0	13	<del>1-282832-4</del>
		16.5	3.5	11.0	40.0	8	1-282832-3
					60.0	12	1-282832-2
					55.0	11	1-282832-1
					50.0	10	1-282832-0
					45.0	9	282832-9
					40.0	8	282832-8
					35.0	7	282832-7
					30.0	6	282832-6
					25.0	5	282832-5
					20.0	4	282832-4
					15.0	3	282832-3
					10.0	2	282832-2



282832-4 AS SHOWN

- NOTES:
- MATERIALS AND FINISH:  
HOUSING: PA 4T, UL 94-V0, COLOR GREEN  
TERMINAL: COPPER ALLOY, PLATING: SEE TABLE.
  - MECHANICAL  
MIN. PC BOARD HOLES DIAMETER : 1.4mm  
MAX. PC BOARD THICKNESS : 2.4mm
  - ELECTRICAL  
MAX. VOLTAGE : 300 V  
MAX CURRENT : 12 A  
CONTACT RESISTANCE : < 15 m Ohm  
INSULATION RESISTANCE : > 1000 M Ohm (500V DC)
  - OPERATING TEMPERATURE RANGE: -40°C TO +105°C
  - TOLERANCE NOT CUMULATIVE.
  - END-TO-END STACKABLE WITHOUT LOSS OF CENTERLINE SPACING.
  - RECOGNIZED UNDER THE COMPONENT PROGRAM OF UNDERWRITERS LABORATORIES INC. FILE NO E60677.

THIS DRAWING IS A CONTROLLED DOCUMENT.

DIMENSIONS: mm

TOLERANCES UNLESS OTHERWISE SPECIFIED:

0 PLC	±
1 PLC	±0.3
2 PLC	±0.25
3 PLC	±
4 PLC	±
ANGLES	±2°
FINISH	

MATERIAL: SEE NOTES

FINISH: SEE NOTES

APPROVALS:

DWN	E. ZANDLIN	14 AUG 2001
CHK	D. BIEVENOUR	14 AUG 2001
APVD	D. BIEVENOUR	14 AUG 2001

NAME: D. BIEVENOUR

PRODUCT SPEC: -

APPLICATION SPEC: -

WEIGHT: -

CUSTOMER DRAWING

SCALE: 4:1

SHEET: 1 OF 1

REV: H9

TE Connectivity

TERMINAL BLOCK PIN HEADER UNSHROUDED 5.0 mm PITCH

SIZE: A2

CAGE CODE: 100779

DRAWING NO: C-282832

RESTRICTED TO:

单击下面可查看定价，库存，交付和生命周期等信息

[>>TE Connectivity\(泰科\)](#)