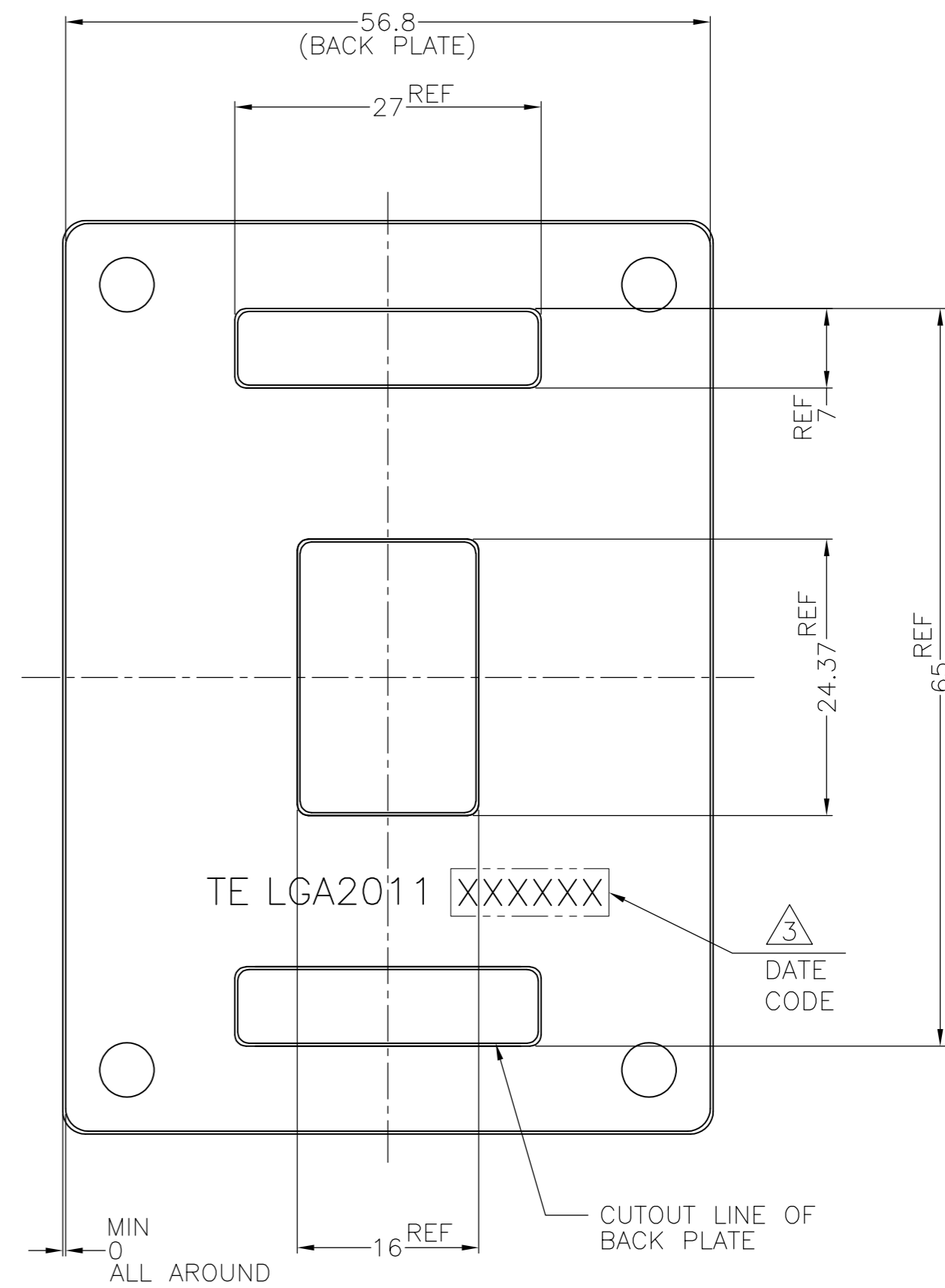
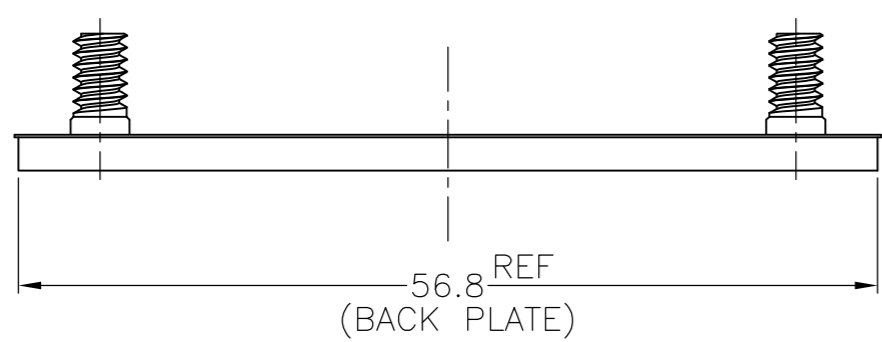
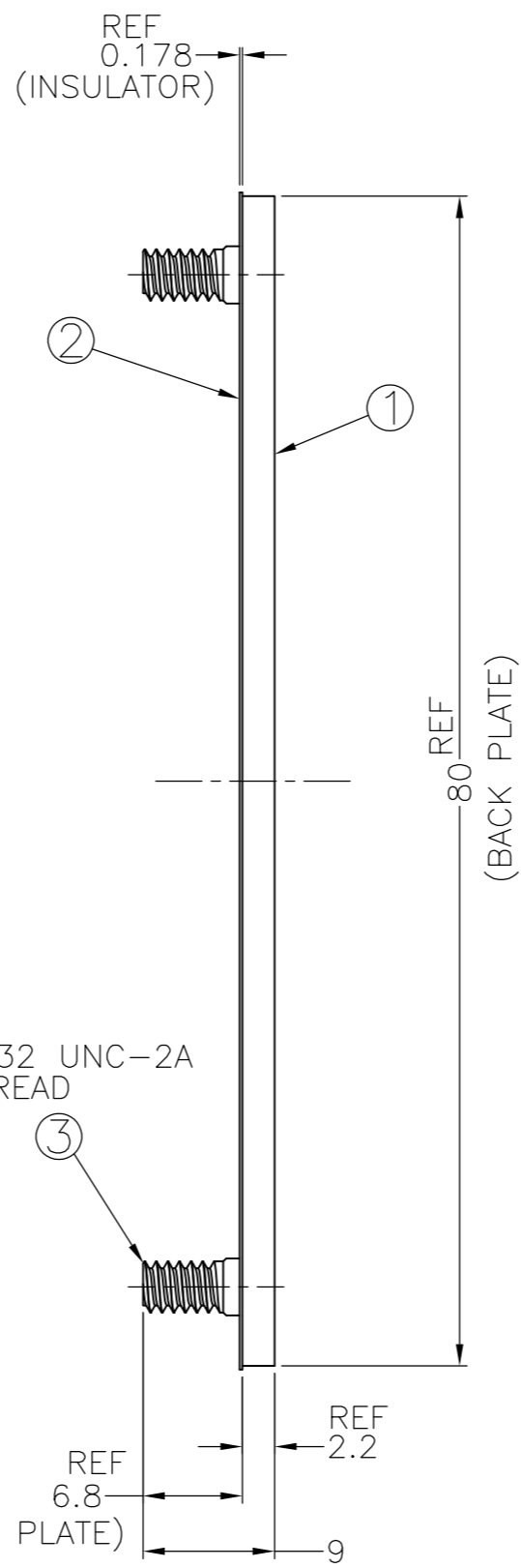
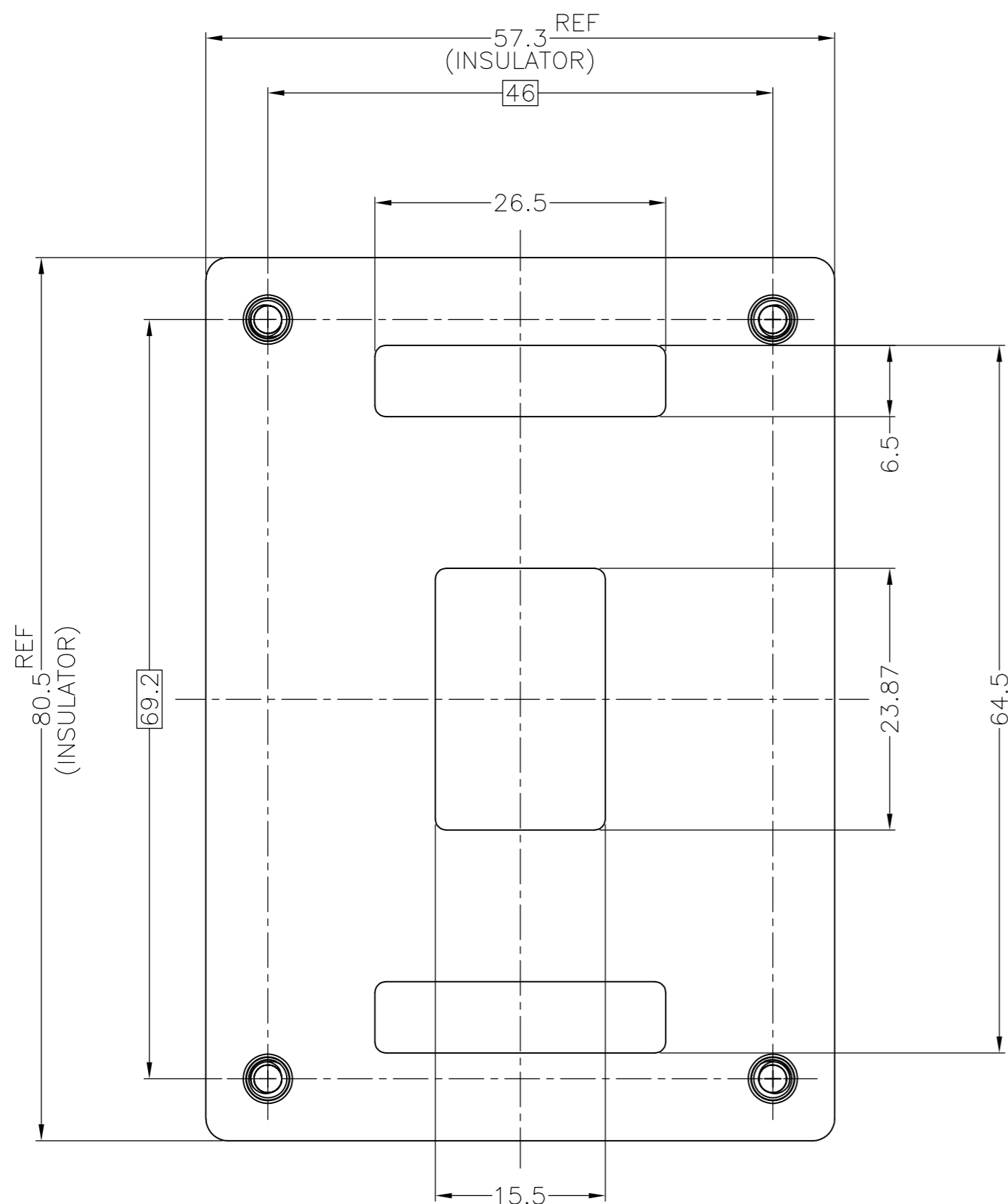


THIS DRAWING IS UNPUBLISHED. RELEASED FOR PUBLICATION
 © COPYRIGHT - By Tyco Electronics Japan G.K. ALL RIGHTS RESERVED.

LOC	DIST	REVISIONS			DATE	DWN	APVD
J	-	P	LTR	DESCRIPTION			
		A		RELEASE	04SEP'11	J.C	T.N



- MATERIAL:
 - BACK PLATE: STEEL, FINISH: Ni PLATING
 - INSULATOR: POLYCARBONATE FILM PLUS ACRYLIC ADHESIVE LAYER
 - STUD: STEEL, FINISH: Ni PLATING
- ASSEMBLED WITH ILM ASSEMBLY P/N: 2134439 SERIES
- INDICATED DATE CODE ON THE BACK PLATE
- APPLICABLE PCB THICKNESS: 2.86~3.58mm

P/N: 2134440-3 AS SHOWN

THIS DRAWING IS A CONTROLLED DOCUMENT.		DWN J.CHEN 04SEP2011	TE Connectivity BACK PLATE ASSY LGA2011		RESTRICTED TO
DIMENSIONS: 单位: 转 mm		CHK H.TAGUCHI 04SEP2011			
TOLERANCES UNLESS OTHERWISE SPECIFIED: 一般公差		APVD T.NAKASHIMA 04SEP2011	NAME 名称		-
0-PLC ± ±0.3 1-PLC ± ±0.3 2-PLC ± ±3° 3-PLC ± ± 4-PLC ± ± ANGLES ± ±		PRODUCT SPEC 108-78750	SIZE A2		
MATERIAL 材料		APPLICATION SPEC 114-5474	CAGE CODE 00779	DRAWING NO 番号 C=2134440-3	SCALE 2:1
FINISH 仕上		WEIGHT 68g	SHEET 1 OF 1		REV A
		CUSTOMER DRAWING			

单击下面可查看定价，库存，交付和生命周期等信息

[>>TE Connectivity\(泰科\)](#)