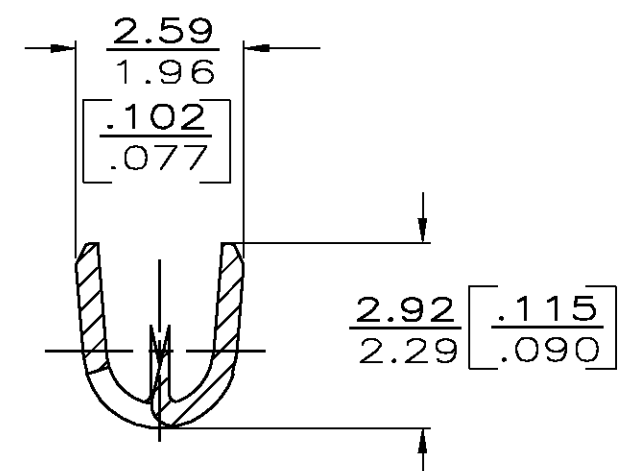
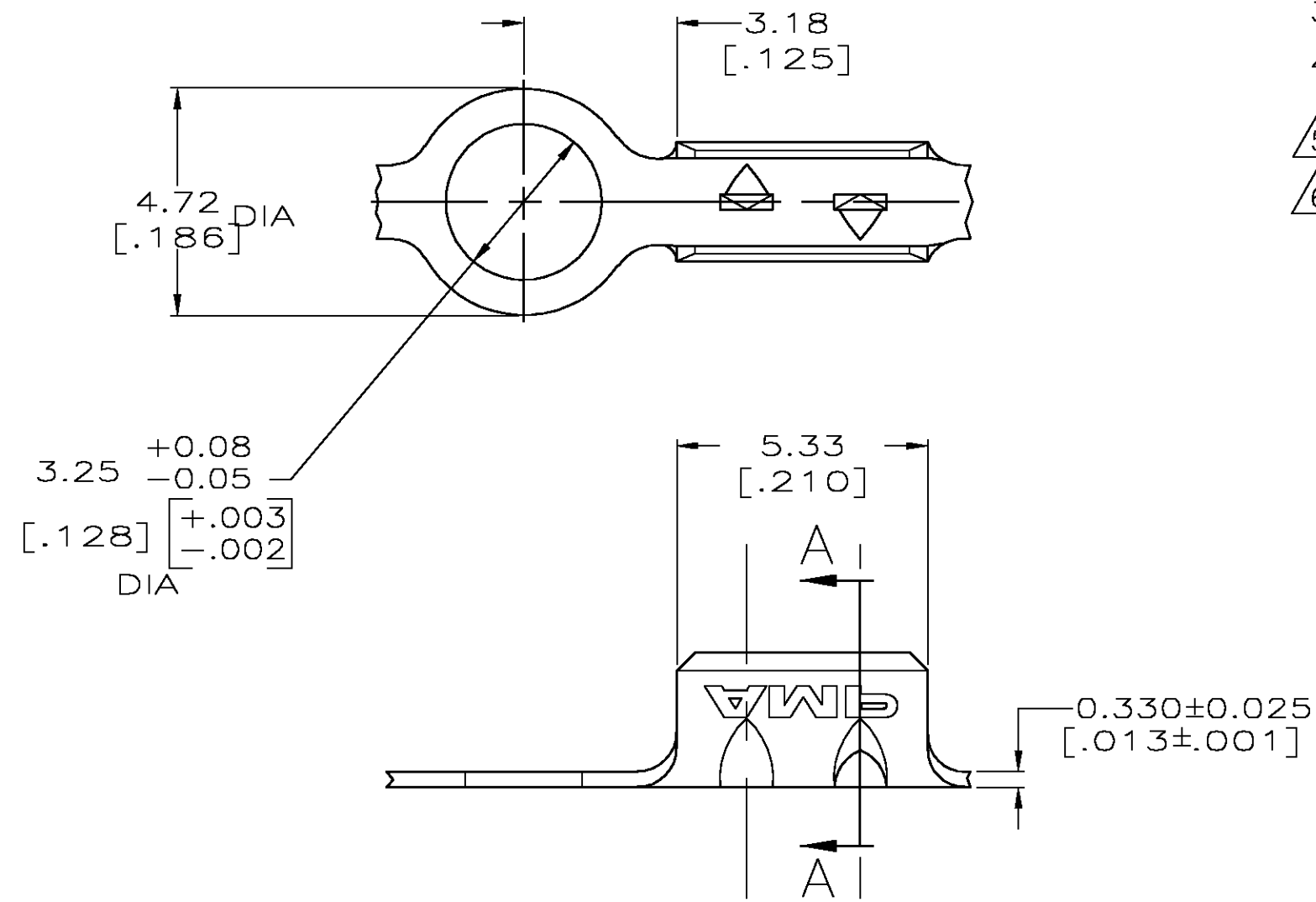


LOC	DIST	REVISIONS					
AF	50	P	LTR	DESCRIPTION	DATE	DWN	APVD
			T	REV PER 0G3A-0210-03	10APR03	JR	DD

- 1 CONTINUOUS STRIP ON REEL.
- 2 0.003302 [.000130] MAX PRE-TIN PL PER MIL-T-10727.
- 3 WIRE SIZE 22-20 AWG
- 4 INSULATION RANGE IS 1.27-1.65 [.050-.065] DIA
- 5 PACKAGED WITH PAPER
- 6 PRELIMINARY - NOT FOR PRODUCTION



SECTION A-A  
SCALE 10:1

2	5 6	41409-3
2		41409
FINISH		PART NO

THIS DRAWING IS A CONTROLLED DOCUMENT.		DWN	PHILLIP M. FORTNEY	6/15/94	<b>tyco</b> <b>Electronics</b>	Tyco Electronics Corporation	
DIMENSIONS: INCHES		CHK	JEFF R RUTH	6/15/94		Harrisburg, PA 17105	
TOLERANCES UNLESS OTHERWISE SPECIFIED:		APVD	R KUZO	6/15/94	NAME		
0 PLC ± -		PRODUCT SPEC		RING, INSULATION PIERCING			
1 PLC ± -		APPLICATION SPEC		-			
2 PLC ± 0.25 [.010]		WEIGHT		-			
3 PLC ± -		SIZE		A3	CAGE CODE	00779	DRAWING NO
4 PLC ± -		CUSTOMER DRAWING		C-41409		RESTRICTED TO	
ANGLES ± -		SCALE		8:1		SHEET 1 OF 1	
FINISH		REV		T			
MATERIAL		082 BRASS					

单击下面可查看定价，库存，交付和生命周期等信息

[>>TE Connectivity\(泰科\)](#)