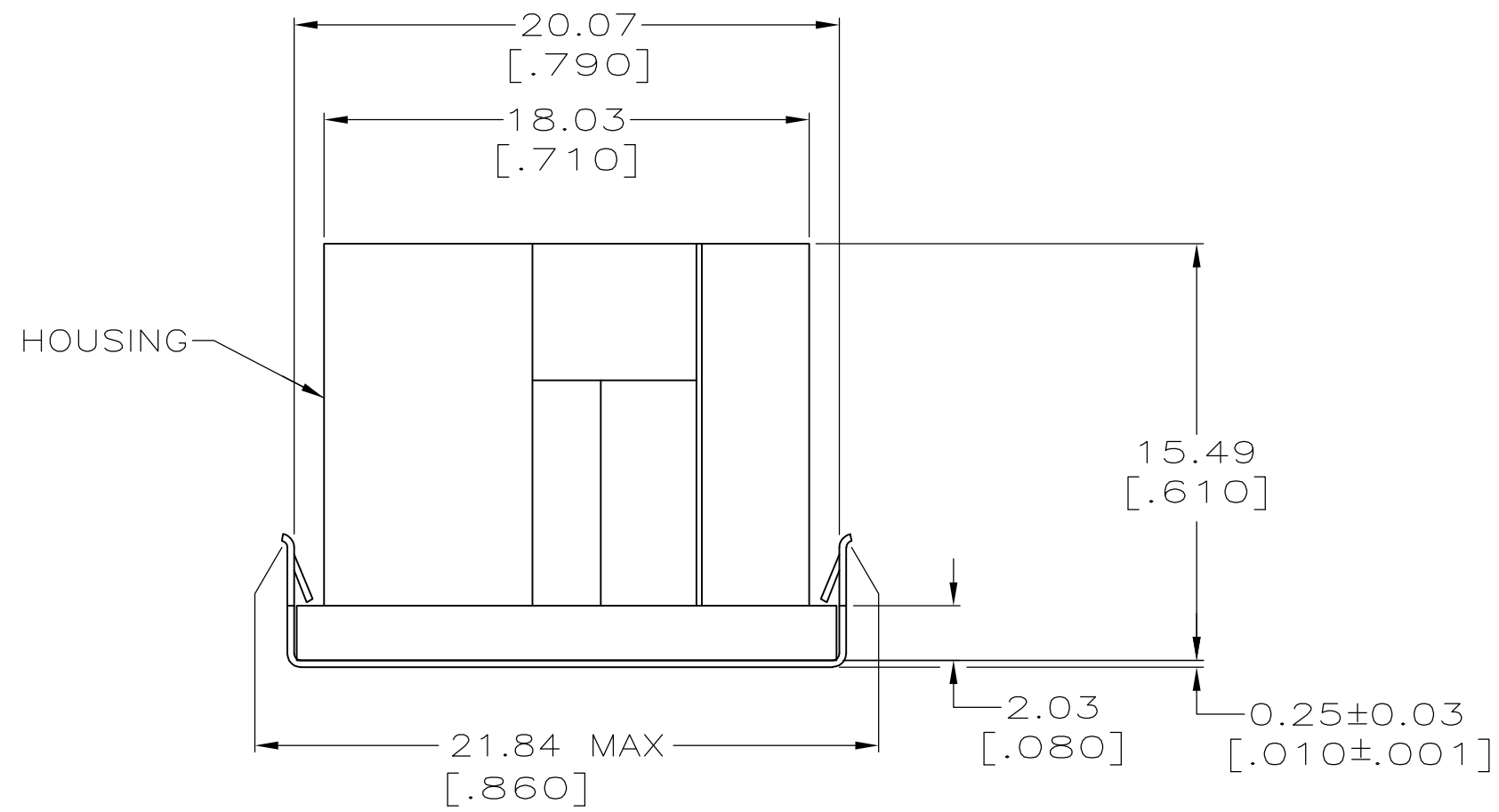
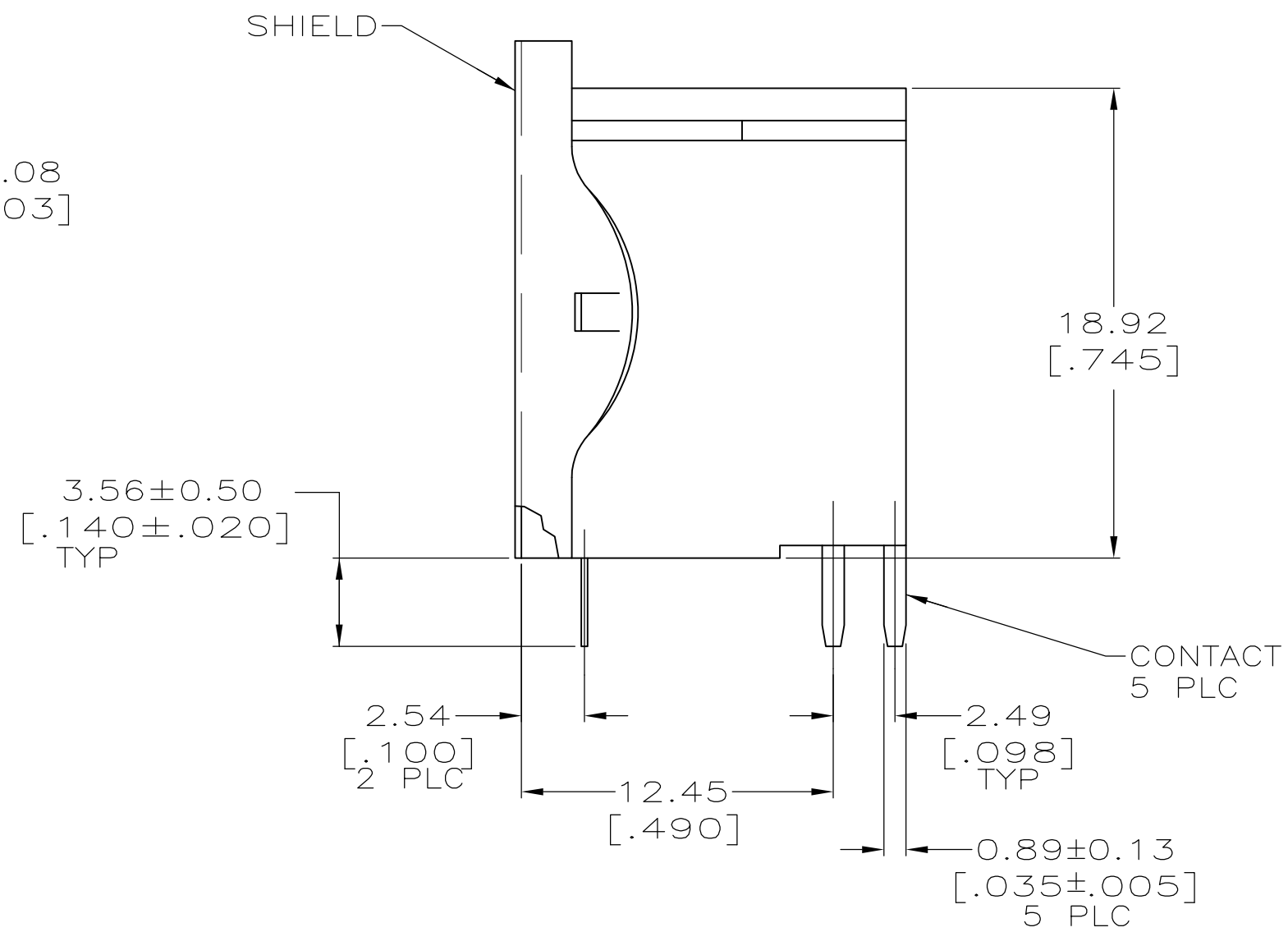
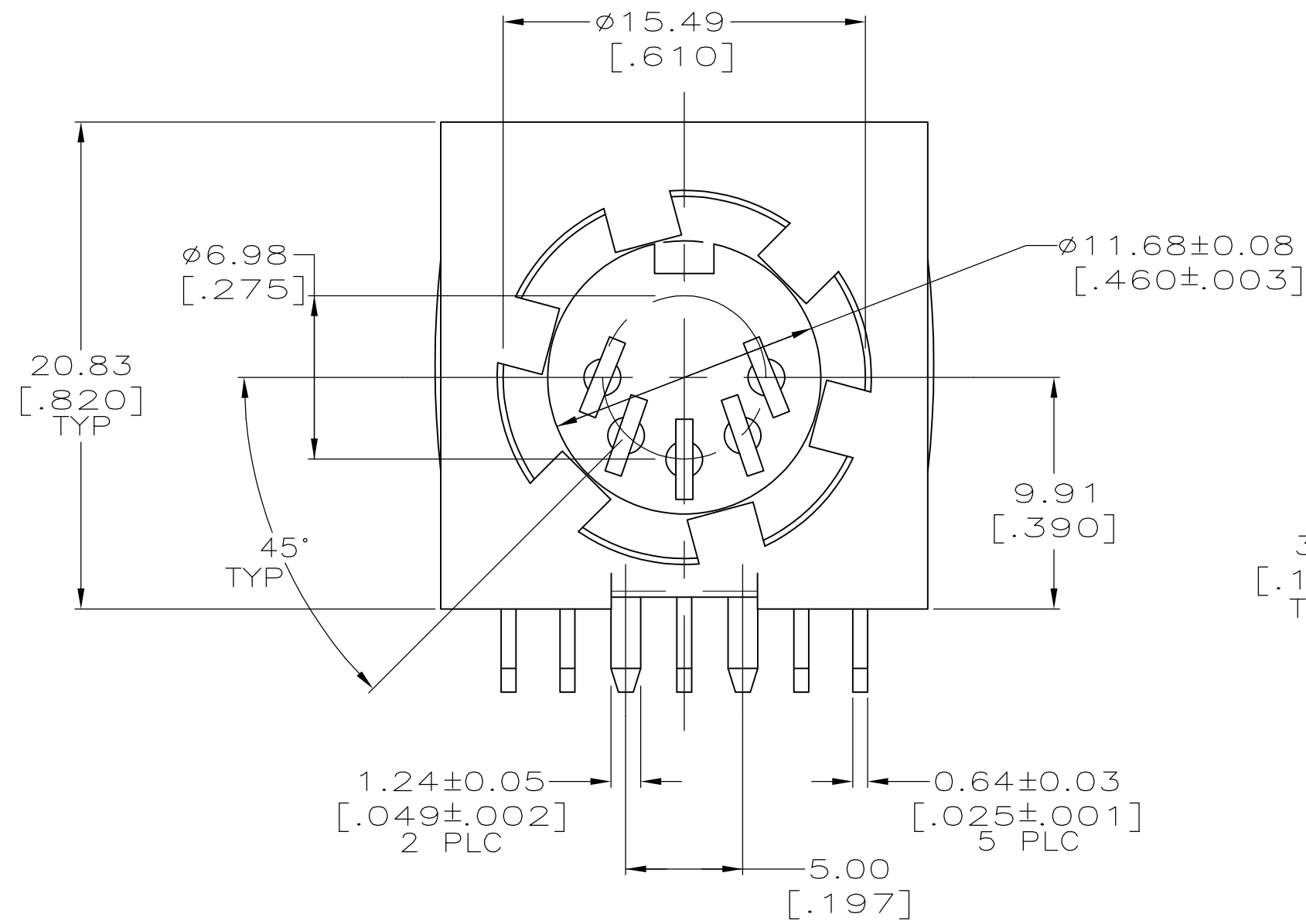


THIS DRAWING IS UNPUBLISHED. RELEASED FOR PUBLICATION
 © COPYRIGHT - By - ALL RIGHTS RESERVED.

LOC		DIST		REVISIONS			
P	LTR	DESCRIPTION		DATE	DWN	APVD	
GP	00	P		REVISED PER ECO-11-004835	11MAR11	RK	HMR



- 1 HOUSING: NYLON, UL 94V-0 RATED, BLACK.
- 2 SHIELD & CONTACTS: BRASS PER ASTM B 36.
- 3 SHIELD & CONTACTS: 2.54µm [.000100] MIN TIN OVER 1.27µm [.000050] MIN NICKEL.



GANG OF TUBES	5212044-1
PACKAGING TYPE	PART NO

THIS DRAWING IS A CONTROLLED DOCUMENT.		DWN	L. VARELA - DOCK5	12-11-04	 TE Connectivity		
DIMENSIONS: mm [INCHES]		CHK	C. ROHDE	12-11-04			
TOLERANCES UNLESS OTHERWISE SPECIFIED:		APVD	M. WALMSLEY	12-11-04			
0 PLC ± - 1 PLC ± - 2 PLC ± 0.25 [.010] 3 PLC ± - 4 PLC ± - ANGLES ± 2°		PRODUCT SPEC	108-10047	NAME		RECEPTACLE ASSEMBLY, 90 DEGREE PCB, 5 POSITION, W/SHIELDING, CIRCULAR DIN	
MATERIAL		FINISH	114-40025	APPLICATION SPEC	SIZE	A2	
1 2 3		WEIGHT	-	RESTRICTED TO	CAGE CODE	00779	
CUSTOMER DRAWING		SCALE	4:1	SHEET	1 OF 1	REV	P

单击下面可查看定价，库存，交付和生命周期等信息

[>>TE Connectivity\(泰科\)](#)