

4

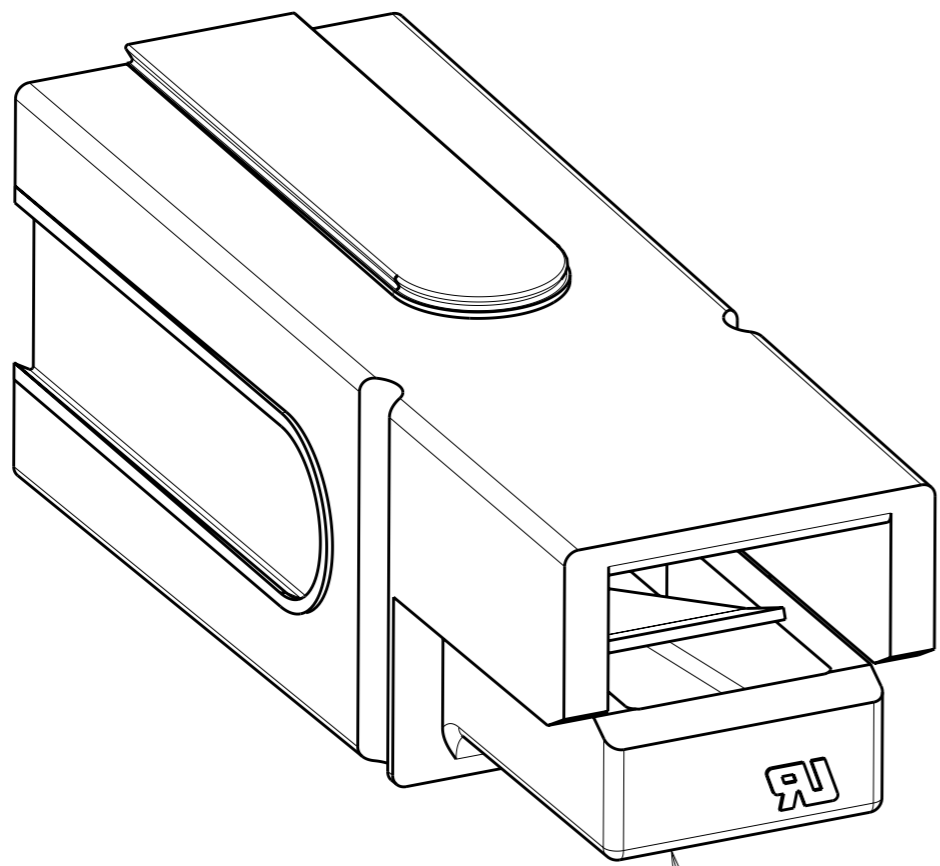
3

2

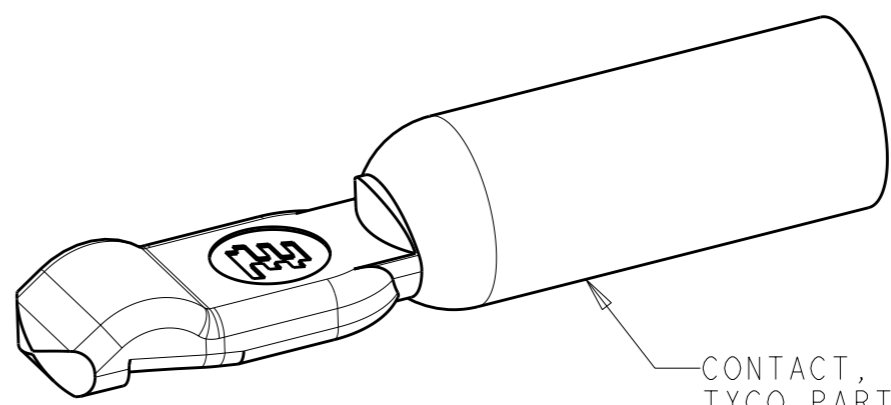
1

THIS DRAWING IS UNPUBLISHED. RELEASED FOR PUBLICATION 20
© COPYRIGHT 20 BY TYCO ELECTRONICS CORPORATION. ALL RIGHTS RESERVED.

LOC	DIST	REVISIONS			
P	LTR	DESCRIPTION	DATE	DWN	APVD
CM	0	01	REVISED PER ECR-10-010379	24MAY2010	HMR JR



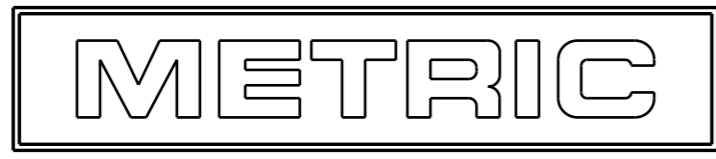
HOUSING-SPRING SUB-ASSY, 1 REQD
TYCO PART NUMBER
1604062-1 THRU -5 (INCLUSIVE)
MAY BE ORDERED SEPARATELY



CONTACT, 4 AWG, 1 REQD
TYCO PART NUMBER 1604040-1
MAY BE ORDERED SEPARATELY

GREEN	1604395-5
RED	1604395-4
WHITE	1604395-3
BLACK	1604395-2
BLUE	1604395-1
HOUSING COLOR	KIT PART NO

THIS PRODUCT HAS PASSED VERIFICATION AND AGENCY APPROVALS TESTING AND IS COMPONENT RECOGNIZED PER UL 1977. TYCO ELECTRONICS PRODUCT QUALIFICATION TESTING IS NOT YET COMPLETED.



<small>THIS DRAWING IS A CONTROLLED DOCUMENT FOR TYCO ELECTRONICS CORPORATION IT IS SUBJECT TO CHANGE AND THE CONTROLLING ENGINEERING ORGANIZATION SHOULD BE CONTACTED FOR THE LATEST REVISION.</small>		DWN 9SEP2002 Brent D. Yohn CHK 9SEP2002 W.H. BERNHART APVD 9SEP2002 W.H. BERNHART		Tyco Electronics Harrisburg, PA 17105-3608	
DIMENSIONS: mm 		TOLERANCES UNLESS OTHERWISE SPECIFIED: 0 PLC ±- 1 PLC ±0.4 2 PLC ±0.13 3 PLC ±0.050 4 PLC ±- ANGLES ±-		NAME KIT, CONNECTOR, SERIES 180 AMP, WITH 4 AWG CONTACTS	
MATERIAL -		FINISH -		PRODUCT SPEC - APPLICATION SPEC - WEIGHT -	
		SIZE A3 CAGE CODE 00779 DRAWING NO C-1604395		RESTRICTED TO -	
CUSTOMER DRAWING		SCALE 2:1		SHEET 1 OF 1 REV 01	

单击下面可查看定价，库存，交付和生命周期等信息

[>>TE Connectivity\(泰科\)](#)