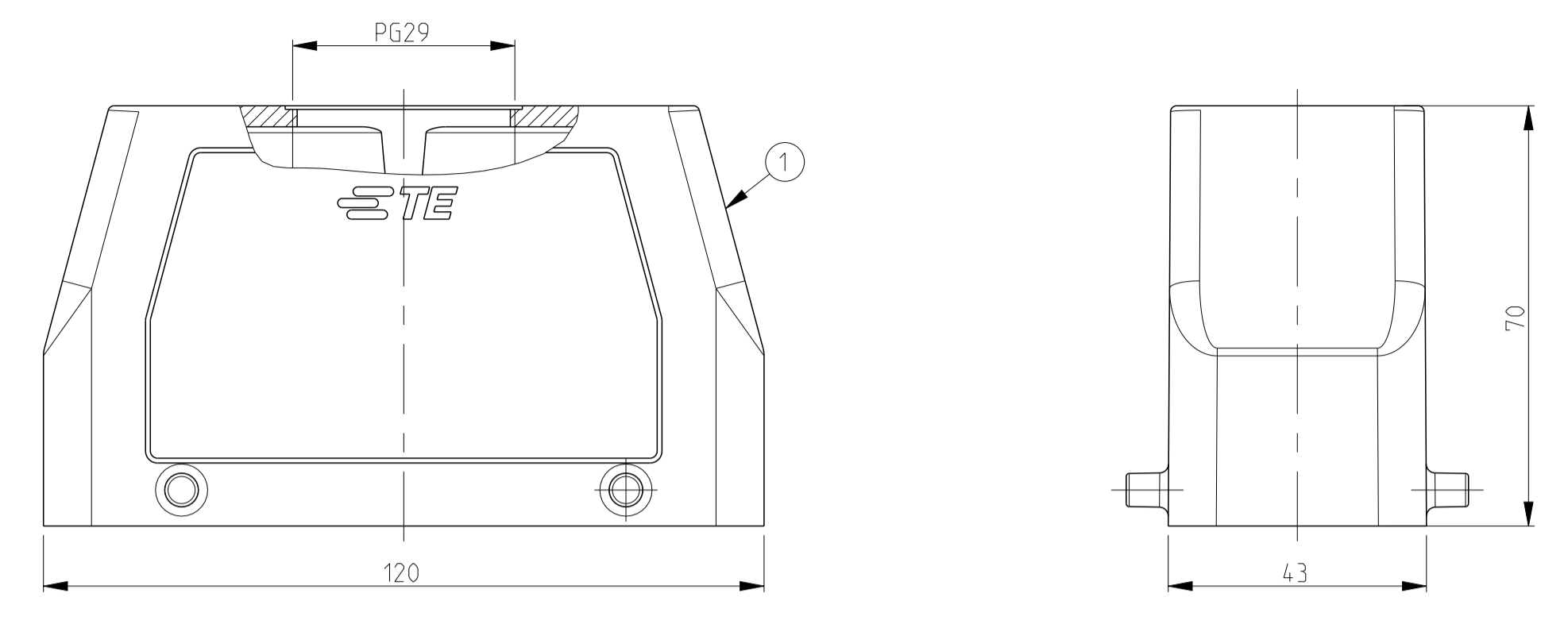


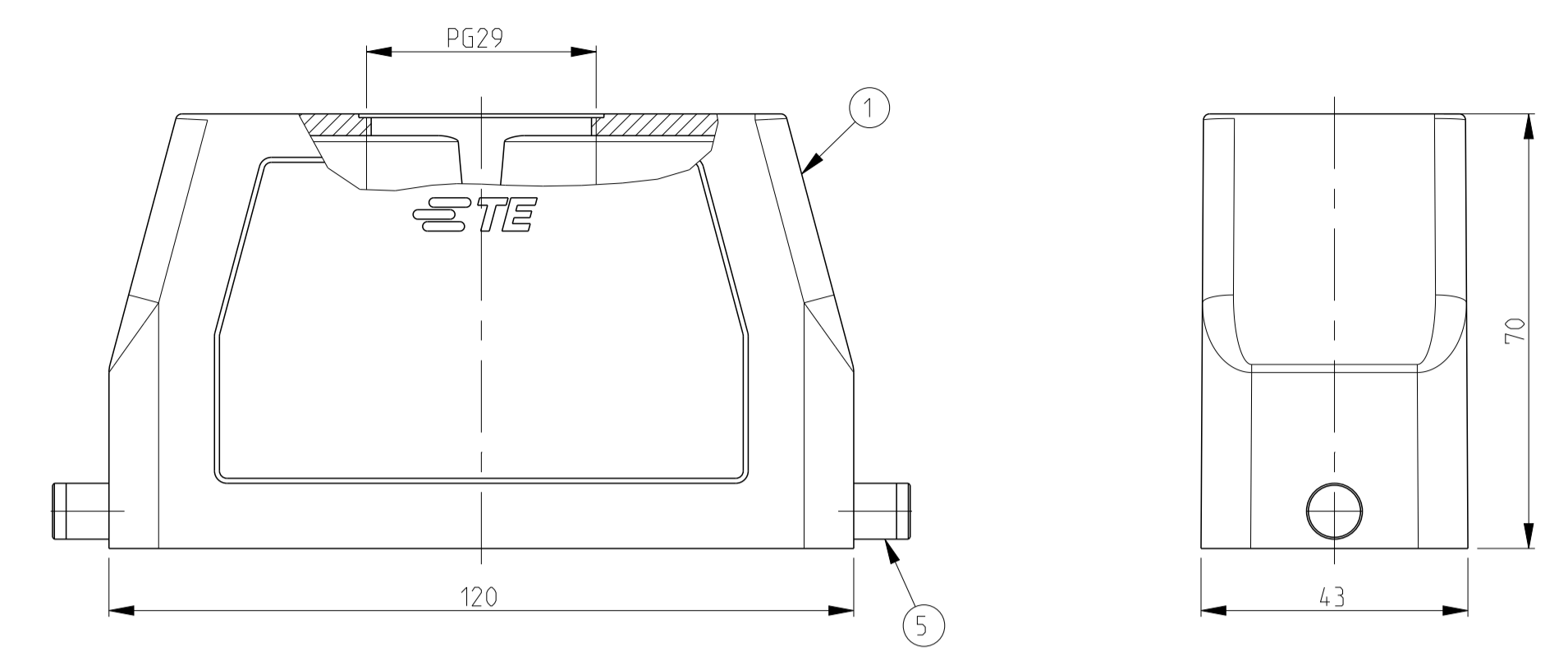
REVISIONS				
P.	LTN	DESCRIPTION	DATE	DWN APVD
A4	ECR-17-013084		29MAR2018	SG MKO

- NOTES.
- 1 Material:Housing:Aluminium Diecasting Alloy
  - 2 Surface:Varnish grey  
-Aluminium oxide-  
Varnish black
  - 3 Varnish on the inside not necessary
  - 4 Packaging  
Quantity 5 Pieces in a box

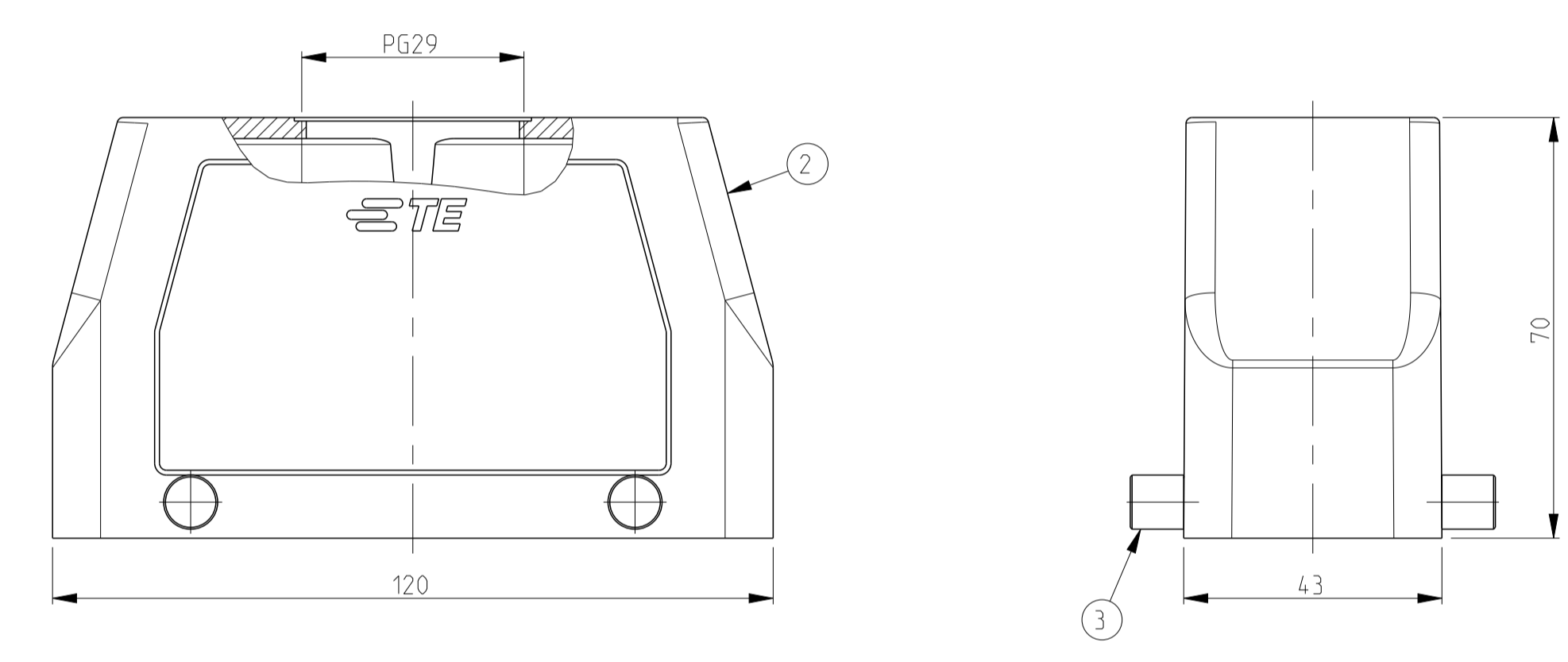
PN 1-6



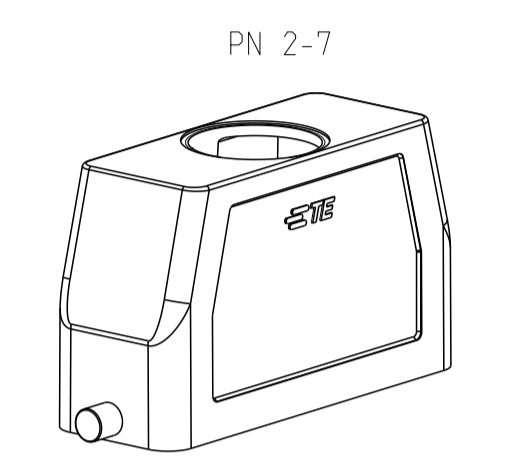
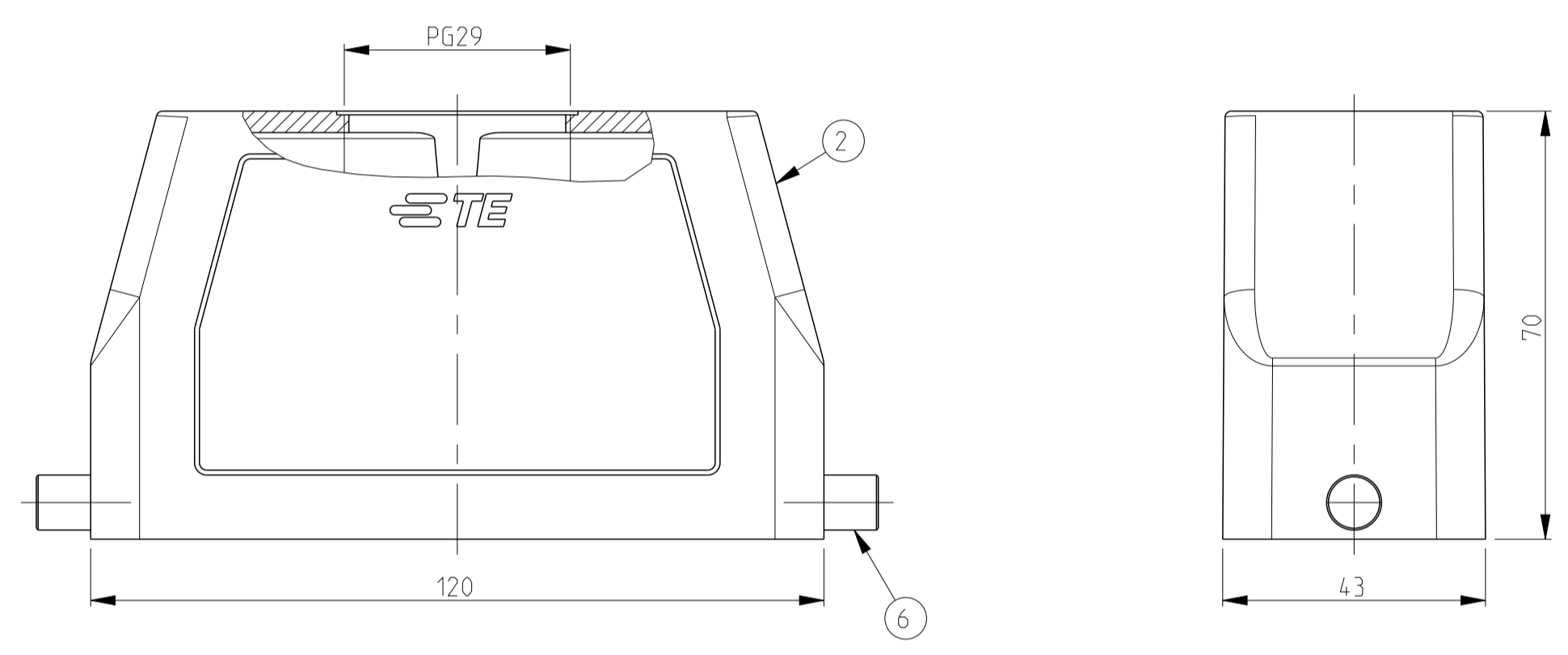
PN 1-7



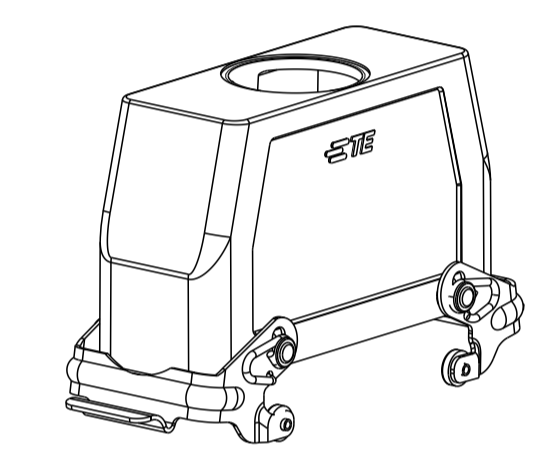
PN 2-6



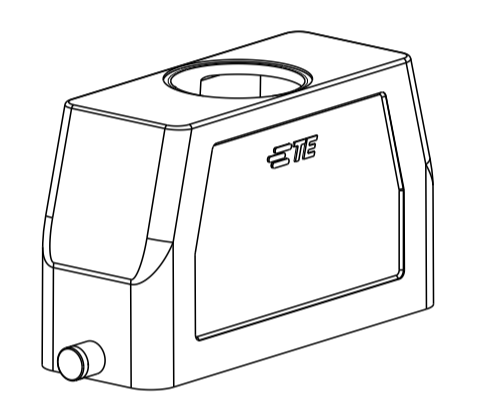
PN 2-7



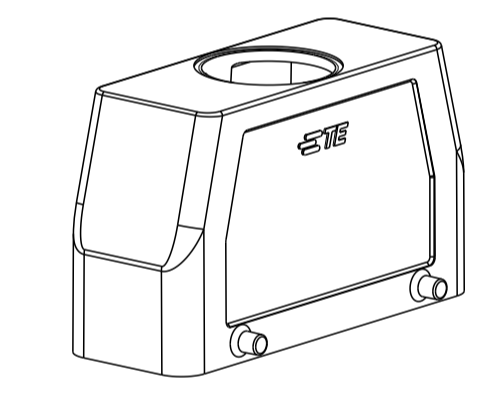
SCALE 1:2



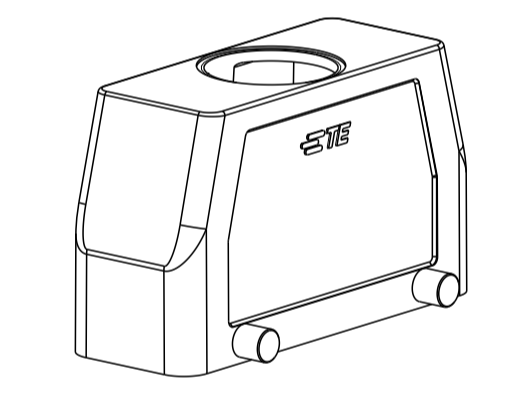
SCALE 1:2



SCALE 1:2

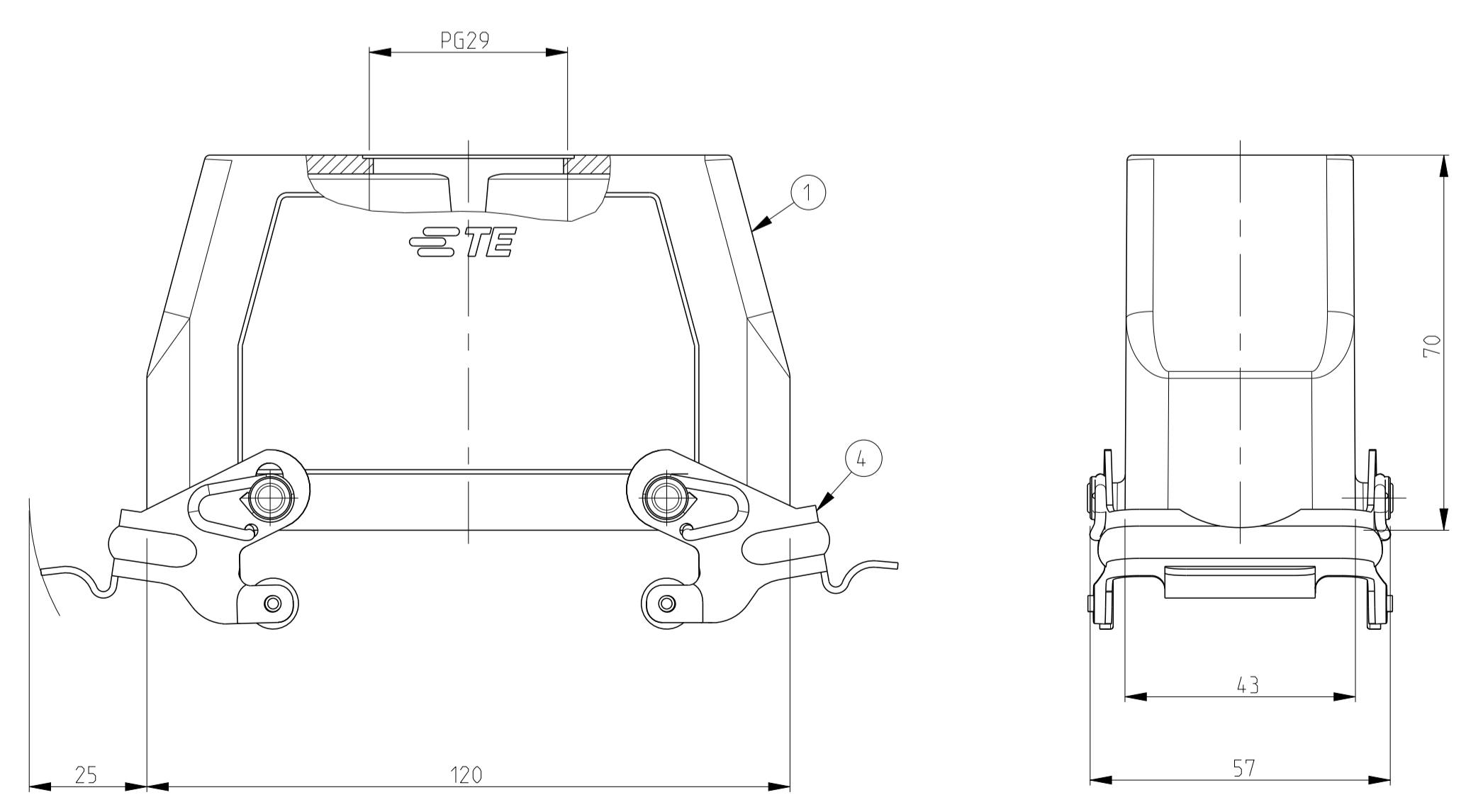


SCALE 1:2



SCALE 1:2

PN 1-1



QTY	ITEM NO	DESCRIPTION	MATERIAL	SURFACE	COLOR	ITEM NO	REMARKS
2	1	LB-Clip bolt	Stainless steel	Blank	-	6	
2	2	LB-Clip bolt	Steel	Zinc plated	Blue	5	
4	3	VS-Side clip	Steel	Zinc plated	Blue	4	
4	4	VS-Clip bolt	Stainless steel	Blank	-	3	
1	1	HB-K Hood	Aluminium	Aluminium oxide	Black	2	
1	1	HB Hood	Aluminium	-	Grey	1	
2-71-71-12-61-6	DESCRIPTION	MATERIAL	SURFACE	COLOR	ITEM NO	REMARKS	
ORDERING TEXT							
HB.24.STO.1.29.G							
HB-K.24.STO.1.29.G							
HB.24.STO-VS.1.29.G							
HB.24.STO-GR.1.29.G							
HB-K.24.STO-GR.1.29.G							

THIS DRAWING IS A CONTROLLED DOCUMENT. DWN Schneider 30.01.2003  
 CHK Schwieger 30.01.2003

STE TE Connectivity

NAME: Hood  
 HB.24.STO.1.29.G

PRODUCT SPEC: 108-74003  
 APPLICATION SPEC: 116-74004

SIZE: A1 CAGE CODE: 00779 DRAWING NO: 1102328  
 WEIGHT: -

CUSTOMER DRAW ING SCALE: 1:1 SHEET: 1 OF 1 REV: A4

单击下面可查看定价，库存，交付和生命周期等信息

[>>TE Connectivity\(泰科\)](#)