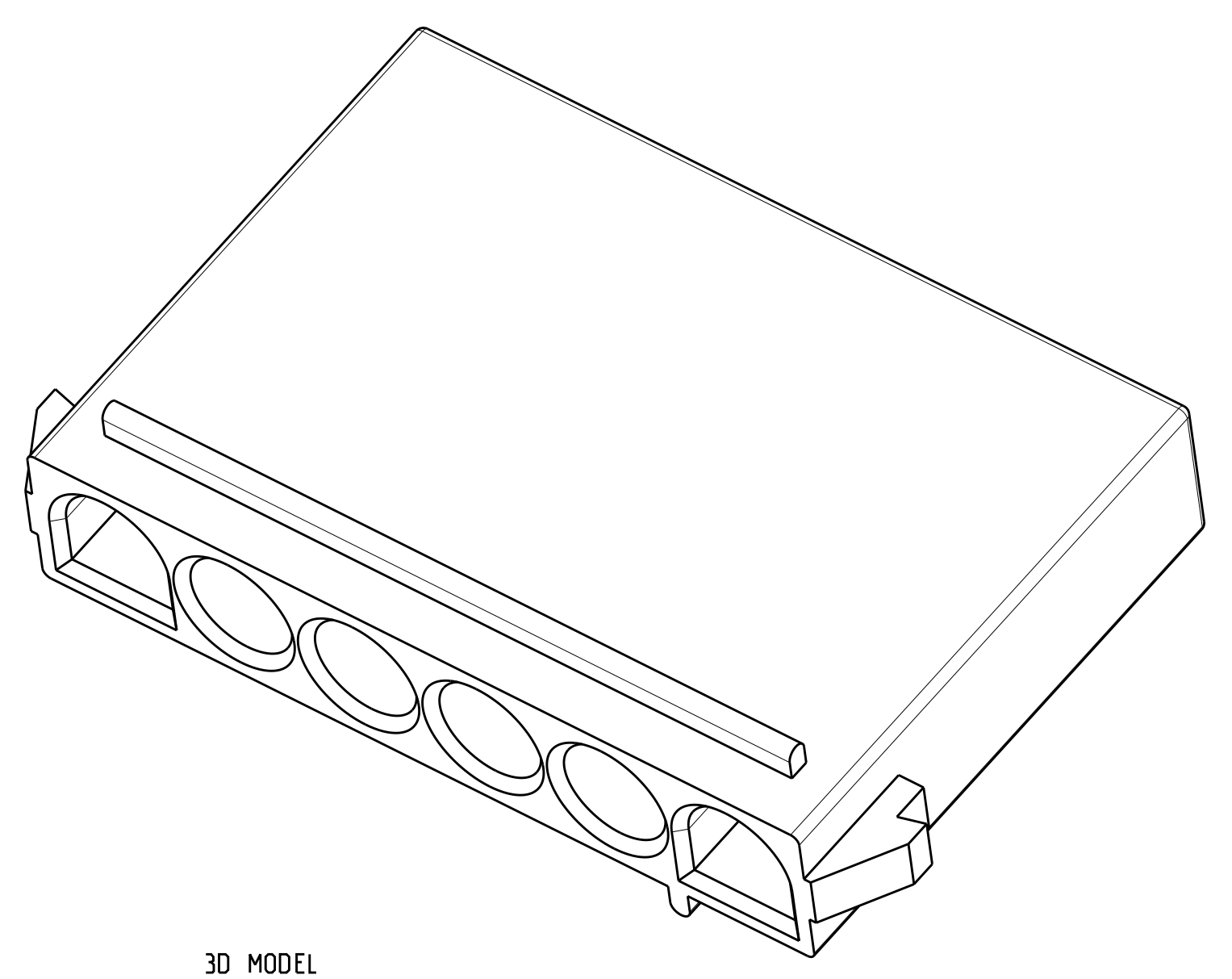
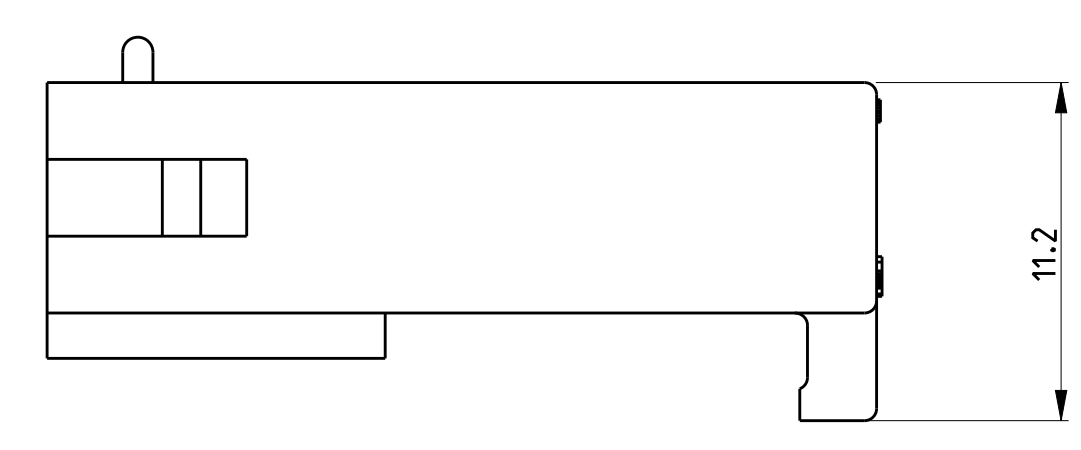
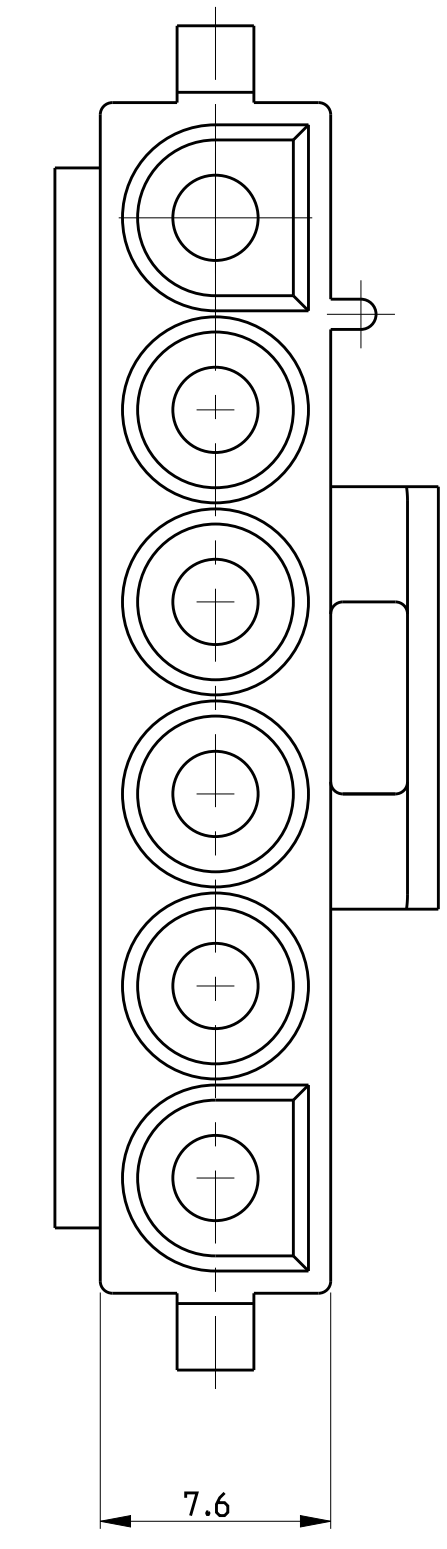
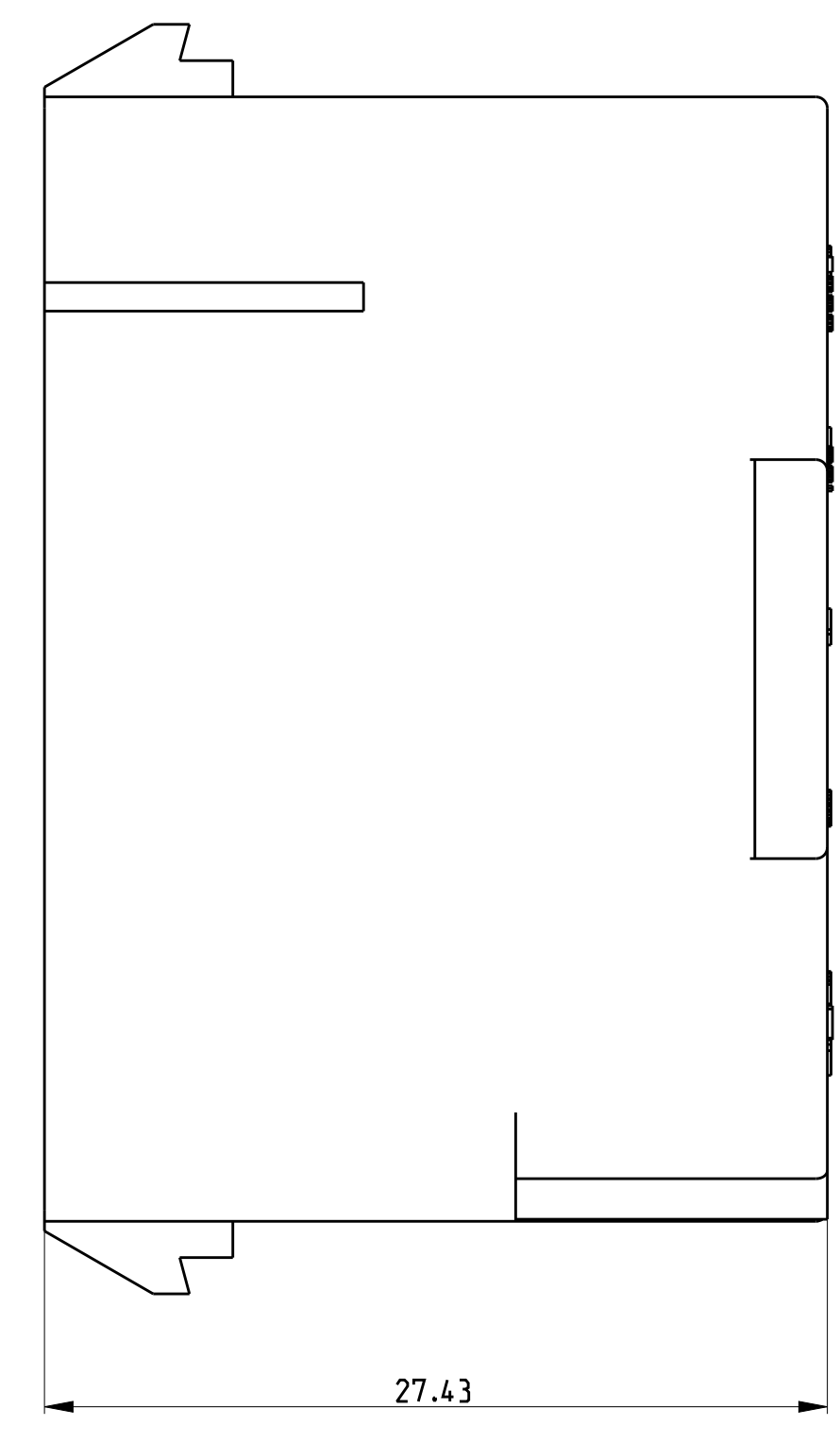
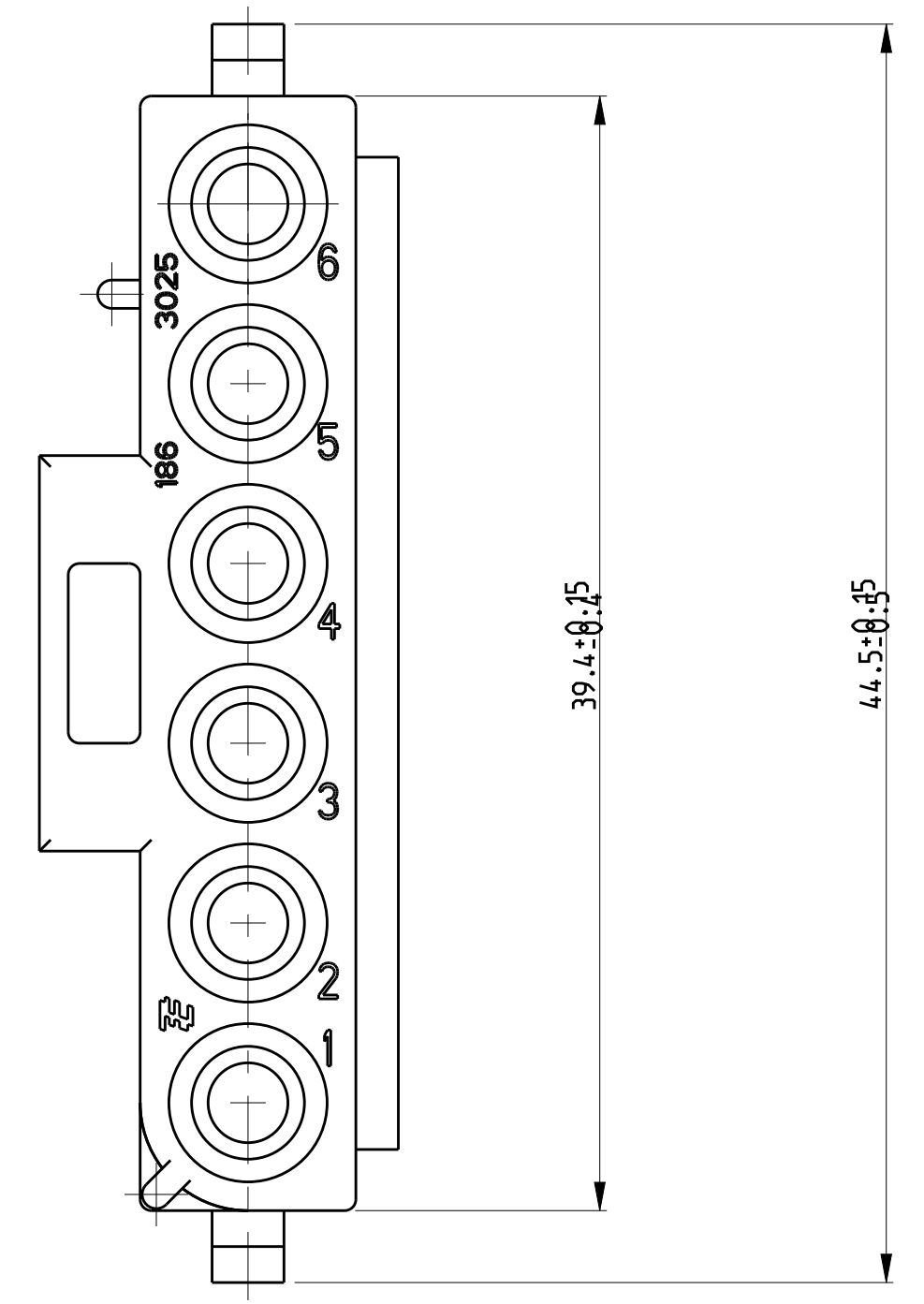


REVISIONS				
P	LTR	DESCRIPTION	DATE	DWN APVD
B2		REVISED PER ECR-17-014951	160C12017	BDA KR

1. DIMENSIONS SHOWN REPRESENT PRODUCT IN DRY, AS MOLDED, CONDITION. ADDITIONAL 2% GROWTH DUE TO SUBSEQUENT MOISTURE ABSORPTION MAY OCCUR AND SHOULD BE ACCOUNTED FOR.



3D MODEL

1863025-1	PA6.6 UL94 V0	NATURAL
PN	MATERIAL	COLOUR
STE TE Connectivity		
NAME		UNIVERSAL MNL 6-WAY CAP
PRODUCT SPEC		-
APPLICATION SPEC		-
SIZE	CAGE CODE	DRAWING NO
A1	-	C=1863025
RESTRICTED TO		-
SCALE		4:1
SHEET		1 OF 1
REV		B2

THIS DRAWING IS A CONTROLLED DOCUMENT.	
DIMENSIONS:	TOLERANCES UNLESS OTHERWISE SPECIFIED:
mm	0 PLC ±0.13
	1 PLC ±0.13
	2 PLC ±0.2
	3 PLC ±0.13
	4 PLC ±
	ANGLES ±
	FINISH ±
MATERIAL	SEE TABLE
CUSTOMER DRAWING	

单击下面可查看定价，库存，交付和生命周期等信息

[>>TE Connectivity\(泰科\)](#)