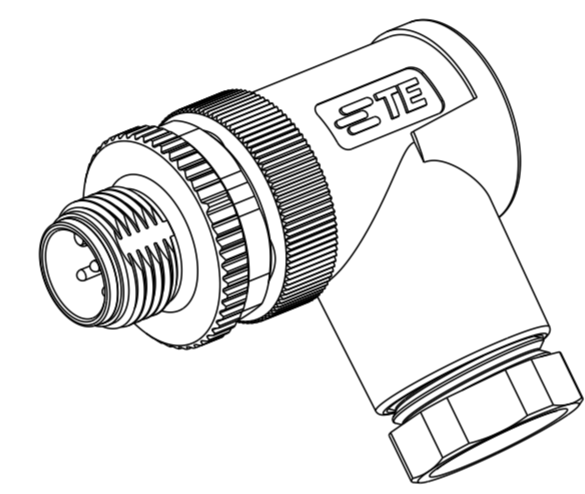
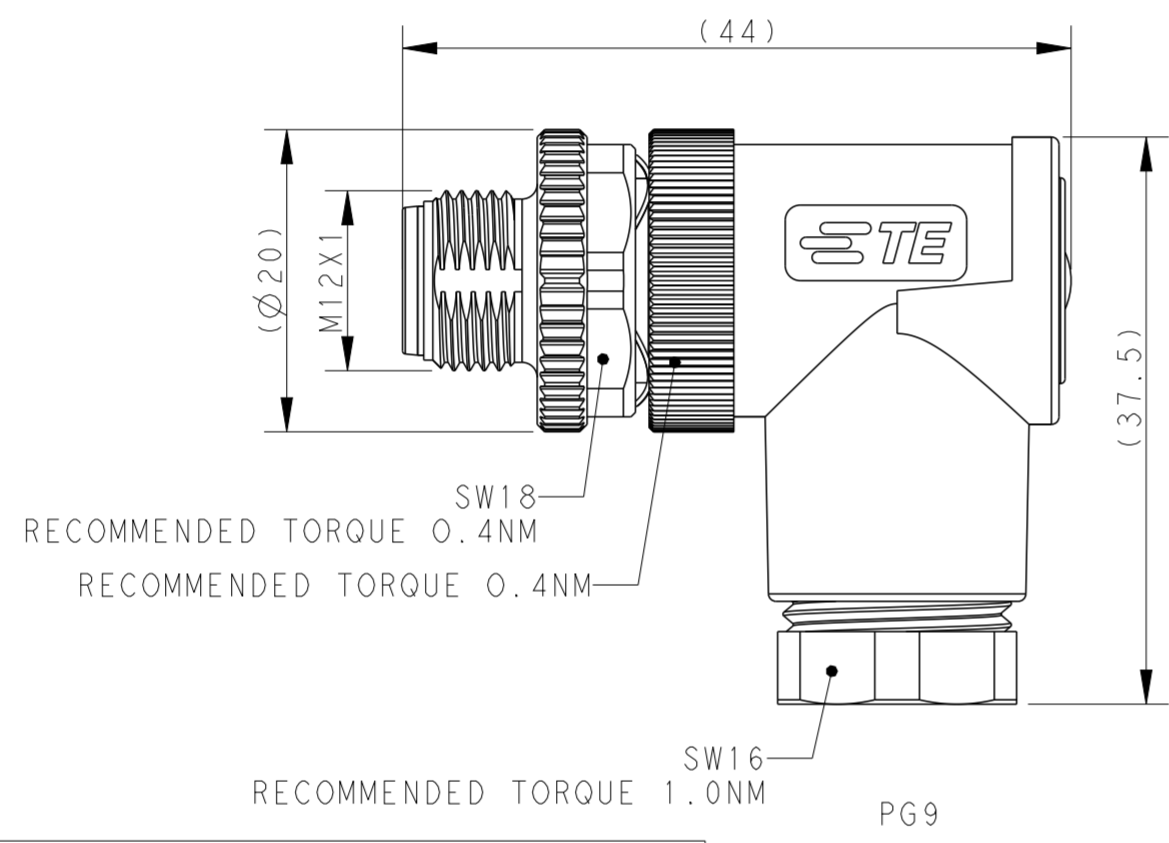
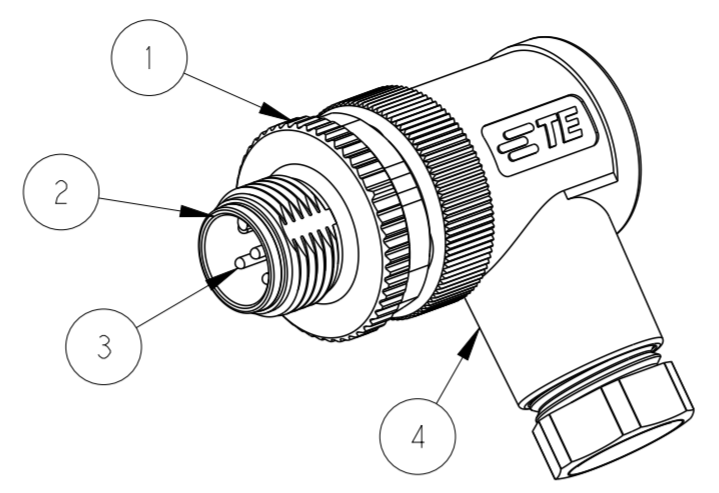
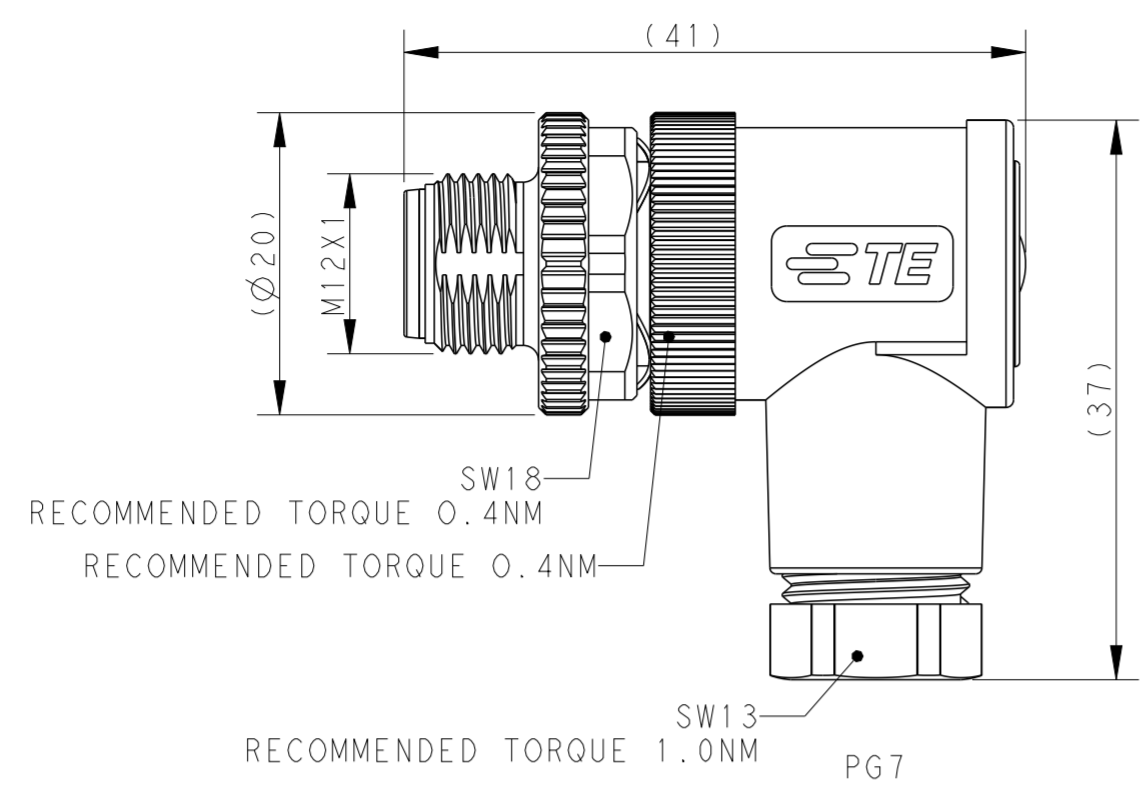
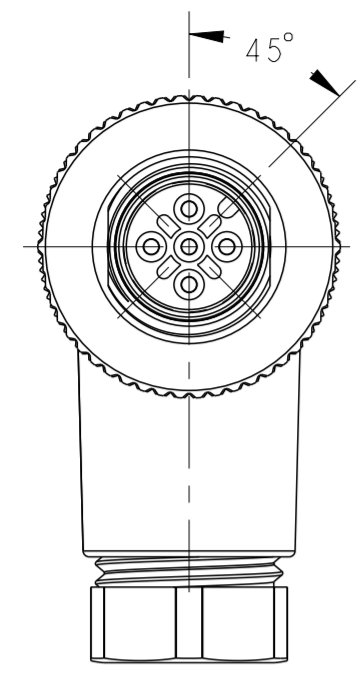


THIS DRAWING IS UNPUBLISHED. RELEASED FOR PUBLICATION 20
 © COPYRIGHT 20 BY - ALL RIGHTS RESERVED.

REVISIONS					
P	LTR	DESCRIPTION	DATE	DWN	APVD
A1		ECR-15-012625 CORRECT TYPE	20AUG2015	N.P	X.X
A2		ECR-15-018715 ADD 114 SPEC.	29DEC2015	N.P	X.X
A3		ECR-20-012708 ADD MODEL PG9	22SEP2020	NP	XX
B		ECR-22-132011	25AUG2022	BP	CW

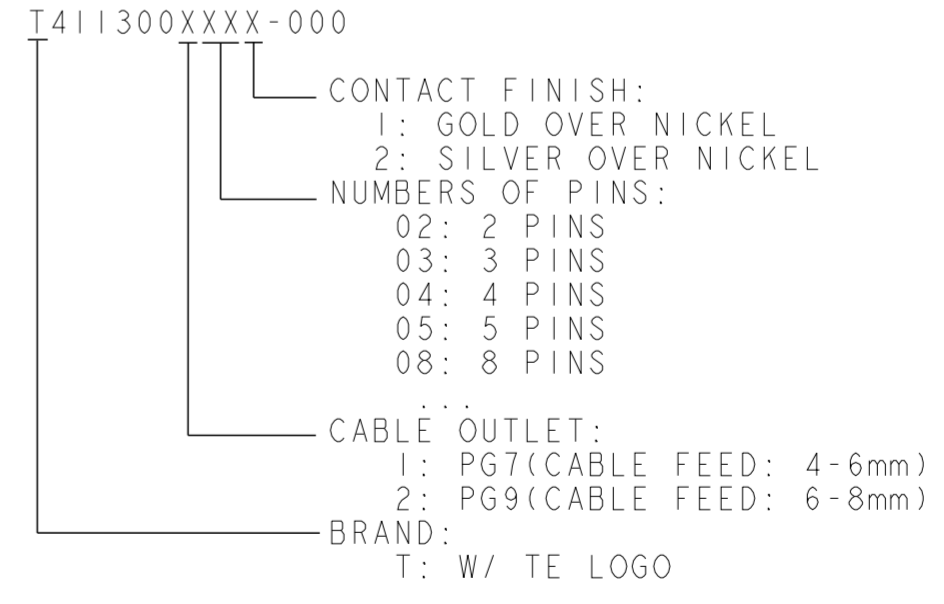


TECHNICAL DATA	T411300X02X-000	T411300X03X-000	T411300X04X-000	T411300X05X-000	T411300X08X-000
	RATED VOLTAGE	250V	250V	250V	60V
RATED CURRENT	4A	4A	4A	4A	2A
POLLUTION DEGREE	3	3	3	3	3
OVERVOLTAGE CATEGORY	II	II	II	II	II
MATERIAL GROUP	II	II	II	II	II
CONTACT RESISTANCE	≤10mΩ	≤10mΩ	≤10mΩ	≤10mΩ	≤10mΩ
INSULATION RESISTANCE	>100MΩ	>100MΩ	>100MΩ	>100MΩ	>100MΩ
DEGREE OF PROTECTION	IP67	IP67	IP67	IP67	IP67
OPERATION TEMPERATURE	-40~85°C	-40~85°C	-40~85°C	-40~85°C	-40~85°C

NOTE:
 1. MATERIAL:
 ITEM NO.1:NUT -ZINC DIE-CAST,NICKEL PLATED
 ITEM NO.2:HOUSING -PA
 ITEM NO.3:CONTACT -BRONZE
 ITEM NO.4:HOUSING BODY: -ZINC DIE-CAST,NICKEL PLATED
 2. CONTACT FINISH:
 GOLD OVER NICKEL OR SILVER OVER NICKEL
 3. CABLE WIRES:
 FOR 2~5 PIN:
 24AWG/0.25mm²...18AWG/0.75mm² (WITHOUT FERRULE)
 26AWG/0.14mm²...20AWG/0.50mm² (WITH FERRULE)
 FOR 8 PIN:
 24AWG/0.25mm²...20AWG/0.50mm² (WITHOUT FERRULE)
 26AWG/0.14mm²...22AWG/0.34mm² (WITH FERRULE)
 4. ALLDIMENSIONS ARE FOR NOMINAL REFERENCE ONLY UNLESS OTHERWISE STATED
 5. PACKAGEING: 1PIECE IN A BAG
 6. PN INFORMATION

PIN ARRANGEMENT A-CODE		
T411300X02X-000	T411300X03X-000	T411300X04X-000

T4113002081-000	RPC-M12-MR-8CON-PG9-MU
T4113002082-000	RPC-M12-MR-8CON-PG9-M
T4113001081-000	RPC-M12-MR-8CON-PG7-MU
T4113001082-000	RPC-M12-MR-8CON-PG7-M
T4113002051-000	RPC-M12-MR-5CON-PG9-MU
T4113001051-000	RPC-M12-MR-5CON-PG7-MU
T4113002052-000	RPC-M12-MR-5CON-PG9-M
T4113001052-000	RPC-M12-MR-5CON-PG7-M
T4113002041-000	RPC-M12-MR-4CON-PG9-MU
T4113001041-000	RPC-M12-MR-4CON-PG7-MU
T4113002042-000	RPC-M12-MR-4CON-PG9-M
T4113001042-000	RPC-M12-MR-4CON-PG7-M
T4113002031-000	RPC-M12-MR-3CON-PG9-MU
T4113001031-000	RPC-M12-MR-3CON-PG7-MU
T4113002032-000	RPC-M12-MR-3CON-PG9-M
T4113001032-000	RPC-M12-MR-3CON-PG7-M
T4113002021-000	RPC-M12-MR-2CON-PG9-MU
T4113001021-000	RPC-M12-MR-2CON-PG7-MU
T4113002022-000	RPC-M12-MR-2CON-PG9-M
T4113001022-000	RPC-M12-MR-2CON-PG7-M
TE PN	TYPE



THIS DRAWING IS A CONTROLLED DOCUMENT.		DWN HAO WANG 08DEC2014	TE Connectivity	
		CHK KOBBY ZHAO 08DEC2014		
DIMENSIONS: mm		APVD XIANG XU 08DEC2014	NAME M12 MALE, A CODE, RA UNSHIELDED CONNECTOR SCREW TERMINAL	
TOLERANCES UNLESS OTHERWISE SPECIFIED: 0 PLC ±0.2 1 PLC ±0.2 2 PLC ±0.2 3 PLC ± 4 PLC ± ANGLES ±2 FINISH		PRODUCT SPEC 108-106140	SIZE A2	
MATERIAL		APPLICATION SPEC 114-137144	DRAWING NO C-T411300XXXX000	
		WEIGHT	RESTRICTED TO	
		Customer Drawing	SCALE 2:1 SHEET 1 OF 1 REV B	

单击下面可查看定价，库存，交付和生命周期等信息

[>>TE Connectivity\(泰科\)](#)