


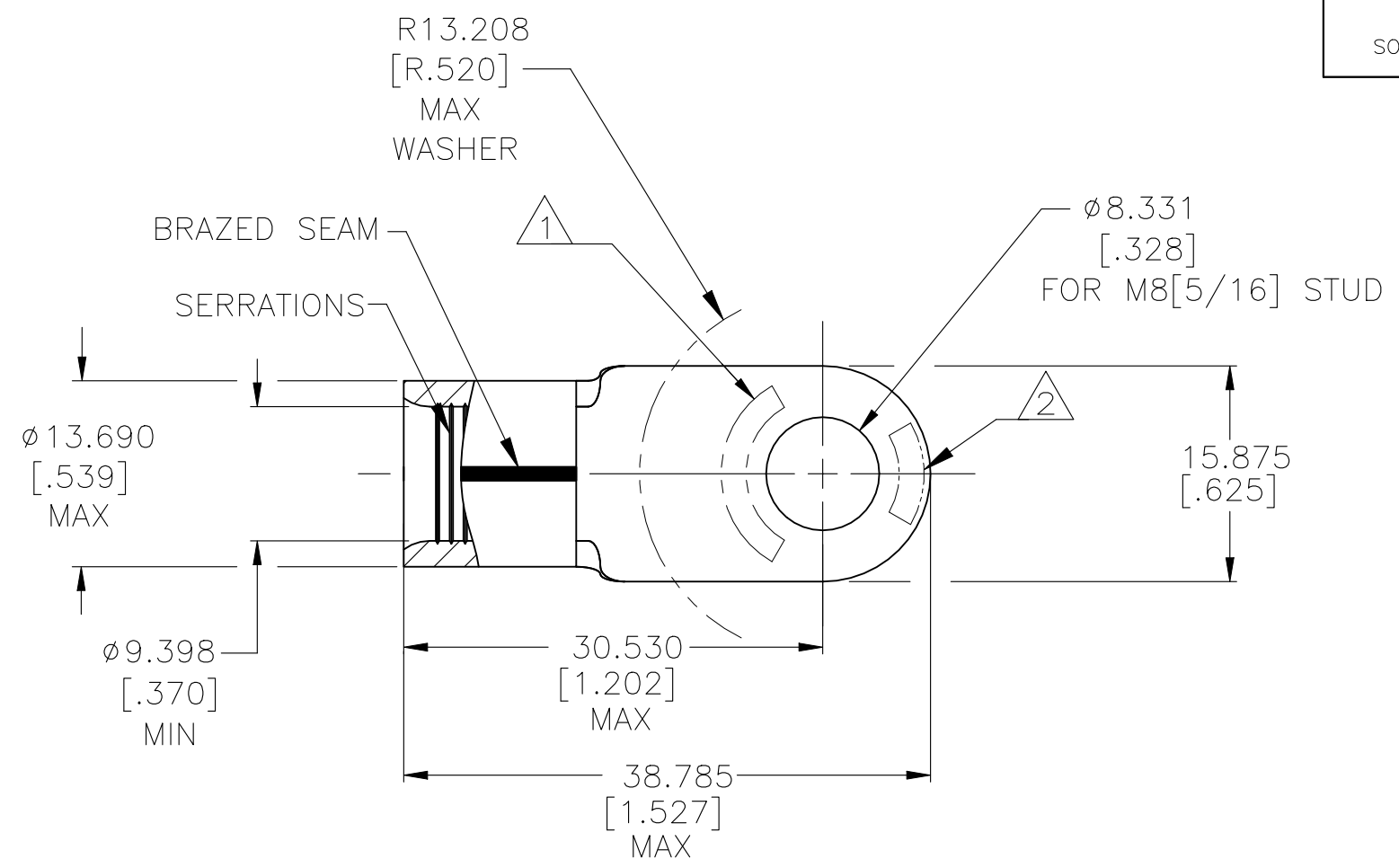
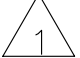



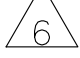











THIS DRAWING IS UNPUBLISHED. RELEASED FOR PUBLICATION  
 © COPYRIGHT - By - ALL RIGHTS RESERVED.


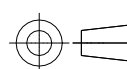


REVISIONS				
P	LTR	DESCRIPTION	DATE	APVD
	J7	REVISED PER ECO-21-007618	23JUL2021	RK DR

<b>AMP</b> WIRE RANGE	 Listed FILE E13288	 LR7189 Certified	MILITARY P/N AND CLASS 
2 AWG SOLID OR STRANDED	2 AWG STRANDED	2 AWG SOLID OR STRANDED	MS 20659-147 CLASS 2



-  STAMP AMP 2W\* APPROX AS SHOWN.
-  STAMP 60-75 APPROX AS SHOWN.
- 3 MATERIAL THK: 1.778±0.076[.070±.003].
-  TIN PL 0.00254[.000100] MIN EXT. THK PER ASTM B545
-  NICKEL PL 0.00762[.000300] MIN EXT THK PER SAE AMS QQ-N-290.
-  PRODUCT SPECIFICATION: SAE AS7928
- 7 NOTE DELETED
- 8 NOTE DELETED
-  PRODUCT SPECIFICATION: UL 486A-B

25	↑ LOOSE PIECE ↓	170°C[338°F]		1	8-322870-3
50		343°C[650°F]		1	2-322870-2
50		343°C[650°F]		2	322870-3
50		170°C[338°F]		2	322870-1 
50		170°C[338°F]		1	322870  
QTY.	PACKAGE TYPE	MAX TEMP RATING	FINISH	SHEET	PART NO.

<b>AMP INCORPORATED</b> CUSTOMER SERVICE SYSTEMS		MAX RECOMMENDED OPERATING TEMPERATURE: SEE TABLE	THIS DRAWING IS A CONTROLLED DOCUMENT.		DWN DK SCHRUM 5/25/93	 TE Connectivity			
FOR ADDITIONAL PRODUCT INFORMATION OR COPIES OF DRAWINGS AND TECHNICAL DOCUMENTS	PRODUCT INFORMATION CENTER 1-800-522-6752	VOLTAGE RATING: N/A	DIMENSIONS: mm[INCHES]	TOLERANCES UNLESS OTHERWISE SPECIFIED:	CHK RD HEIM 1/27/94				NAME TERMINAL, RING TONGUE, SOLISTRAND AND STRATO-THERM, WIRE SIZE: 2 AWG
FOR APPLICATION TOOLING INFORMATION	TOOLING ASSISTANCE CENTER 1-800-722-1111	CIRCULAR MIL AREA: 26.7-42.4mm² [52,600-83,700] SOLID OR STRANDED		0 PLC ± - 1 PLC ± - 2 PLC ± - 3 PLC ± 0.127 [.005] 4 PLC ± - ANGLES ± -	APVD JL MECKLEY 1/27/94	PRODUCT SPEC  			
FOR ORDER ENTRY	1-800-526-5142		MATERIAL COPPER ASTM B-152 ANNEALED	FINISH SEE TABLE	APPLICATION SPEC -	SIZE A3	CAGE CODE 00779	DRAWING NO C-322870	RESTRICTED TO -
CUSTOMER DRAWING					WEIGHT -	SCALE 2:1		SHEET 1 OF 2	REV J7

THIS DRAWING IS UNPUBLISHED.

RELEASED FOR PUBLICATION

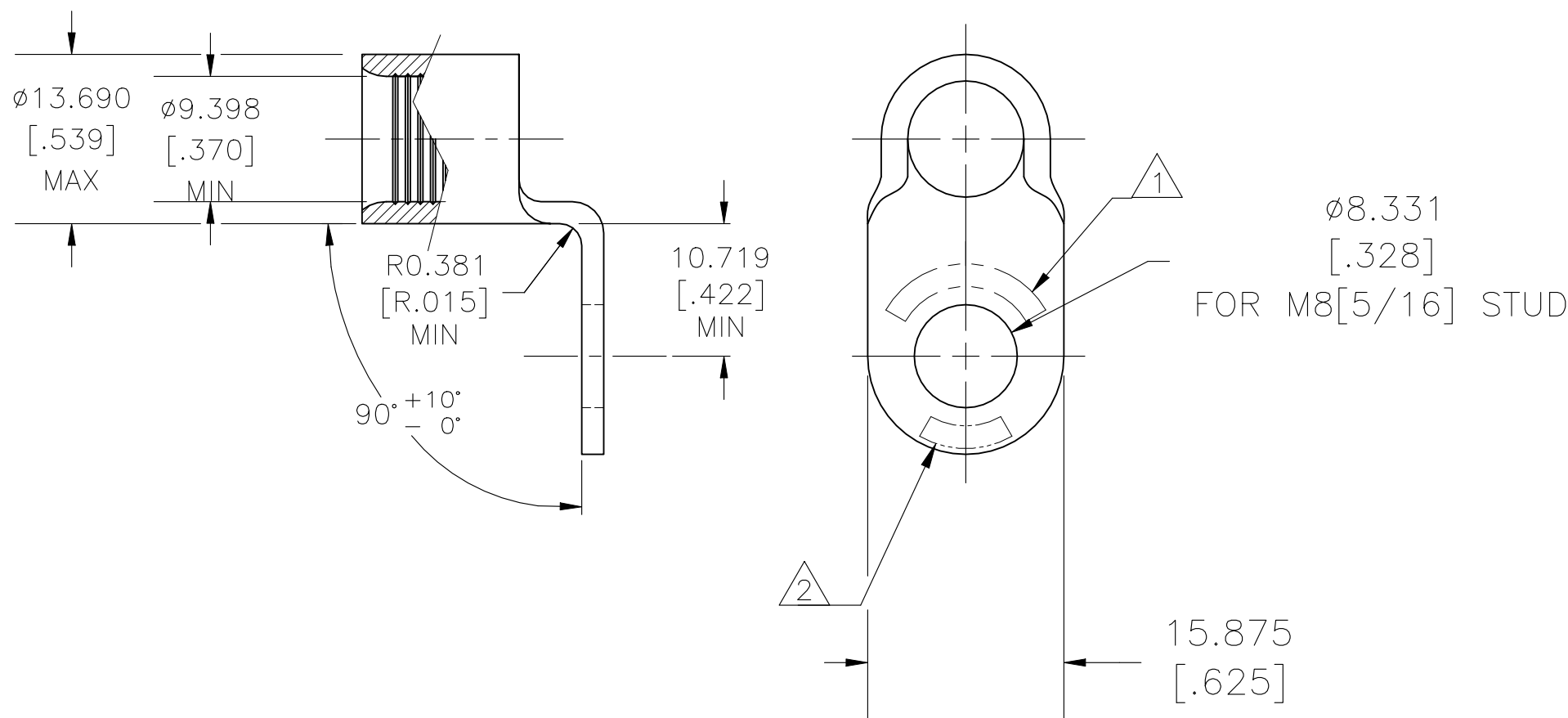
-. -. .

REVISIONS

© COPYRIGHT - By -

ALL RIGHTS RESERVED.

P	LTR	DESCRIPTION	DATE	DWN	APVD
-	-	SEE SHEET 1	-	-	-



FOR P/N 322870-1 & -3 ONLY

### AMP INCORPORATED CUSTOMER SERVICE SYSTEMS

MAX RECOMMENDED OPERATING TEMPERATURE:  
SEE TABLE

THIS DRAWING IS A CONTROLLED DOCUMENT.

DWN DK SCHRUM 5/25/93



FOR ADDITIONAL PRODUCT INFORMATION OR COPIES OF DRAWINGS AND TECHNICAL DOCUMENTS

PRODUCT INFORMATION CENTER  
1-800-522-6752

VOLTAGE RATING:  
N/A

DIMENSIONS:  
mm[INCHES]

TOLERANCES UNLESS OTHERWISE SPECIFIED:

CHK RD HEIM 1/27/94

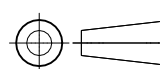
APVD JL MECKLEY 1/27/94

NAME  
TERMINAL, RING TONGUE,  
SOLISTRAND AND STRATO-THERM, WIRE SIZE: 2 AWG

FOR APPLICATION TOOLING INFORMATION

TOOLING ASSISTANCE CENTER  
1-800-722-1111

CIRCULAR MIL AREA:  
26.7-42.4mm<sup>2</sup> [52,600-83,700]  
SOLID OR STRANDED



- 0 PLC ± -
- 1 PLC ± -
- 2 PLC ± -
- 3 PLC ± 0.127 [.005]
- 4 PLC ± -
- ANGLES ± -

PRODUCT SPEC

APPLICATION SPEC

SIZE	CAGE CODE	DRAWING NO	RESTRICTED TO
A3	00779	C-322870	-

FOR ORDER ENTRY 1-800-526-5142

MATERIAL  
COPPER ASTM B-152  
ANNEALED

FINISH  
SEE TABLE

WEIGHT  
CUSTOMER DRAWING

SCALE 2:1 SHEET 2 OF 2 REV J7

单击下面可查看定价，库存，交付和生命周期等信息

[>>TE Connectivity\(泰科\)](#)