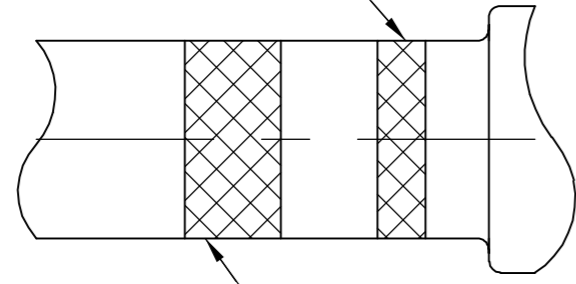


THIS DRAWING IS UNPUBLISHED. RELEASED FOR PUBLICATION
 © COPYRIGHT BY TYCO ELECTRONICS CORPORATION. ALL RIGHTS RESERVED.

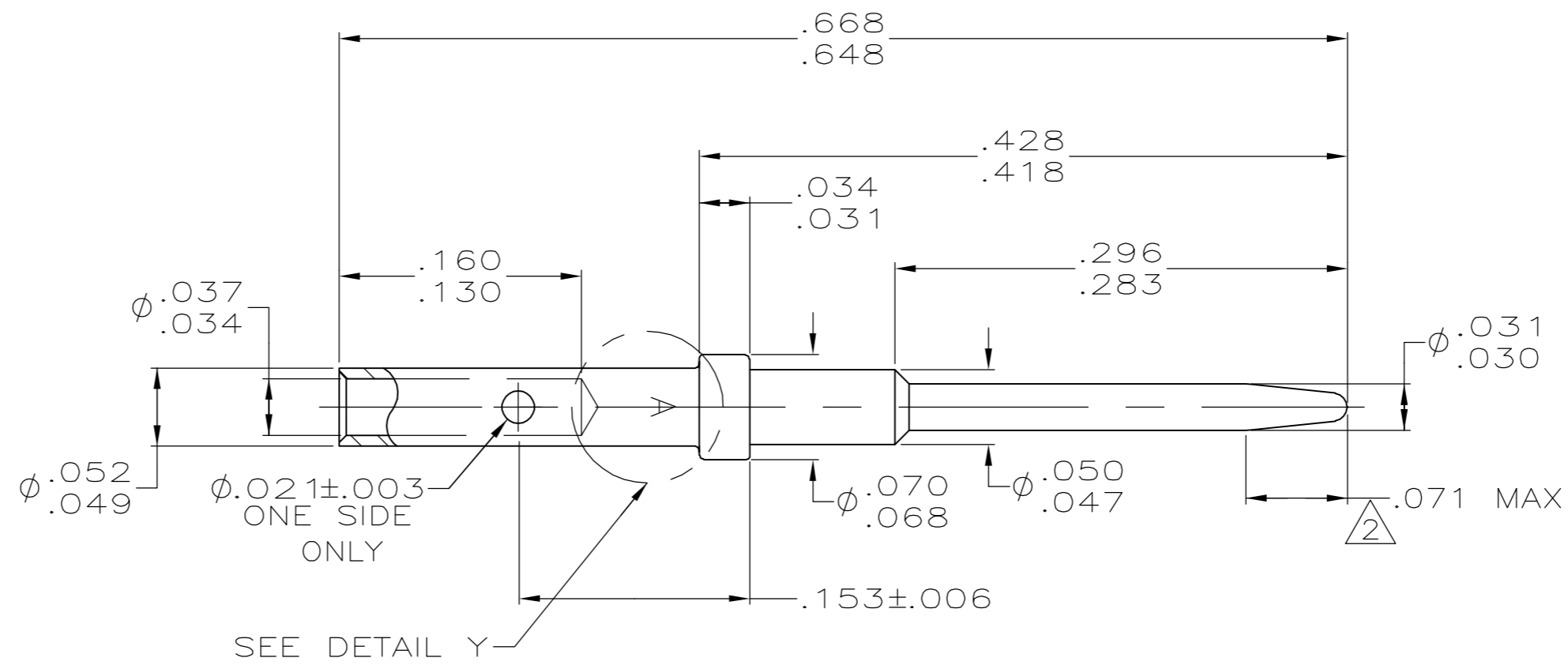
LOC	DIST	REVISIONS					
DF	A0	P	LTR	DESCRIPTION	DATE	DWN	APVD
		H		REV PER EC 0H14-0154-04	23JAN06	TK	CT

ORANGE COLOR CODE



GREEN COLOR CODE

DETAIL Y
 SCALE 20:1
 (208262-3 ONLY)



- $\Delta 1$ FINISH: PLATED .000050 MIN THK GOLD PER MIL-G-45204 OVER .000050 MIN THK NICKEL PER QQ-N-290.
- $\Delta 2$ POINT OF ELECTRICAL ENGAGEMENT.

COLOR CODED	208262-3
AS SHOWN	208262-2
DESCRIPTION	PART NUMBER

THIS DRAWING IS A CONTROLLED DOCUMENT.		DWN	C.C.THOMAS	10/24/00	Tyco Electronics Corporation Harrisburg, PA 17105-3608							
DIMENSIONS: INCHES		CHK	S.GLATFELTER	10/24/00								
TOLERANCES UNLESS OTHERWISE SPECIFIED:		APVD	S.GLATFELTER	10/24/00								
0 PLC ± - 1 PLC ± - 2 PLC ± - 3 PLC ± .005 4 PLC ± - ANGLES ± - FINISH Δ		PRODUCT SPEC	NAME			PIN CONTACT, SIZE 22, ARINC 600						
MATERIAL	COPPER ALLOY	APPLICATION SPEC	-		SIZE	A2	CAGE CODE	00779	DRAWING NO	C=208262	RESTRICTED TO	-
CUSTOMER DRAWING		WEIGHT	-		SCALE	10:1	SHEET	1 OF 1	REV	H		

单击下面可查看定价，库存，交付和生命周期等信息

[>>TE Connectivity\(泰科\)](#)