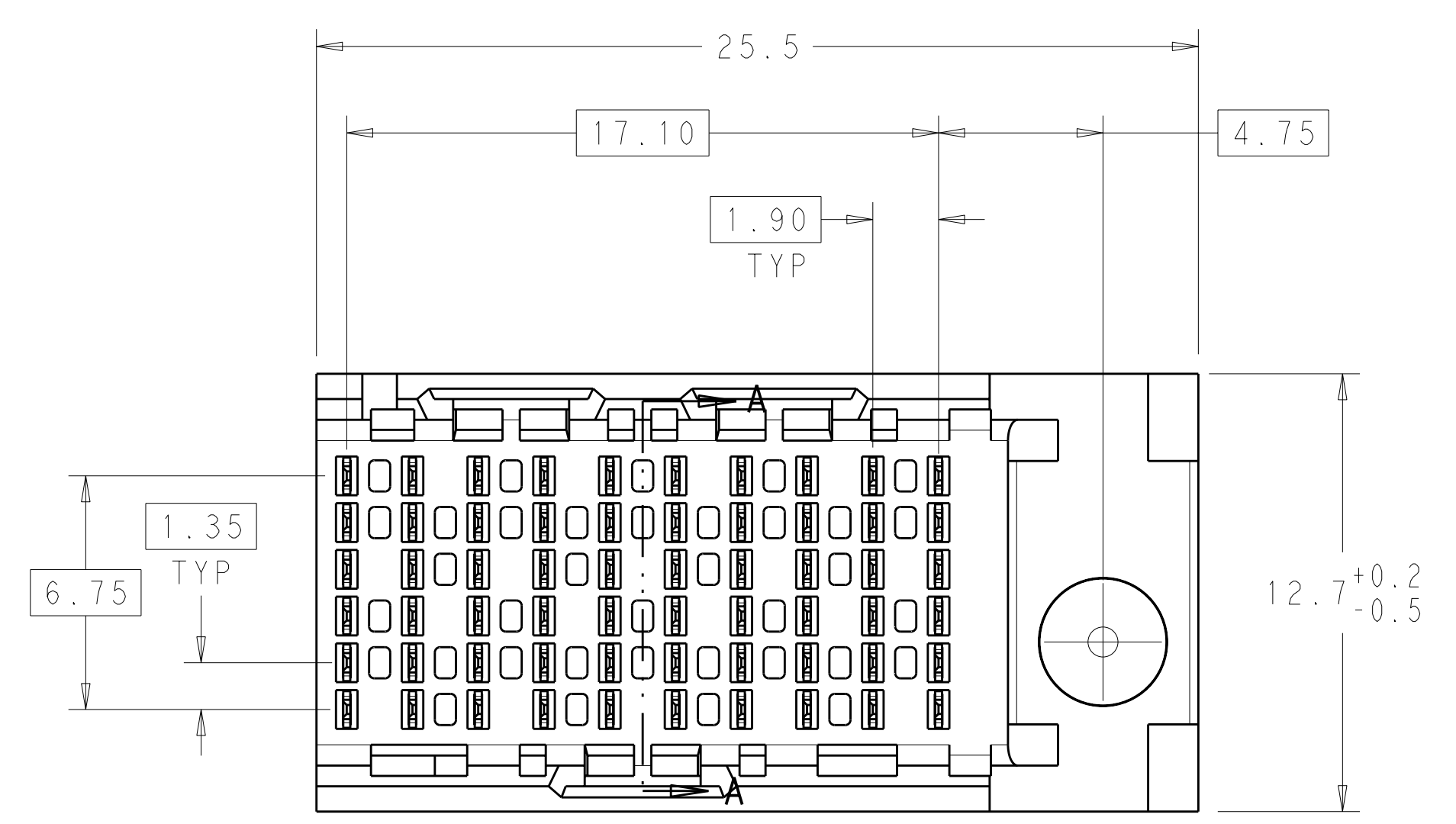
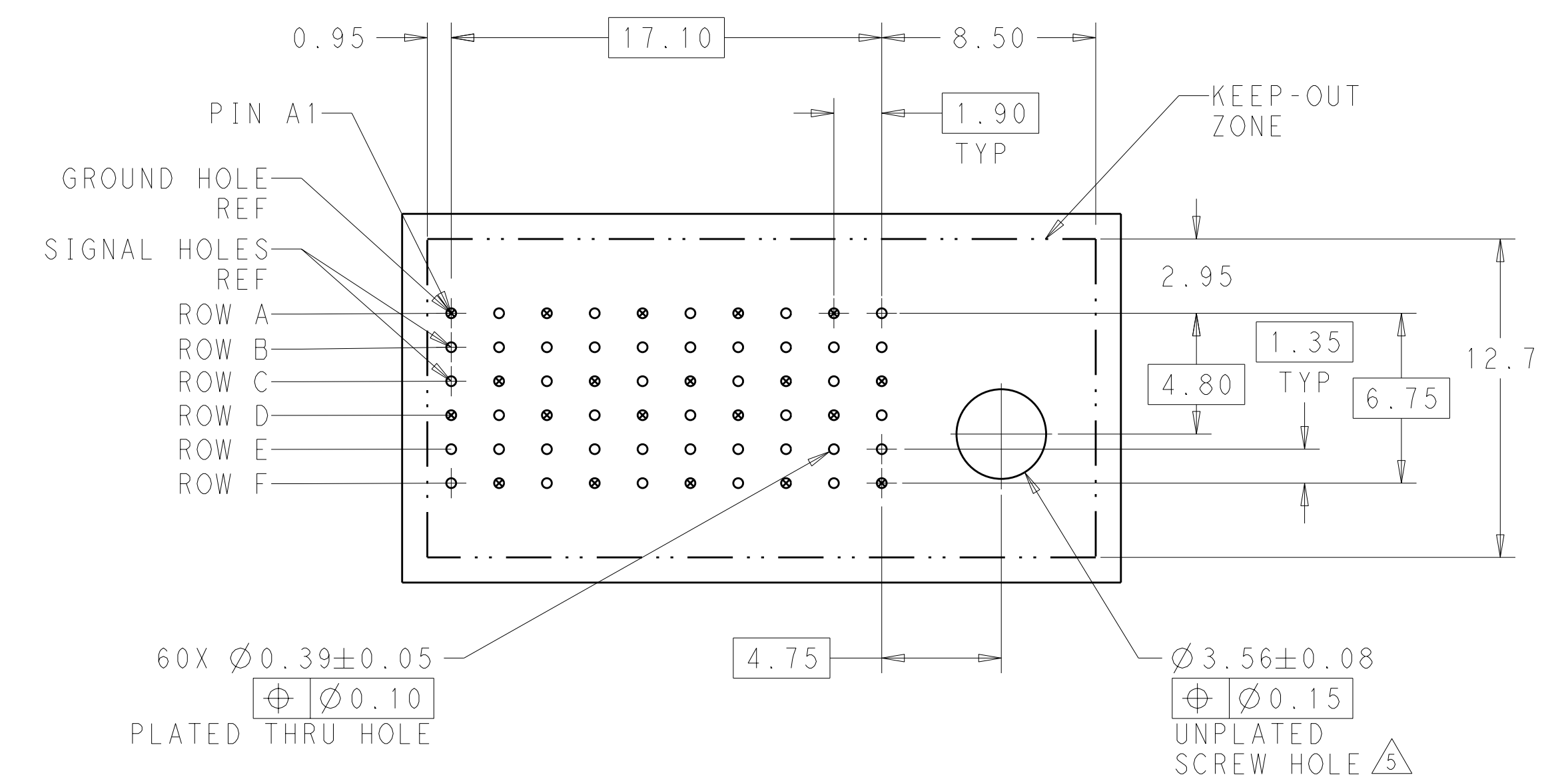
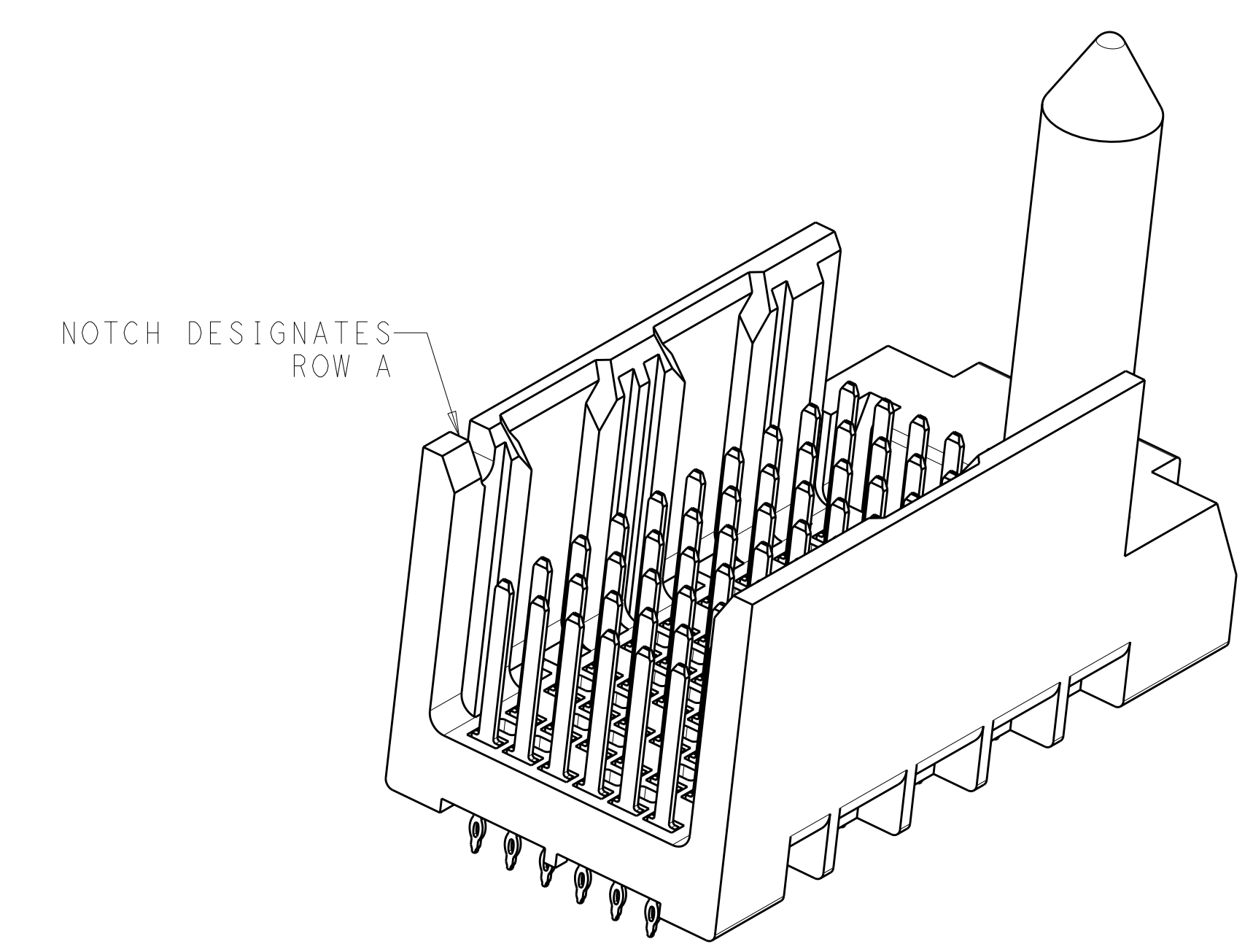


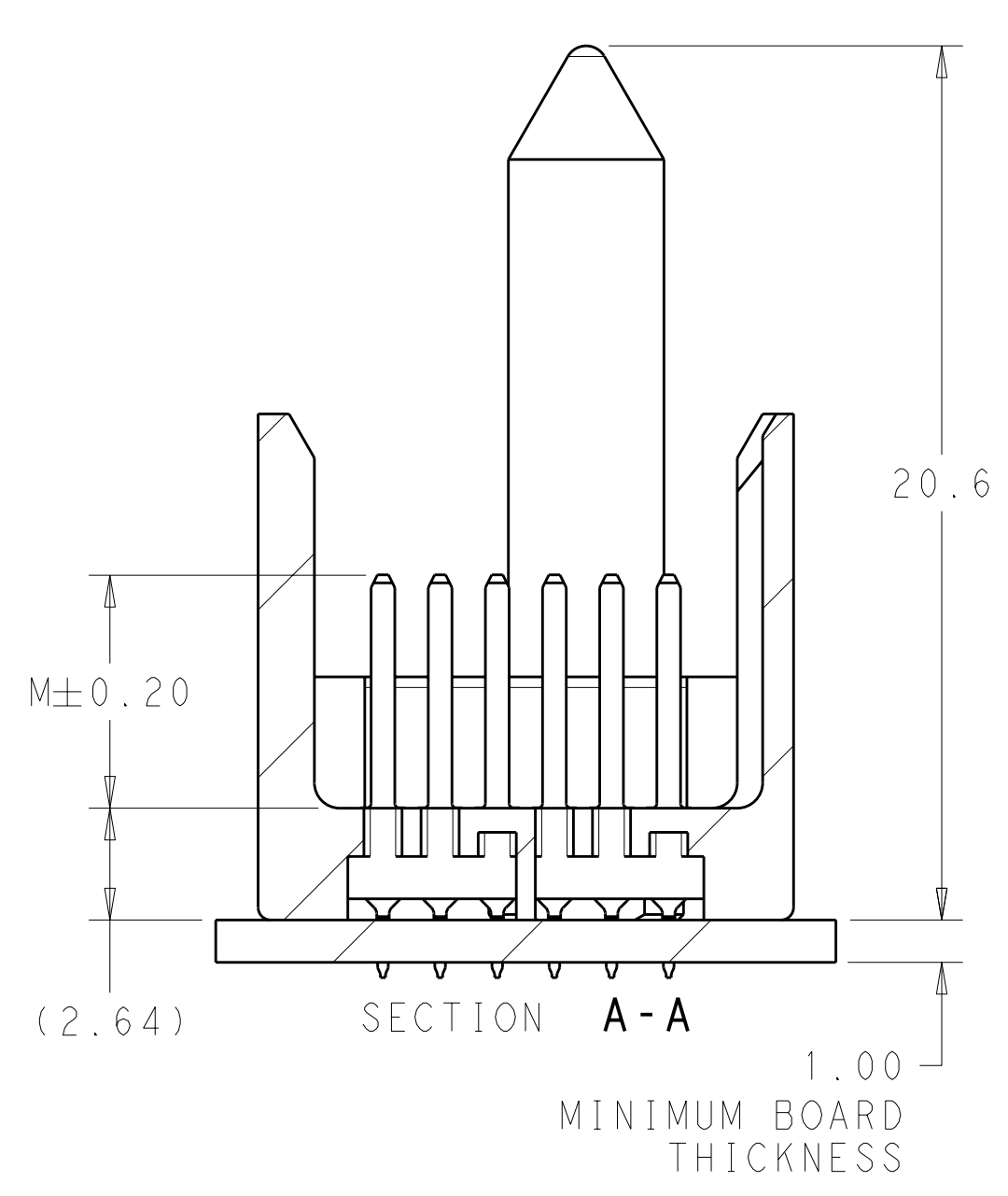
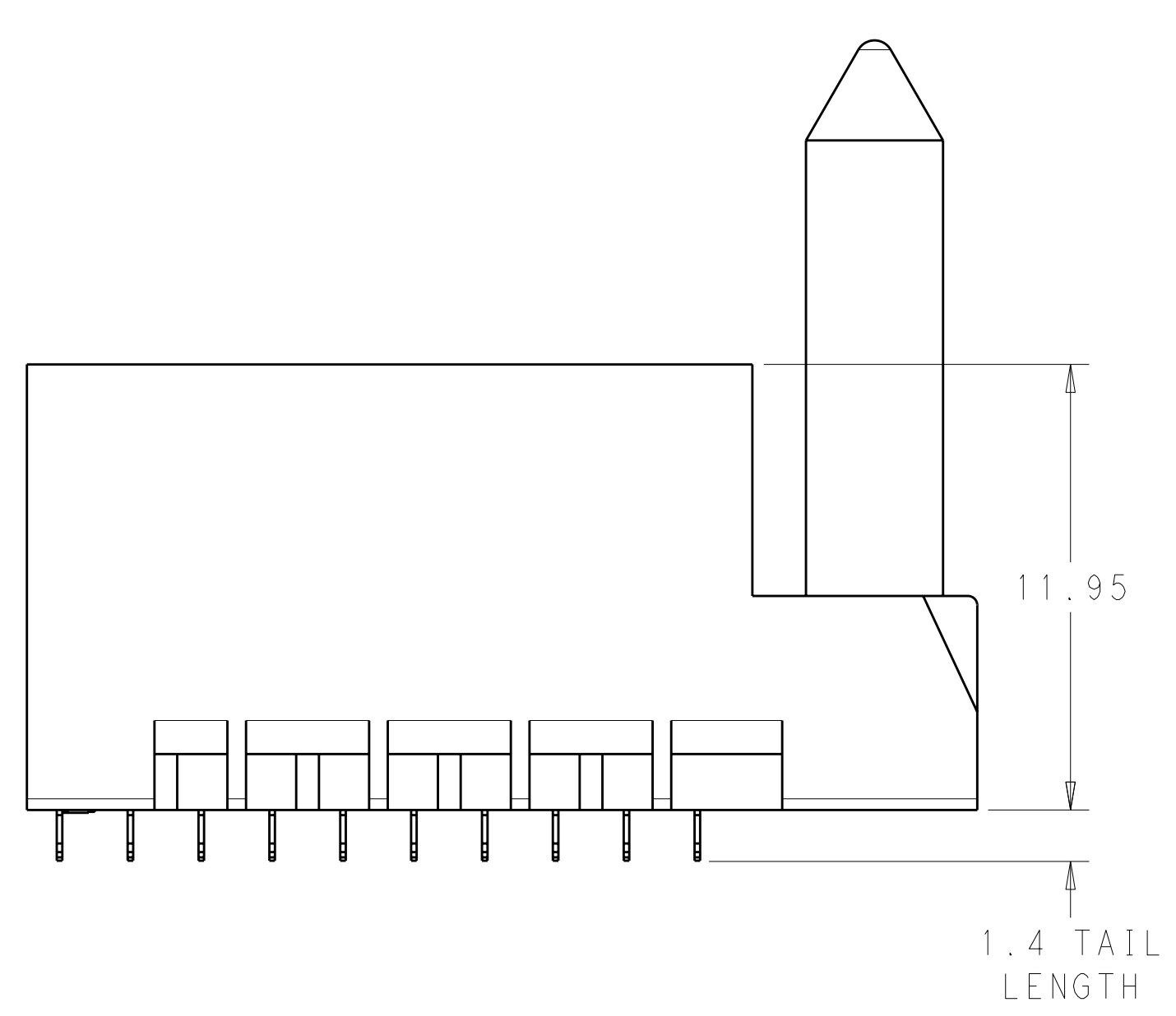
LOC	DIST	REVISIONS			
P	LTN	DESCRIPTION	DATE	DWN	APVD
AD	00	1	DRAWING CREATED BY AUTOMATION PROGRAM	18JUL2011	JKS JE
		A	RELEASED	24FEB2012	BC DY



- 1 MATERIAL:  
HOUSING: LCP, GLASS FILLED, UL94V-0.  
TERMINALS: HIGH PERFORMANCE COPPER ALLOY.
- 2 FINISH:  
30µ" MIN GOLD IN CONTACT AREA. SELECTIVE TIN  
ON PCB TAILS, NICKEL OVERALL.
- 3 FINISH:  
30µ" MIN GOLD IN CONTACT AREA. SELECTIVE TIN-LEAD  
ON PCB TAILS, NICKEL OVERALL.
- 4. SCREWS PACKAGED IN END OF PACKAGING TUBE.
- 5 FOR GROUNDED GUIDE PIN USE  $\varnothing 3.56 \pm 0.08$  PTH,  
 $\varnothing 3.66$  DRILL, AND  $\varnothing 6.5$  PAD.



RIGHT GUIDED  
 BACKPLANE HOLE PATTERN  
 (CONNECTOR SIDE)



THIS DRAWING IS A CONTROLLED DOCUMENT.		DWN J. K. SHOBER 18JUL2011	TE Connectivity NAME: IMPACT, 2 PAIR, 10 COLUMN, HEADER RIGHT GUIDED, OPEN END WALL SELECT LOAD, SIGNAL MODULE, 0.39 PTH SIZE: CAGE CODE DRAWING NO: A1100779C=2180312 RESTRICTED TO:
DIMENSIONS:		CHK J. EARY 18JUL2011	
TOLERANCES UNLESS OTHERWISE SPECIFIED:		APVD J. EARY 18JUL2011	
9 PLC ± 1 PLC ±0.25 3 PLC ±0.13 4 PLC ± ANGLES ±		PRODUCT SPEC APPLICATION SPEC WEIGHT FINISH SEE TABLE	
MATERIAL		CUSTOMER DRAWING SCALE: 6:1 SHEET 1 OF 2 REV A	

THIS DRAWING IS UNPUBLISHED. RELEASED FOR PUBLICATION 20  
 BY: ALL RIGHTS RESERVED.

LOC	DIST	REVISIONS				
		P	LTB	DATE	DWN	APVD
AD	00	-	-	SEE SHEET 1	-	-

2180312-1										
PART NUMBER		FINISH								
CONTACT LAYOUT										
A = 4.5mm (DIM M)										
B = 4.9mm (DIM M)										
C = 5.5mm (DIM M)										
COLUMNS										
	1	2	3	4	5	6	7	8	9	10
A	C	C	C	C	C	C	C	C	C	C
B	C	C	C	C	C	C	C	C	C	C
C	C	C	C	C	C	C	C	C	C	C
D	C	C	C	C	C	C	C	C	C	C
E	C	C	C	C	C	C	C	C	C	C
F	C	C	C	C	C	C	C	C	C	A

REFER TO WWW.TE.COM  
FOR PRODUCT AVAILABILITY

THIS DRAWING IS A CONTROLLED DOCUMENT.		DWN	J. K. SHOBER	18JUL2011	TE Connectivity
		CHK	J. EARY	18JUL2011	
		APVD	J. EARY	18JUL2011	NAME IMPACT, 2 PAIR, 10 COLUMN, HEADER RIGHT GUIDED, OPEN END WALL SELECT LOAD, SIGNAL MODULE, 0.39 PTH
DIMENSIONS:		TOLERANCES UNLESS OTHERWISE SPECIFIED:		PRODUCT SPEC	
mm		9 PLC ±		APPLICATION SPEC	SIZE CAGE CODE DRAWING NO RESTRICTED TO
		1 PLC ±0.25		WEIGHT	
		2 PLC ±0.13		CUSTOMER DRAWING	
		3 PLC ±		SCALE	5:1
		4 PLC ±		SHEET	2
		5 PLC ±		OF	2
		6 PLC ±		REV	A
		ANGLES			
		FINISH			
MATERIAL		SEE TABLE			

单击下面可查看定价，库存，交付和生命周期等信息

[>>TE Connectivity\(泰科\)](#)