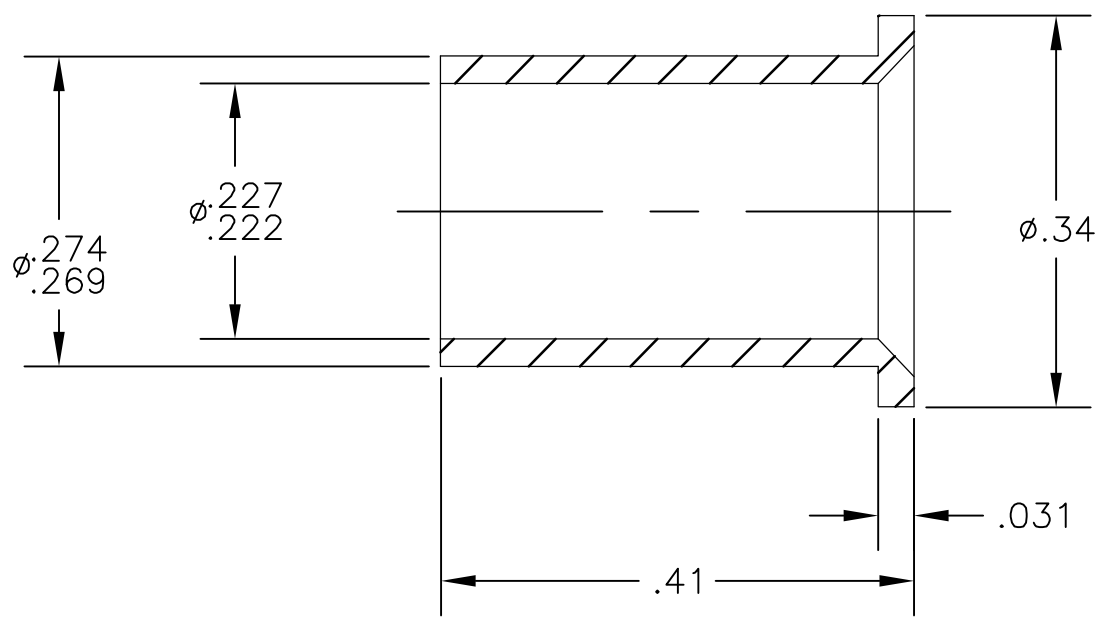


THIS DRAWING IS UNPUBLISHED. RELEASED FOR PUBLICATION
 © COPYRIGHT - BY TYCO ELECTRONICS CORPORATION. ALL RIGHTS RESERVED.

LOC	DIST	REVISIONS					
GP	00	P	LTR	DESCRIPTION	DATE	DWN	APVD
			A	RELEASED	28JUN06	RG	SF



4 FINISH: SILVER PLATE .000200 MIN THK. OVER NICKEL .000040 MIN THK.

3 MATERIAL: COPPER ALLOY

2. ITEMS PROVIDED TO THIS SPECIFICATION SHALL BE IDENTIFIED ON THE CONTAINER WITH THE FOLLOWING INFORMATION: PART NUMBER & DATE CODE OF MFR.

1. PART NUMBER CHANGES AND/OR DESIGN CHANGES AFFECTING ITEM INTERCHANGEABILITY REQUIRE PRIOR TYCO APPROVAL AND AUTHORIZATION BY REVISION TO THIS DRAWING.

AS SHOWN	1766813-1
DESCRIPTION	PART NUMBER

THIS DRAWING IS A CONTROLLED DOCUMENT.		DWN R.GRZYBOWSKI 28JUN06	Tyco Electronics Corporation	
DIMENSIONS: INCHES		CHK S.FLICKINGER 28JUN06	Harrisburg, PA 17105-3608	
TOLERANCES UNLESS OTHERWISE SPECIFIED:		APVD S.FLICKINGER 26JUN06	NAME	
0 PLC ± -		PRODUCT SPEC	BUSHING, SIZE NO.4 REDUCER	
1 PLC ± -		APPLICATION SPEC	CRIMP TO SIZE NO.6 AWG	
2 PLC ± .02		WEIGHT -	SIZE A3	CAGE CODE 00779
3 PLC ± .010		FINISH	DRAWING NO	RESTRICTED TO
4 PLC ± -			C-1766813	-
ANGLES ± .5		CUSTOMER DRAWING		SCALE 6:1
MATERIAL 3		SHEET 1 OF 1		REV A

单击下面可查看定价，库存，交付和生命周期等信息

[>>TE Connectivity\(泰科\)](#)