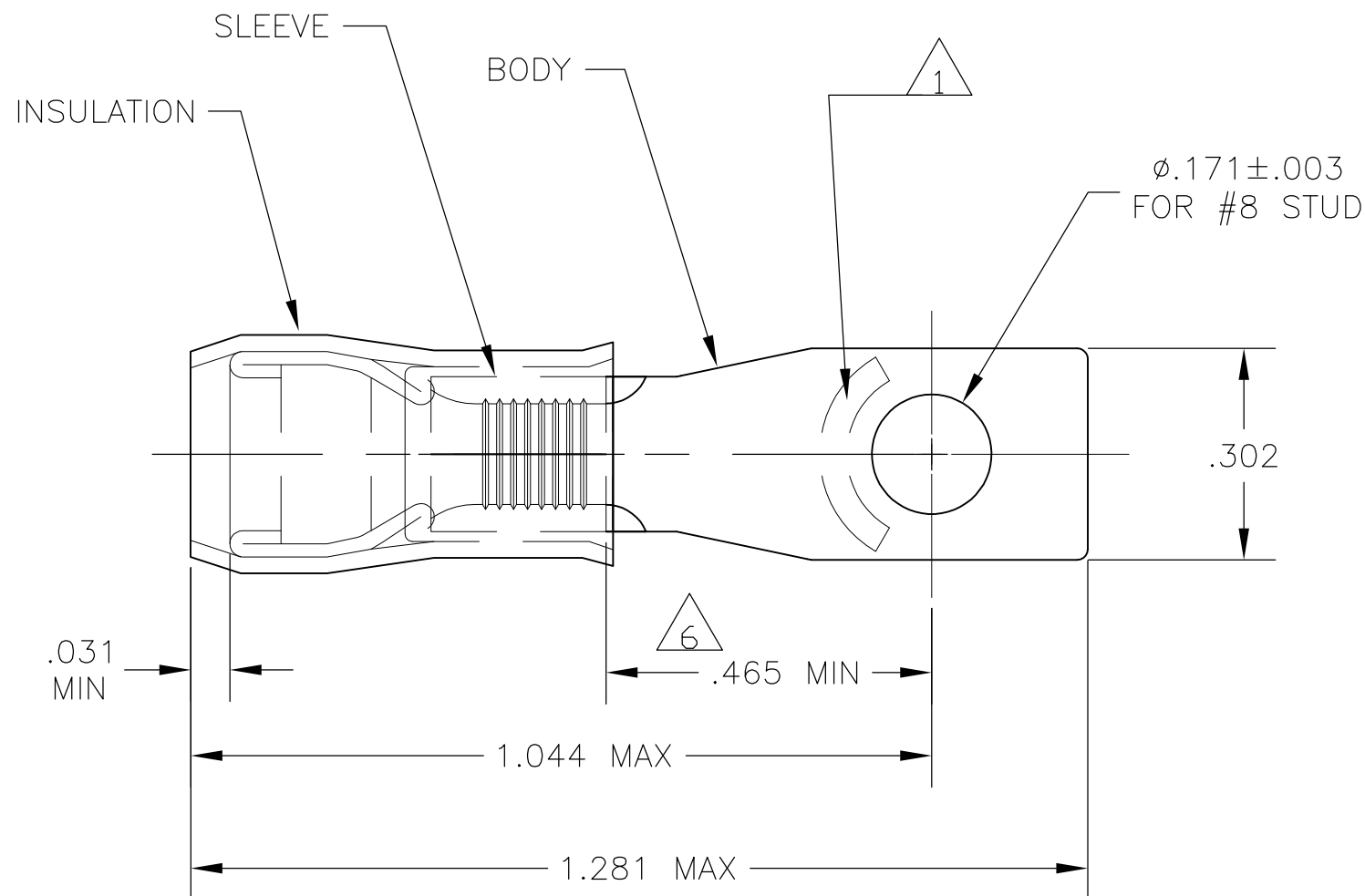


THIS DRAWING IS UNPUBLISHED. RELEASED FOR PUBLICATION
 © COPYRIGHT BY TYCO ELECTRONICS CORPORATION. ALL RIGHTS RESERVED.

LOC	DIST	REVISIONS			
P	LTR	DESCRIPTION	DATE	DWN	APVD
G	14	K1	REV PER ECR 09-027414	16DEC09	JR TM



- 1 STAMP AMP 12-10* APPROX AS SHOWN
- 2 WIRE INSULATION DIA: .150-.230
- 3 TONGUE MATERIAL THK: .040±.002
- 4 BODY & SLEEVE: CU PER ASTM B152
 BODY & SLEEVE: TIN PLATE .000100 MIN EXT THK PER ASTM B545
 INSULATION: NYLON, COLOR - YELLOW
- 5 BODY & SLEEVE: CU PER ASTM B152
 BODY: TIN PLATE .000100 MIN EXT THK PER ASTM B545
 INSULATION: NYLON PER ASTM D4066
 COLOR - YELLOW
- 6 APPLIES FROM EDGE OF METAL WIRE BARREL TO CENTER OF STUD HOLE.
- 7 MEETS MS17143-9, CLASS 1 & 2

OBSOLETE	50	2-327948-1 ON TAPE & REEL	5	2-327948-3
OBSOLETE	500	327948 ON TAPE & REEL	4	2-327948-2
OBSOLETE	2500	LOOSE PIECE	5	2-327948-1
	---	LOOSE PIECE	4	327948
	QTY	PACKAGE TYPE	MATERIAL FINISH	PART NO

CUSTOMER SERVICE SYSTEMS		MAX RECOMMENDED OPERATING TEMPERATURE: 105°C MAX	THIS DRAWING IS A CONTROLLED DOCUMENT.		DWN JR RUTH 16DEC09	Tyco Electronics Tyco Electronics Corporation Harrisburg, Pa 17105-3608		
FOR ADDITIONAL PRODUCT INFORMATION OR COPIES OF DRAWINGS AND TECHNICAL DOCUMENTS	PRODUCT INFORMATION CENTER 1-800-522-6752	VOLTAGE RATING: 300 VOLT MAX	DIMENSIONS: INCHES	TOLERANCES UNLESS OTHERWISE SPECIFIED:	CHK T MICHIELUTTI 16DEC09	NAME TERMINAL, RECTANGULAR TONGUE, PIDG		
FOR APPLICATION TOOLING INFORMATION	TOOLING ASSISTANCE CENTER 1-800-722-1111	CIRCULAR MIL AREA: 2.62-6.64mm² [5,180-13,100] STRANDED OR SOLID		0 PLC ± - 1 PLC ± - 2 PLC ± - 3 PLC ± .008 4 PLC ± - ANGLES ± -	APVD T MICHIELUTTI 16DEC09	WIRE SIZE: 12-10 AWG		
FOR ORDER ENTRY	1-800-526-5142	THIS DRAWING IS A CONTROLLED DOCUMENT FOR AMP INCORPORATED. IT IS SUBJECT TO CHANGE AND THE CONTROLLING ENGINEERING ORGANIZATION SHOULD BE CONTACTED FOR THE LATEST REVISION.	MATERIAL SEE TABLE	FINISH SEE TABLE	PRODUCT SPEC -	SIZE A3	CAGE CODE 00779	
					WEIGHT -	DRAWING NO G-327948	RESTRICTED TO -	
					CUSTOMER DRAWING	SCALE 4:1	SHEET 1 OF 1	REV K1

单击下面可查看定价，库存，交付和生命周期等信息

[>>TE Connectivity\(泰科\)](#)