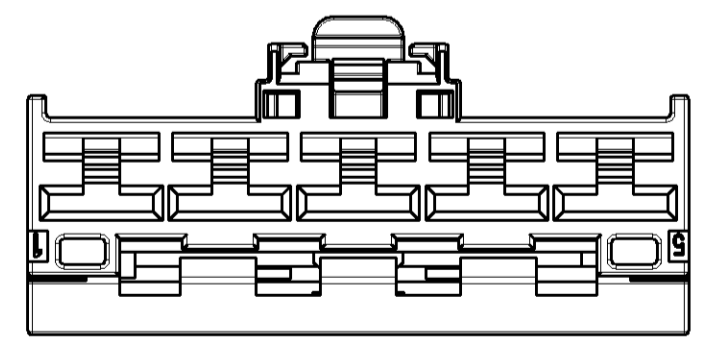
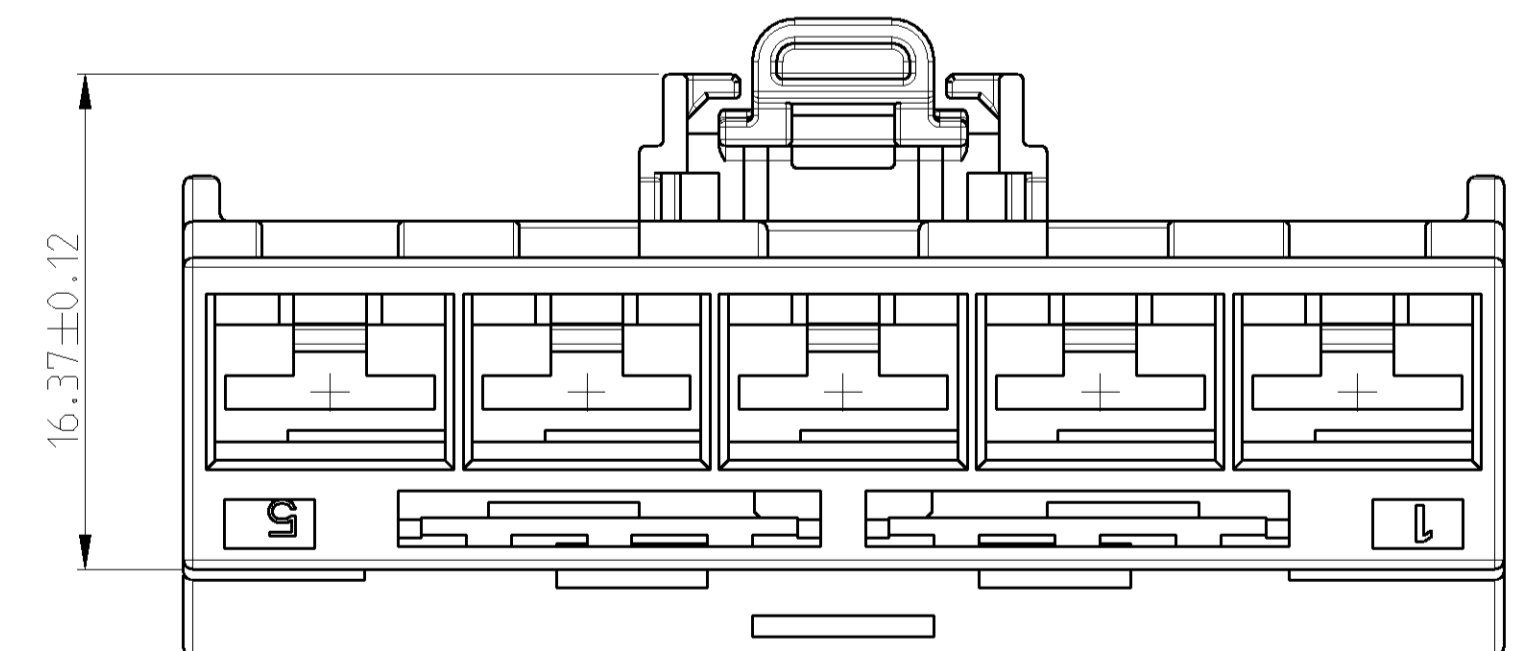
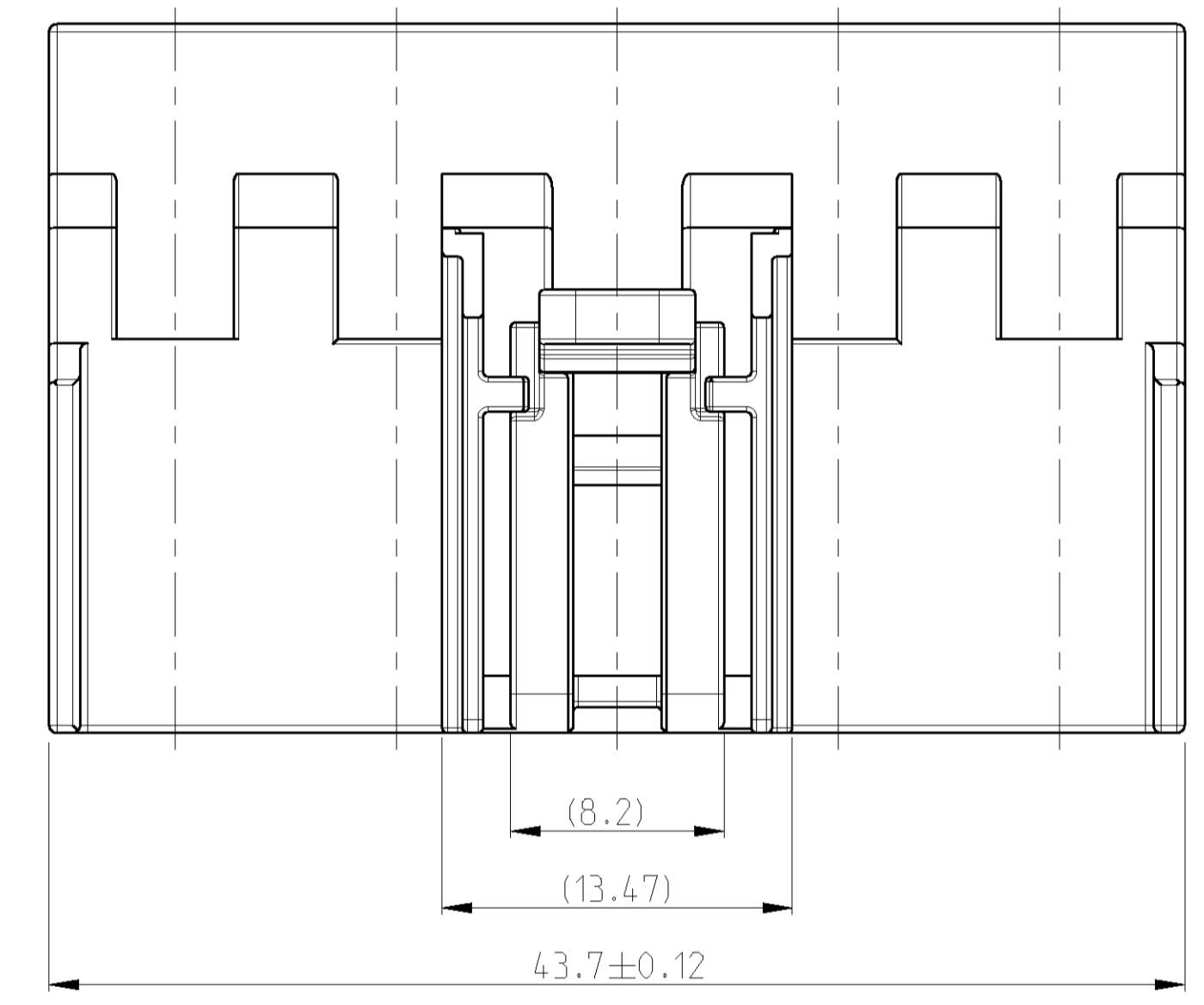
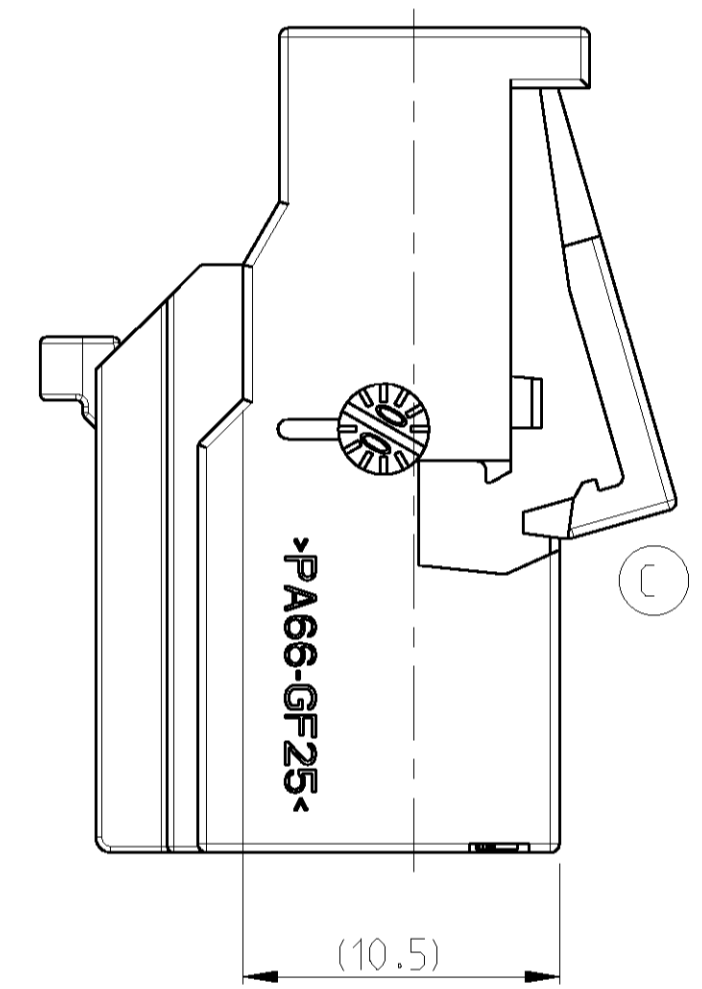
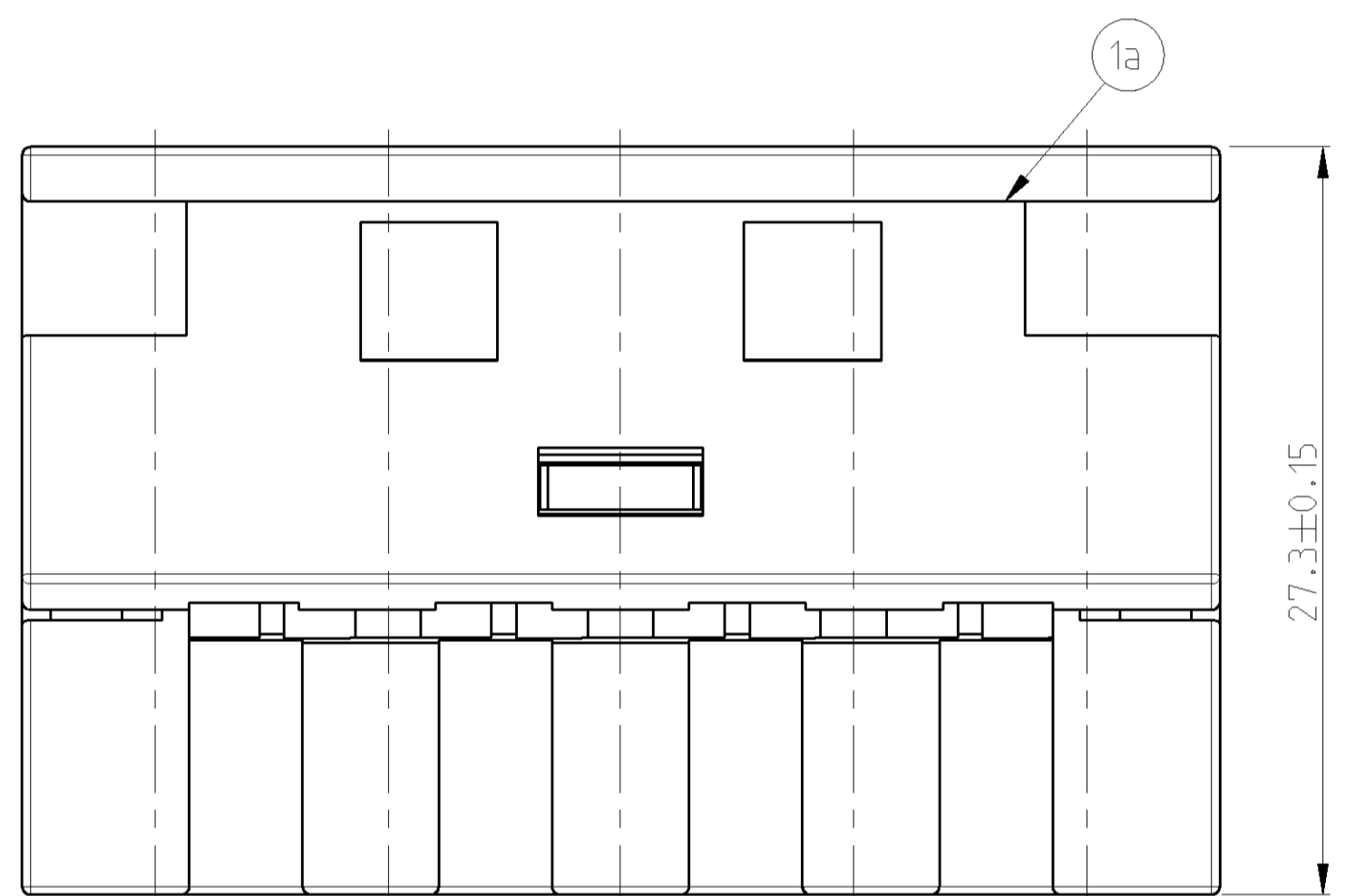
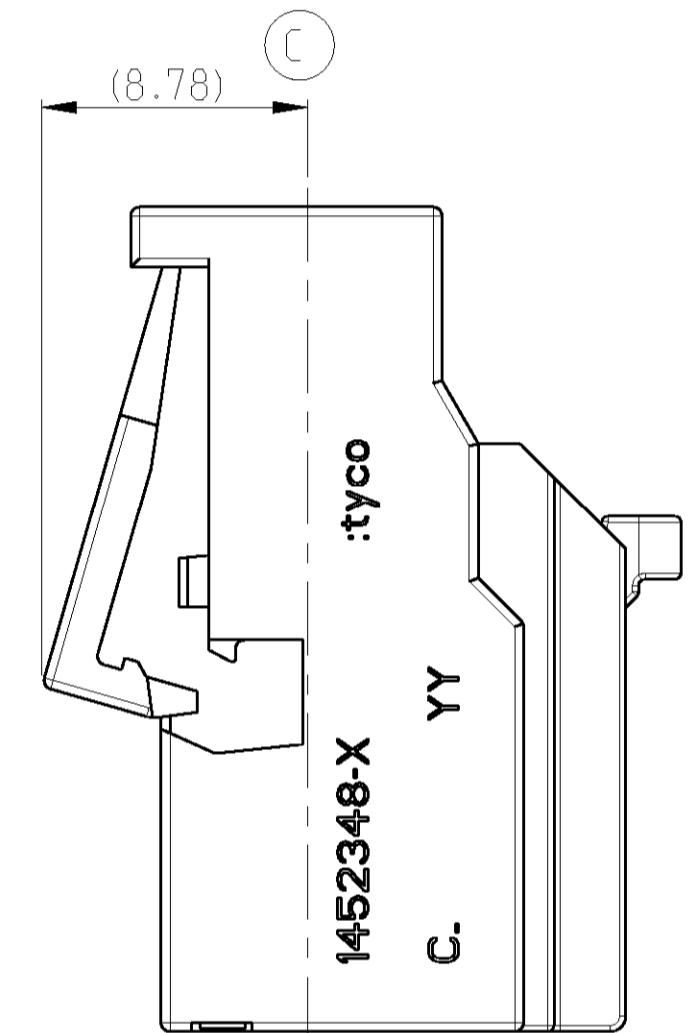
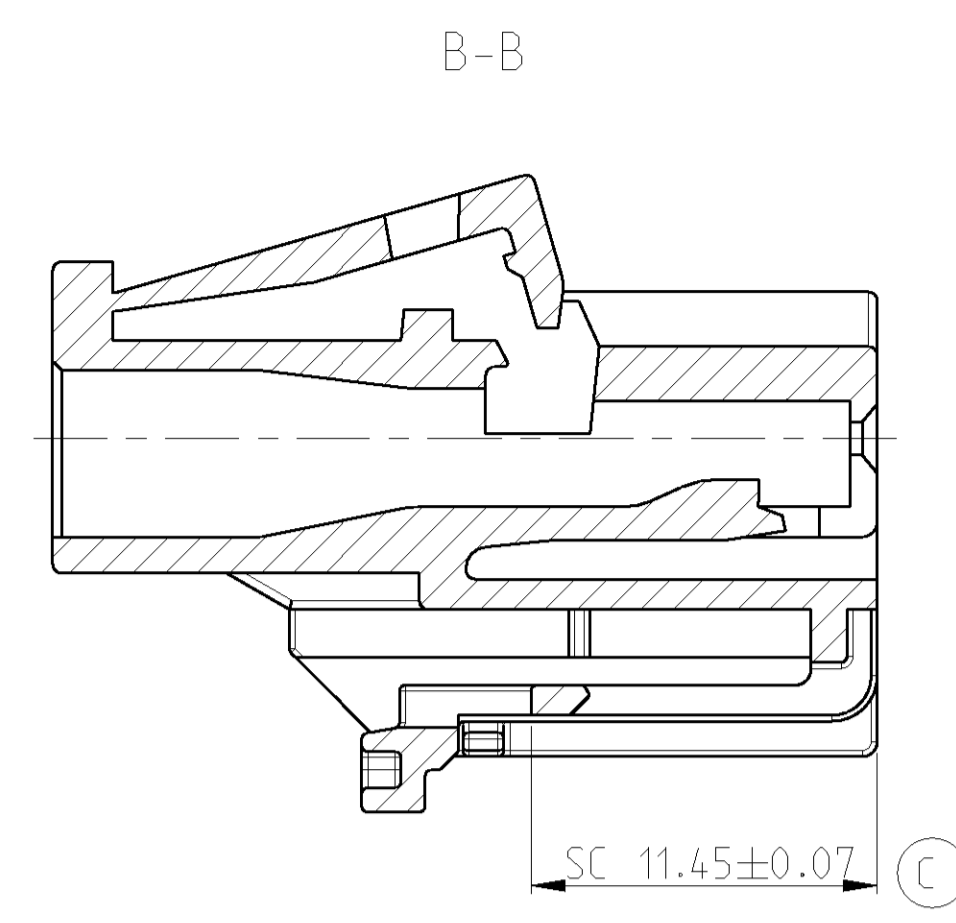
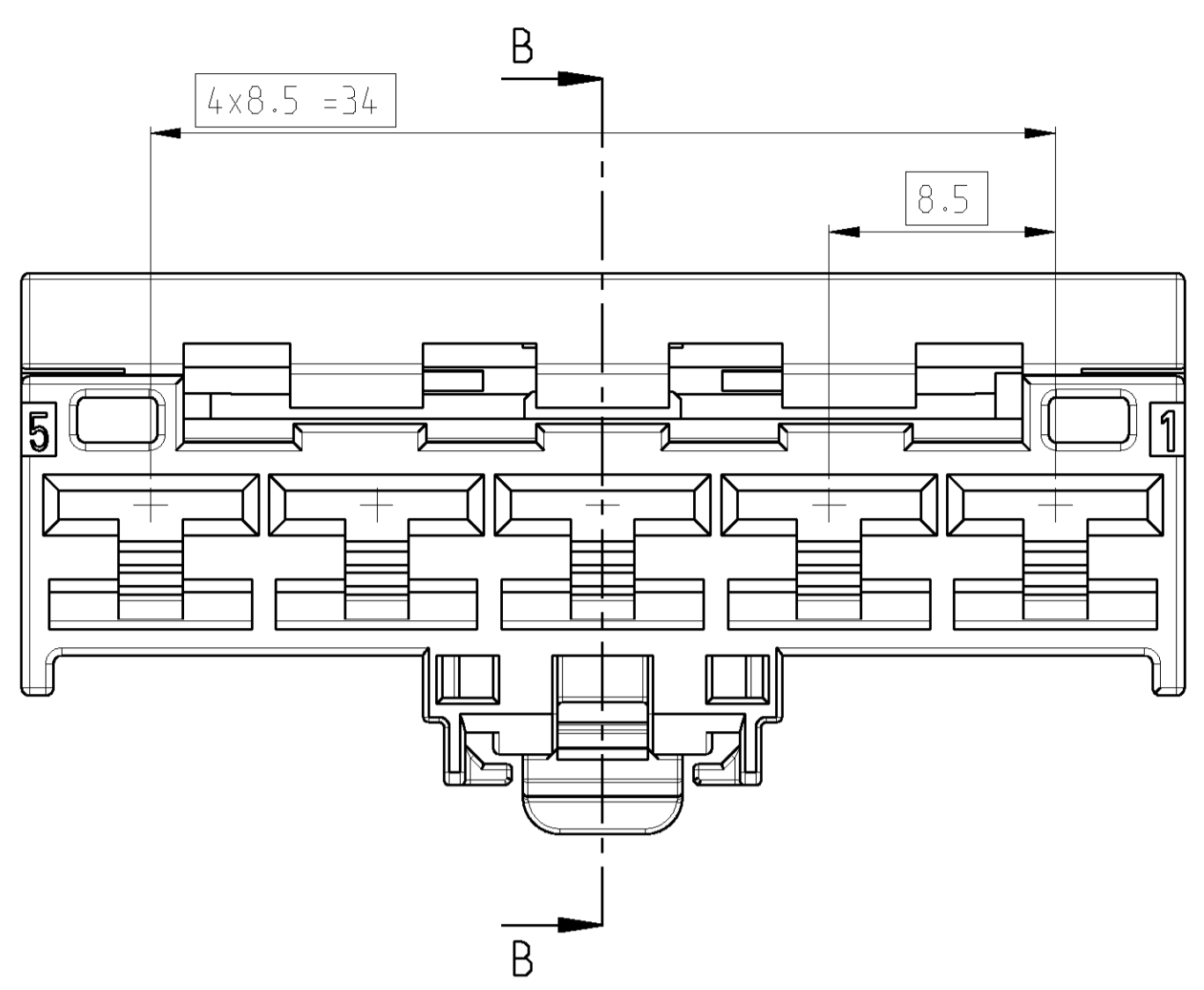
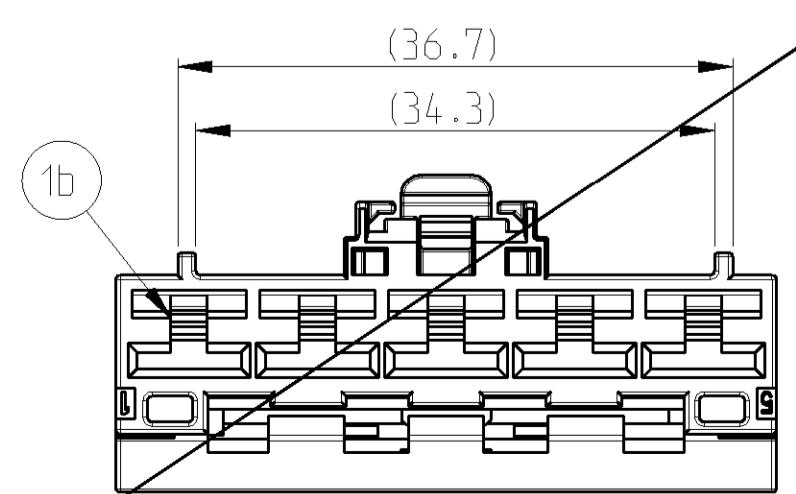


LOC		DIST		REVISIONS			
A	I	P	LTR	DESCRIPTION	DATE	DWN	APVD
		C		EG00-1192-03	11JUNE2003	CS	GM



CODING A
1452348-1



CODING B
1452348-2

TYCO ORDER-NUMBER	KEYING OPTIONS		ITEM	DESCRIPTION	MATERIAL	COLOR
	A	B				
1452348-1	-	1b	1	SOCKET HOUSING COD. B	PA66-GF25	BLACK
1452348-2	1	1a	-	SOCKET HOUSING COD. A	PA66-GF25	BLACK

DIMENSIONS: mm		TOLERANCES UNLESS OTHERWISE SPECIFIED:		DWN: M. DAUBER 14DEC2001		AMP Deutschland GmbH D - 63225 Langen	
		0 PLC # # # # 1 PLC # # # # 2 PLC # # # # 3 PLC # # # # 4 PLC # # # # ANGLES # # # # FINISH # # # #		ESK: G. MUMPER 14DEC2001 APVD: -		PRODUCT SPEC: - APPLICATION SPEC: - WEIGHT: - CUSTOMER DRAWING: -	
NAME: 5. POS. HEATER BLOWER SWITCH CONNECTOR				SIZE: A I 00779 C=1452348		RESTRICTED TO: -	
SCALE: 5:1				SHEET: 1 OF 1		REV: C	

单击下面可查看定价，库存，交付和生命周期等信息

[>>TE Connectivity\(泰科\)](#)