

4

3

2

1

THIS DRAWING IS UNPUBLISHED.



RELEASED FOR PUBLICATION

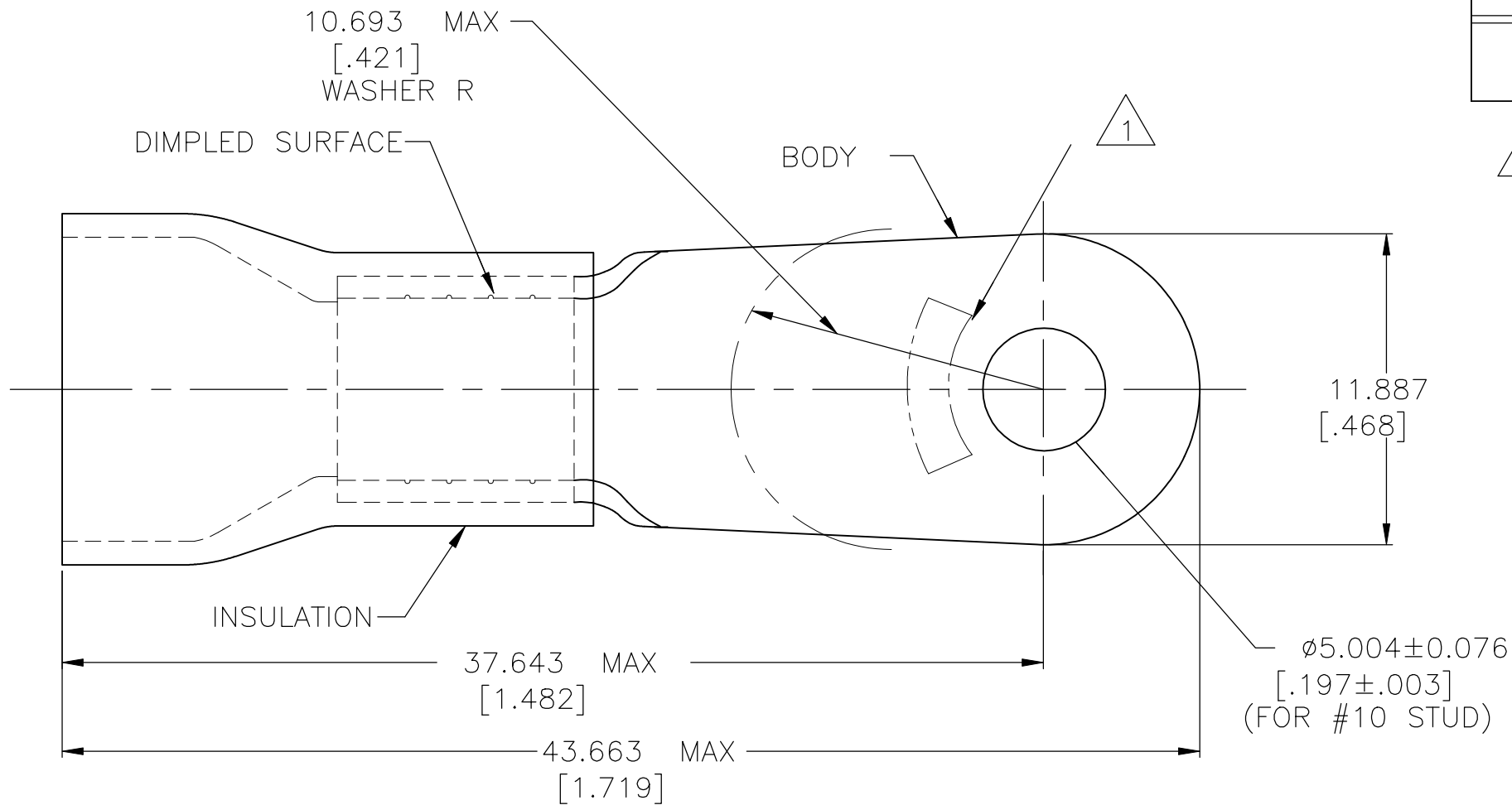
ALL RIGHTS RESERVED.

© COPYRIGHT - By -

REVISIONS


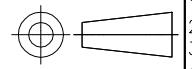
P	LTR	DESCRIPTION	DATE	DWN	APVD
P4		REVISED PER ECO-11-004917	11MAR11	RK	HMR
P5		REVISED PER ECO-17-014338	11APR2018	RS	DR

<b>AMP</b> WIRE RANGE	 FILE E13288	 LR7189 Certified
6 AWG STRANDED	6 AWG STRANDED	6 AWG STRANDED



- 1 STAMP AMP 6\* LOCATE APPROX AS SHOWN
- 2 BODY MATERIAL THK 1.143±0.051[.045±.002]
- 3 SEE TABLE FOR WIRE INSULATION DIA MAX
- 4 NOTE DELETED
- 5 TAPE ITEMS ARE ON 30.480[1.200] CENTERS
- 6 NOTE DELETED
- 7 NOTE DELETED

11.074 [.436]	500	ON TAPE	52265-3
11.074 [.436]	100	LOOSE PC	52265
WIRE INSULATION DIA MAX	QTY	PACKAGE TYPE	PART NO

<b>AMP INCORPORATED CUSTOMER SERVICE SYSTEMS</b>		MAX RECOMMENDED OPERATING TEMPERATURE: 105° C [221°F]	THIS DRAWING IS A CONTROLLED DOCUMENT.		DWN S.S. GOULDEN 9-29-93	 TE Connectivity Ltd.				
FOR ADDITIONAL PRODUCT INFORMATION OR COPIES OF DRAWINGS AND TECHNICAL DOCUMENTS	PRODUCT INFORMATION CENTER 1-800-522-6752	VOLTAGE RATING: 600 V MAX	DIMENSIONS: mm [INCHES]	TOLERANCES UNLESS OTHERWISE SPECIFIED:	CHK R. HERSEY 9-29-93			NAME		
FOR APPLICATION TOOLING INFORMATION	TOOLING ASSISTANCE CENTER 1-800-722-1111	CIRCULAR MIL AREA: 10.54-16.77mm <sup>2</sup> [20,800-33,100] STRANDED		0 PLC ± - 1 PLC ± - 2 PLC ± - 3 PLC ± 0.127[.005] 4 PLC ± - ANGLES ± -	APVD M ELLIS 9-29-93	TERMINAL, RING TONGUE, PLASTI-GRIP WIRE SIZE: 6 AWG				
FOR ORDER ENTRY	1-800-526-5142	THIS DRAWING IS A CONTROLLED DOCUMENT FOR AMP INCORPORATED. IT IS SUBJECT TO CHANGE AND THE CONTROLLING ENGINEERING ORGANIZATION SHOULD BE CONTACTED FOR THE LATEST REVISION.	MATERIAL BODY: COPPER PER ASTM B-152 INSULATION: PVC	FINISH BODY: TIN PLATE PER ASTM-B545 INSULATION: COLOR: BLUE	PRODUCT SPEC UL 486A-B	APPLICATION SPEC 114-2161	SIZE A3	CAGE CODE 00779	DRAWING NO C-52265	RESTRICTED TO -
					WEIGHT	CUSTOMER DRAWING		SCALE 4:1	SHEET 1 of 1	REV P5

单击下面可查看定价，库存，交付和生命周期等信息

[>>TE Connectivity\(泰科\)](#)