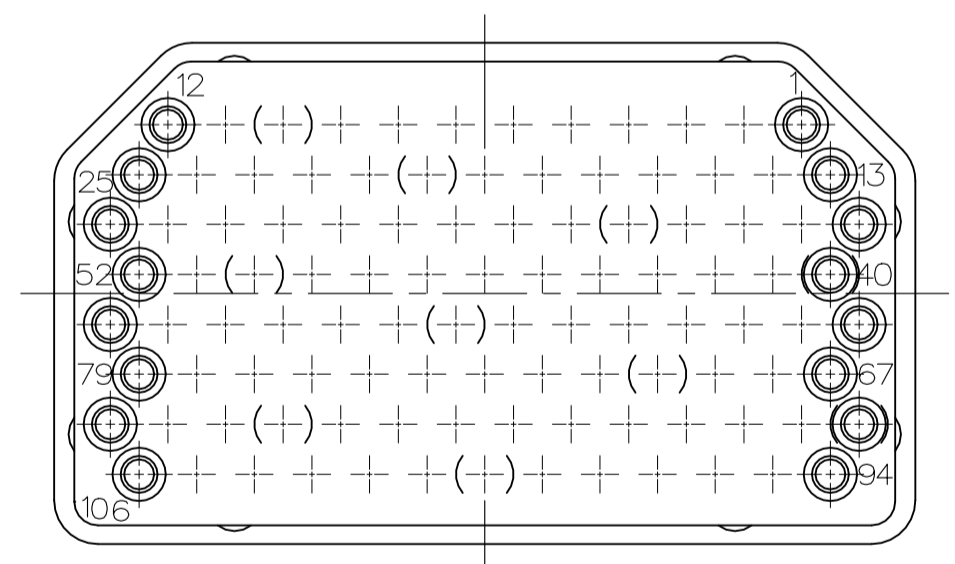
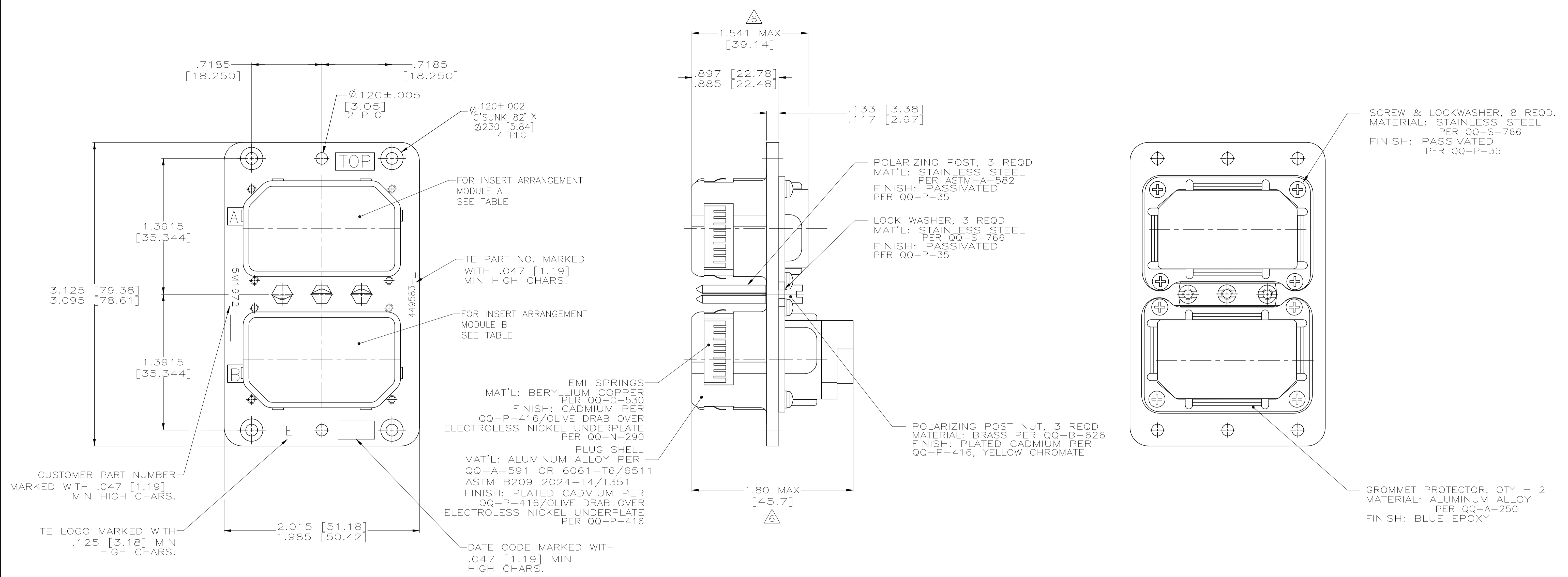
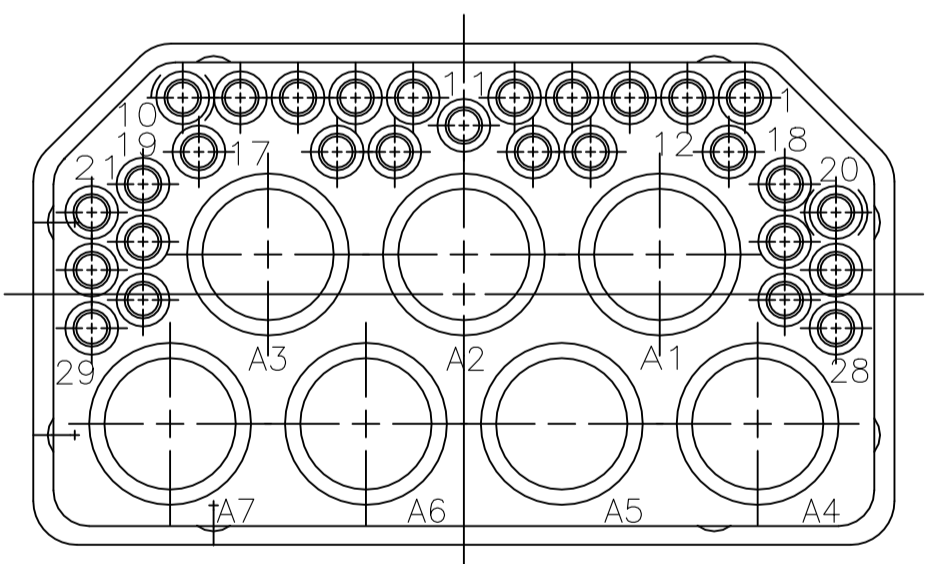


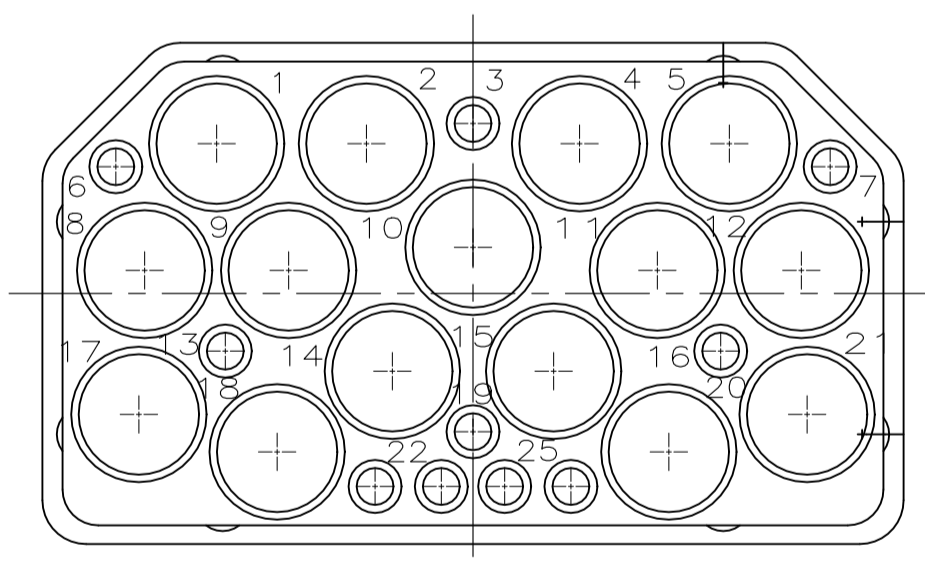
REVISIONS					
P	LTR	DESCRIPTION	DATE	DMN	APVD
F		REVISED PER ECO-21-003630	5-18-21	CT	RL



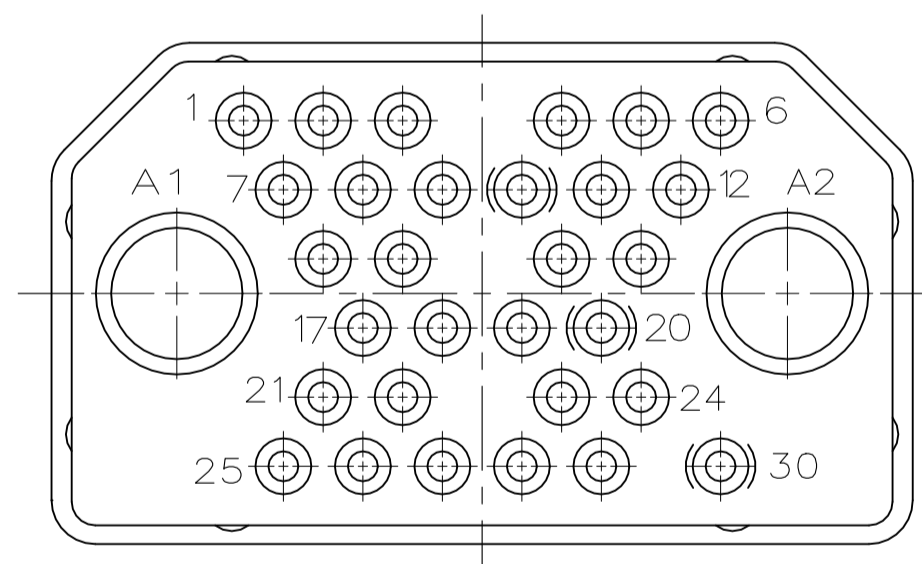
106 (-01P)



36C7 (-02P)



25C15 (-04P)



32C2 (-03S)

- KEYS INSTALLED IN POSITIONS AS SHOWN IN TABLE.
 - CONTACTS ARE INCLUDED IN A CONTAINER WITHIN THE CONNECTOR PACKAGE FOR SHIPMENT.
 - ALL DIMENSIONS CONFORM TO MIL-C-81659 WITH EXCEPTION TO EMI SPRING FINGERS.
 - COAX/TRIAX CONTACTS TO BE PURCHASED SEPARATELY.
 - CONFORMS TO REQUIREMENTS OF MCDONNELL DOUGLAS 5M1972.
- △ CONNECTOR VIEW AND INSERT LAYOUT IS SHOWN FOR 449583-1.
 △ MATING FACE SHOWN FOR REFERENCE ONLY.

PART NUMBER	CUSTOMER PART NUMBER	POLARIZING POSITION	MOD A	MOD B
449583-1	5M1972-01P02P	04	106P	36C7P
OBSOLETE	449583-2	5M1972-01P01P	04	106P
OBSOLETE	449583-3	5M1972-01P03S	02	106P
	449583-4	5M1972-04P01P	45	25C15
OBSOLETE	449583-5	5M1972-02P01P	01	36C7P
	449583-6	5M1972-02P01PA	01	36C7P

THIS DRAWING IS A CONTROLLED DOCUMENT.		DIN T. ALEXANDER 4-17-96	TE Connectivity
DIMENSIONS: INCHES		CHK K. GUARAGNO 4-22-96	
TOLERANCES UNLESS OTHERWISE SPECIFIED:		APVD K. GUARAGNO 4-22-96	NAME
0' PLC ± -	1' PLC ± -	PRODUCT SPEC	ARINC 404 KIT, MME2P106P36C7P-0004 (204) WITH EMI FINGERS
2' PLC ± -	3' PLC ± .010 [0.25]	APPLICATION SPEC	SIZE CAGE CODE DRAWING NO
4' PLC ± .0050 [0.130]	ANGLES ±	RESTRICTED TO	A1 00779 C=449583
MATERIAL SEE CALLOUTS	FINISH SEE CALLOUTS	WEIGHT 0.000000	CUSTOMER DRAWING
		SCALE 2:1	SHEET 1 of 1 REV F

单击下面可查看定价，库存，交付和生命周期等信息

[>>TE Connectivity\(泰科\)](#)