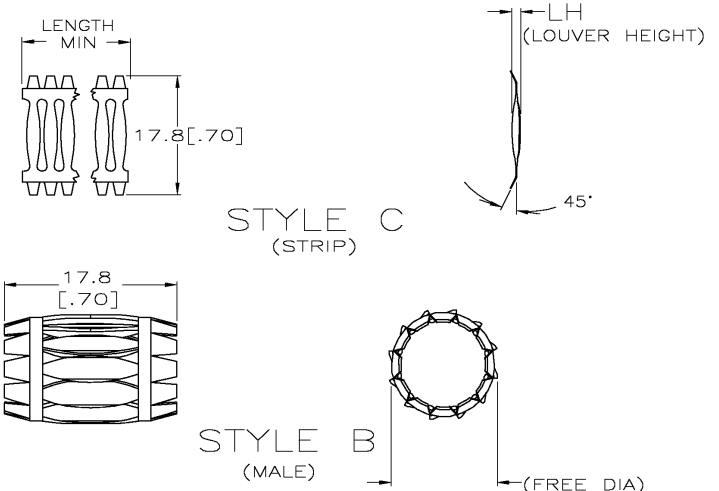


THIS DRAWING IS UNPUBLISHED. RELEASED FOR PUBLICATION. ALL RIGHTS RESERVED.									
COPYRIGHT BY TYCO ELECTRONICS CORPORATION.									
PLC	FINISH	MAT'L	LENGTH	MATING PIN φ REF	PLATING	NUM LOUV	MAT'L THK	REF	PART NO.
[.052]	---	BeCu	NOTE 12	---	3-2	---	0.25[.010]	---	4-192008-4
[.052]	---	BeCu	NOTE 12	---	3-2	---	0.20[.008]	---	4-192008-3
[.050]	[1.40]	BeCu	---	---	3-2	44	0.15[.006]	---	4-192008-2
[.052]	[2.00]	BeCu	58.4[2.300]	UNPL	72	---	0.25[.010]	---	4-192008-1
[.052]	[2.00]	BeCu	58.4[2.300]	---	3-2	72	0.25[.010]	---	4-192008-0
[.050]	[1.29]	BeCu	34.9[1.375]	---	3-2	41	0.15[.006]	01324	3-192008-9
[.048]	[1.04]	CNCL	33.0[1.300]	UNPL	33	---	0.15[.006]	01312	3-192008-8
[.050]	[1.26]	BeCu	33.0[1.300]	---	3-2	40	0.15[.006]	01238	3-192008-7
[.050]	[1.16]	BeCu	31.8[1.250]	---	3-2	37	0.15[.006]	01237	3-192008-6
[.050]	[1.16]	BeCu	31.8[1.250]	---	3-2	37	0.15[.006]	01231	3-192008-5
[.052]	[1.13]	BeCu	30.4[1.197]	---	3-2	36	0.20[.008]	01213	3-192008-4
[.052]	[1.13]	BeCu	30.4[1.197]	UNPL	36	---	0.15[.006]	01226	3-192008-3
[.050]	[1.13]	BeCu	30.4[1.197]	---	3-2	36	0.15[.006]	01114	3-192008-2
[.052]	[1.16]	BeCu	30.3[1.195]	---	3-2	37	0.20[.008]	01194	3-192008-1
[.050]	[1.10]	BeCu	30.2[1.188]	---	3-2	35	0.15[.006]	01212	3-192008-0
[.052]	[1.07]	BeCu	28.7[1.129]	---	3-2	34	0.20[.008]	01190	2-192008-9
[.050]	[1.07]	BeCu	28.7[1.129]	---	3-2	34	0.15[.006]	01191	2-192008-8
[.050]	[1.00]	BeCu	27.1[1.068]	---	3-2	32	0.15[.006]	01188	2-192008-7
OBSOLETE									
[.052]	[.94]	BeCu	25.4[1.000]	---	3-2	30	0.20[.008]	01184	2-192008-5
[.052]	[.94]	BeCu	25.4[1.000]	UNPL	30	---	0.20[.008]	01183	2-192008-4
[.050]	[.94]	BeCu	25.4[1.000]	---	3-2	30	0.15[.006]	01182	2-192008-3
[.050]	[.94]	BeCu	25.4[1.000]	UNPL	30	---	0.15[.006]	01180	2-192008-2
[.052]	[.81]	BeCu	22.3[.879]	---	3-2	26	0.20[.008]	01171	2-192008-1
[.052]	[.81]	BeCu	22.3[.879]	UNPL	26	---	0.20[.008]	01221	2-192008-0
[.050]	[.81]	BeCu	22.3[.879]	---	3-2	26	0.15[.006]	01277	1-192008-9
[.052]	[.75]	BeCu	20.2[.796]	---	3-2	24	0.20[.008]	01162	1-192008-8
[.052]	[.75]	BeCu	20.2[.796]	UNPL	24	---	0.20[.008]	01222	1-192008-7
[.052]	[.72]	BeCu	19.8[.781]	---	3-2	23	0.20[.008]	01159	1-192008-6
[.050]	[.72]	BeCu	19.8[.781]	---	3-2	23	0.15[.006]	01316	1-192008-5
[.052]	[.69]	BeCu	19.0[.750]	---	1-2	22	0.20[.008]	01236	1-192008-4
[.052]	[.69]	BeCu	19.0[.750]	---	3-2	22	0.20[.008]	01158	1-192008-3
[.052]	[.69]	BeCu	19.0[.750]	UNPL	22	---	0.20[.008]	01295	1-192008-2
[.050]	[.69]	BeCu	19.0[.750]	---	1-2	22	0.15[.006]	01160	1-192008-1
[.050]	[.69]	BeCu	19.0[.750]	---	3-2	22	0.15[.006]	01157	1-192008-0
[.050]	[.69]	BeCu	19.0[.750]	UNPL	22	---	0.15[.006]	---	192008-9
[.052]	[.56]	BeCu	16.0[.630]	---	3-2	18	0.20[.008]	01149	192008-8
[.050]	[.53]	BeCu	14.1[.554]	---	3-2	17	0.15[.006]	01142	192008-7
[.050]	[.49]	BeCu	12.7[.500]	---	3-2	14	0.15[.006]	01140	192008-6
[.050]	[.49]	BeCu	12.7[.500]	UNPL	14	---	0.15[.006]	01215	192008-5
[.050]	---	BeCu	[5.20]	---	3-2	52	0.15[.006]	01040	192008-4
[.050]	---	BeCu	NOTE 12	---	3-2	---	0.15[.006]	01014	192008-3
[.050]	---	BeCu	NOTE 12	---	UNPL	---	0.15[.006]	01042	192008-2
[.050]	---	BeCu	NOTE 12	---	3-2	---	0.10[.004]	01050	192008-1

LH	(FREE DIA)	MAT'L	LENGTH	MATING PIN φ REF	PLATING	NUM LOUV	MAT'L THK	REF	PART NO.
----	------------	-------	--------	---------------------	---------	-------------	-----------	-----	----------

LOC	DIST	REVISIONS			
P	U/R	DESCRIPTION	DATE	DNW	APVD
FT	0	H	REVISED PER 0G3B-0274-03	4/14/03	SS GS



NOTES:

- FINISH: GOLD PLATE 10 uIN MIN.
- FINISH: NICKEL PLATE 40 uIN MIN.
- FINISH: SILVER PLATE 200 uIN MIN.
- NOT USED.
- NOT USED.
- NOT USED.
- NOT USED.
- NOT USED.
- NOT USED.
- NOT USED.
- PLATING NOTES TO BE INTERPRETED AS FOLLOWS, 3-2 AS 3 OVER 2.
- PRODUCT IS SOLD BY FOOT, 3 FEET MINIMUM.
- PRELIMINARY PART NUMBER.

THIS DRAWING IS A CONTROLLED DOCUMENT.		DNW 06-30-92	RA JATRE	Tyco Electronics Corporation Harrisburg, PA 17105	
DIMENSIONS: INCHES		TOLERANCES UNLESS OTHERWISE SPECIFIED:		PRODUCT SPEC	
MATERIAL: SEE TABLE		FINISH: SEE TABLE		APPLICATION SPEC	
MATERIAL: SEE TABLE		FINISH: SEE TABLE		WEIGHT	
MATERIAL: SEE TABLE		FINISH: SEE TABLE		CUSTOMER DRAWING	
MATERIAL: SEE TABLE		FINISH: SEE TABLE		SIZE: A2	DATE: 00779
MATERIAL: SEE TABLE		FINISH: SEE TABLE		SCALE: NTS	SHEET: 1 OF 1
MATERIAL: SEE TABLE		FINISH: SEE TABLE		REV: H	REV: H

单击下面可查看定价，库存，交付和生命周期等信息

[>>TE Connectivity\(泰科\)](#)