

THIS DRAWING IS UNPUBLISHED.

RELEASED FOR PUBLICATION AUGUST ,2006.

REVISIONS

© COPYRIGHT 2006 By -

ALL RIGHTS RESERVED.

P	LTR	DESCRIPTION	DATE	DWN	APVD
	D	PER ECO-15-014792	29OCT2015	RZ	RS

NOTES:

- 1 SINGLE PACKING: ONE CONNECTOR PER LABELED BAG PACKAGED. LABELED PER TEC-107-115
- 2 TRAY PACKAGED
- 3 Au PLATING
- 4 Ni PLATING
- 5 Zn PLATING
- 6 THIS ITEM MUST BE WHITE

7 ELECTRICAL CHARACTERISTICS

FREQUENCY RANGE:	DC - 2 GHz
NOMINAL IMPEDANCE:	50 Ohm
INSULATION RESISTANCE:	5000 MOhm
WORKING VOLTAGE:	100 Volts RMS at Sea Level
DIELECTRIC WITHSTAND VOLTAGE:	1000 Volts RMS Max
CONTACT RESISTANCE:	
CENTER CONTACT:	10.00 mOhm Max
OUTER CONTACT:	5.00 mOhm Max
VSWR @ 1.8GHz:	1.3 Max
INSERTION LOSS dB @ x 1.8 GHz:	0.2 Max

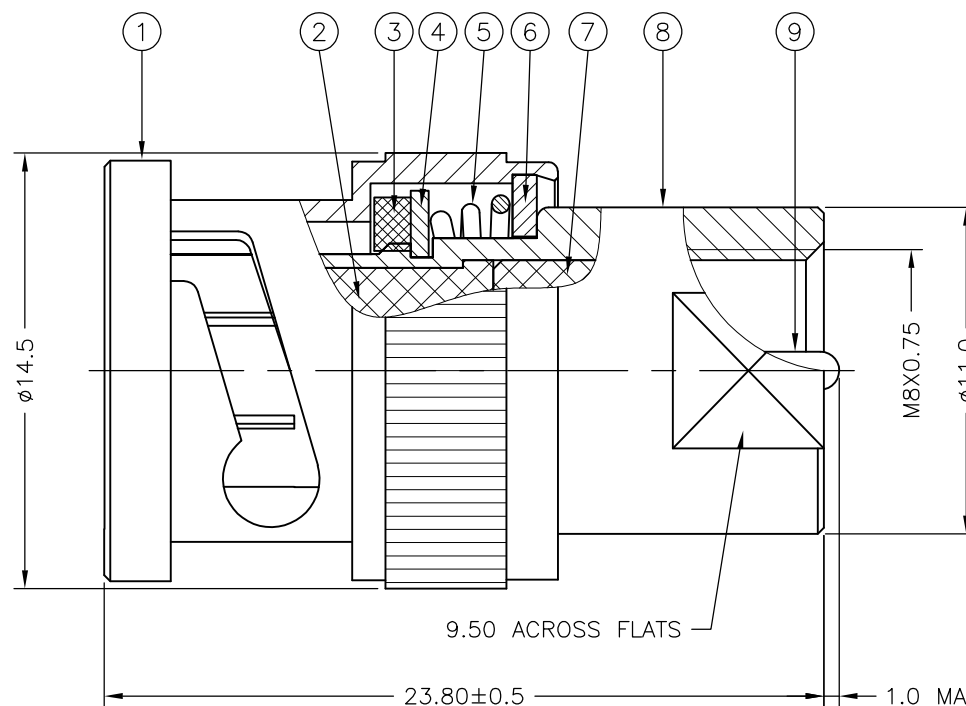
8 MECHANICAL CHARACTERISTICS

COUPLING NUT RETENTION FORCE:	267N Min
DURABILITY:	500 Cycles Min

9 ENVIRONMENTAL CHARACTERISTICS

OPERATING TEMPERATURE:	-40 to +85 DegC
------------------------	-----------------

10 FOR TECHNICAL DATA REFER TO YOUR LOCAL TE CONNECTIVITY SALES OFFICE



QTY	QTY PER ASSY	QTY PER ASSY	MATERIAL	DESCRIPTION	ITEM
1	1		BRASS	CONTACT	9
1	1		BRASS	BODY	8
1	1		PTFE	INSULATION	7
1	1		BRASS	WASHER	6
1	1		STEEL	SPRING	5
1	1		BRASS	RETAINING RING	4
1	1		SILICONE RUBBER	GASKET	3
1	1		PTFE	INSULATION	2
1	1		BRASS	SHELL	1
6--0	1--0				

THIS DRAWING IS A CONTROLLED DOCUMENT.		DWN J.SANDWELL 31AUG06	STE TE Connectivity		
DIMENSIONS: mm		CHK S.PARLOW 31AUG06			
TOLERANCES UNLESS OTHERWISE SPECIFIED:		APVD F.WHEELER-KING 31AUG06	NAME STRAIGHT ADAPTOR FME PLUG - BNC PLUG 50 OHM		
0 PLC ± -		PRODUCT SPEC	-		
1 PLC ± 0.2		APPLICATION SPEC	-		
2 PLC ± 0.1		WEIGHT	-		
3 PLC ± -		SIZE	CAGE CODE	DRAWING NO	RESTRICTED TO
4 PLC ± -		SEE TABLE	A3	00779	C-1337562
ANGLES ± -		CUSTOMER DRAWING			
FINISH -		SCALE	SHEET	REV	
		NTS	1 OF 1	D	

单击下面可查看定价，库存，交付和生命周期等信息

[>>TE Connectivity\(泰科\)](#)