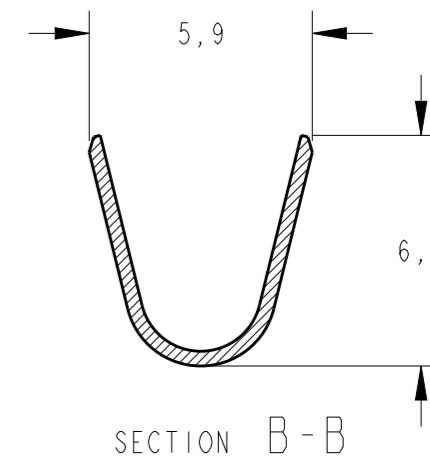
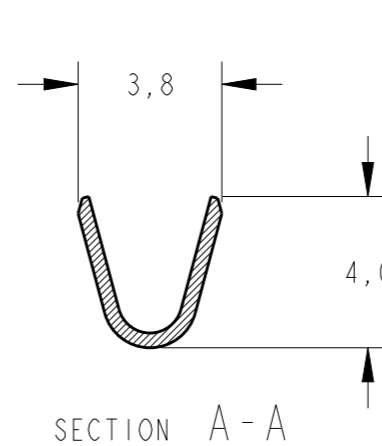
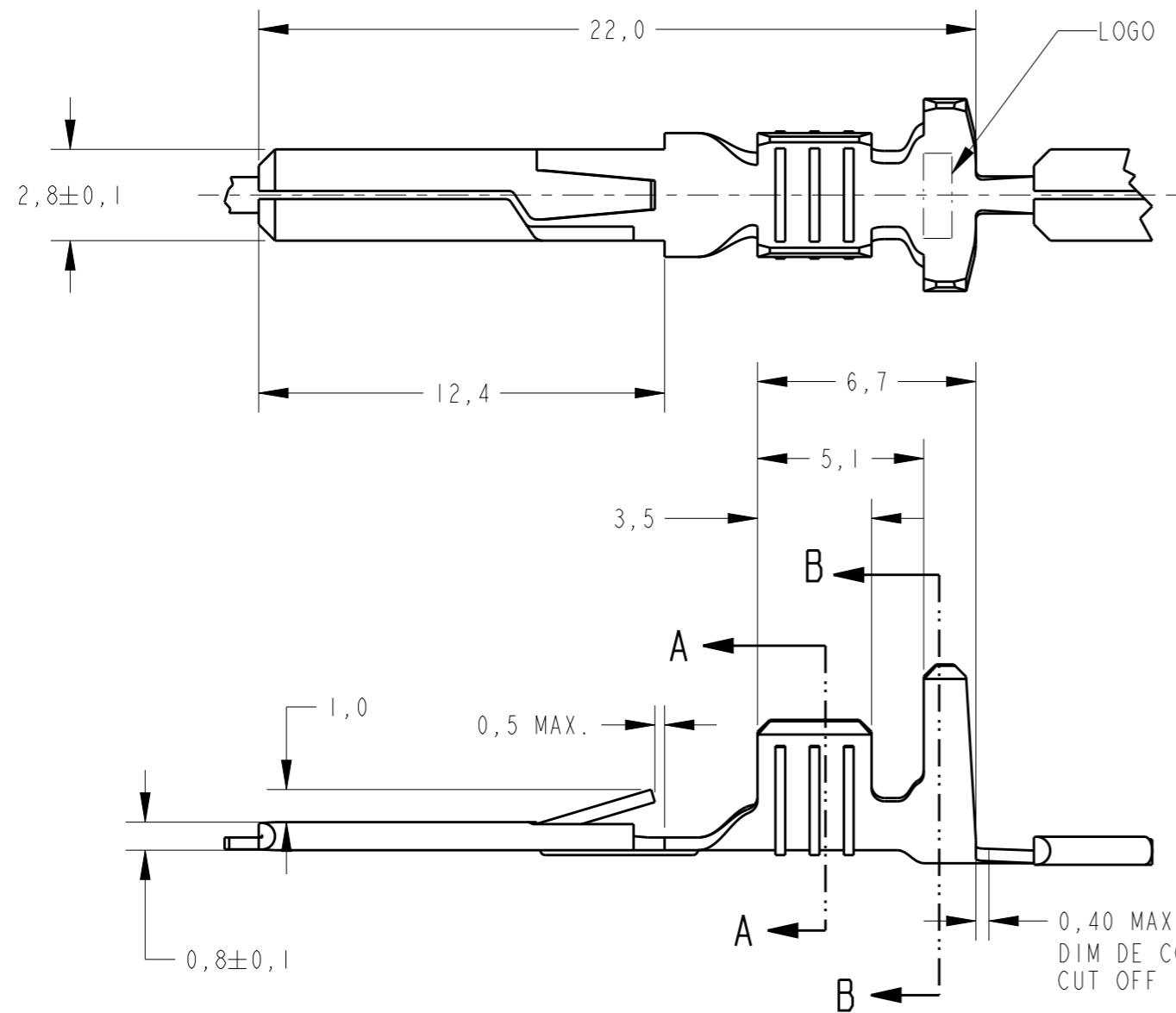


THIS DRAWING IS UNPUBLISHED. RELEASED FOR PUBLICATION 20
 © COPYRIGHT 20 BY - ALL RIGHTS RESERVED.

LOC	DIST	REVISIONS				
P	LTR	DESCRIPTION	DATE	DWN	APVD	
-	-	C2	REV. BY ECO14-019128 AND REDRAW	23DEC2014	HC	WLS



0,40 MAX.
 DIM DE CORTE PARA PEÇA SOLTA
 CUT OFF TAB FOR LOOSE PIECE

LOOSE PIECE PN	FINISH	MATERIAL	PART NUMBER
880664-3	PRE - TIN	BRASS	880638-3
880664-2	ELECTRO TIN	BRASS	880638-2
880664-1	-	BRASS	880638-1
	ELECTRO TIN	PHOS. BRONZE	880638 5
		PHOS. BRONZE	880638 4

△-OBSOLETE PARTS: OBSOLETE CIS STREAMLINING PER D.RENAUD/D.SINISI

THIS DRAWING IS A CONTROLLED DOCUMENT.

DWN: 23DEC2014, H.C.CANTER
 CHK: 23DEC2014, W.L.STEFANI

APVD: -

PRODUCT SPEC: 108-37015
 APPLICATION SPEC: 114-2065

WEIGHT: -

Customer Drawing

SCALE: 5/1

SHEET 1 OF 1

REV C2

NAME: .110 SERIES FASTIN-ON TAB

SIZE: A3, CAGE CODE: 00779, DRAWING NO: 880638

RESTRICTED TO: -

INSUL. RANGE	2,7 - 4,0mm
WIRE RANGE	>1,0-2,5 mm2

DIMENSIONS:	TOLERANCES UNLESS OTHERWISE SPECIFIED:
mm	
0 PLC	± -
1 PLC	±0,3
2 PLC	± -
3 PLC	± -
4 PLC	± -
ANGLES	±1°
MATERIAL	FINISH

单击下面可查看定价，库存，交付和生命周期等信息

[>>TE Connectivity\(泰科\)](#)