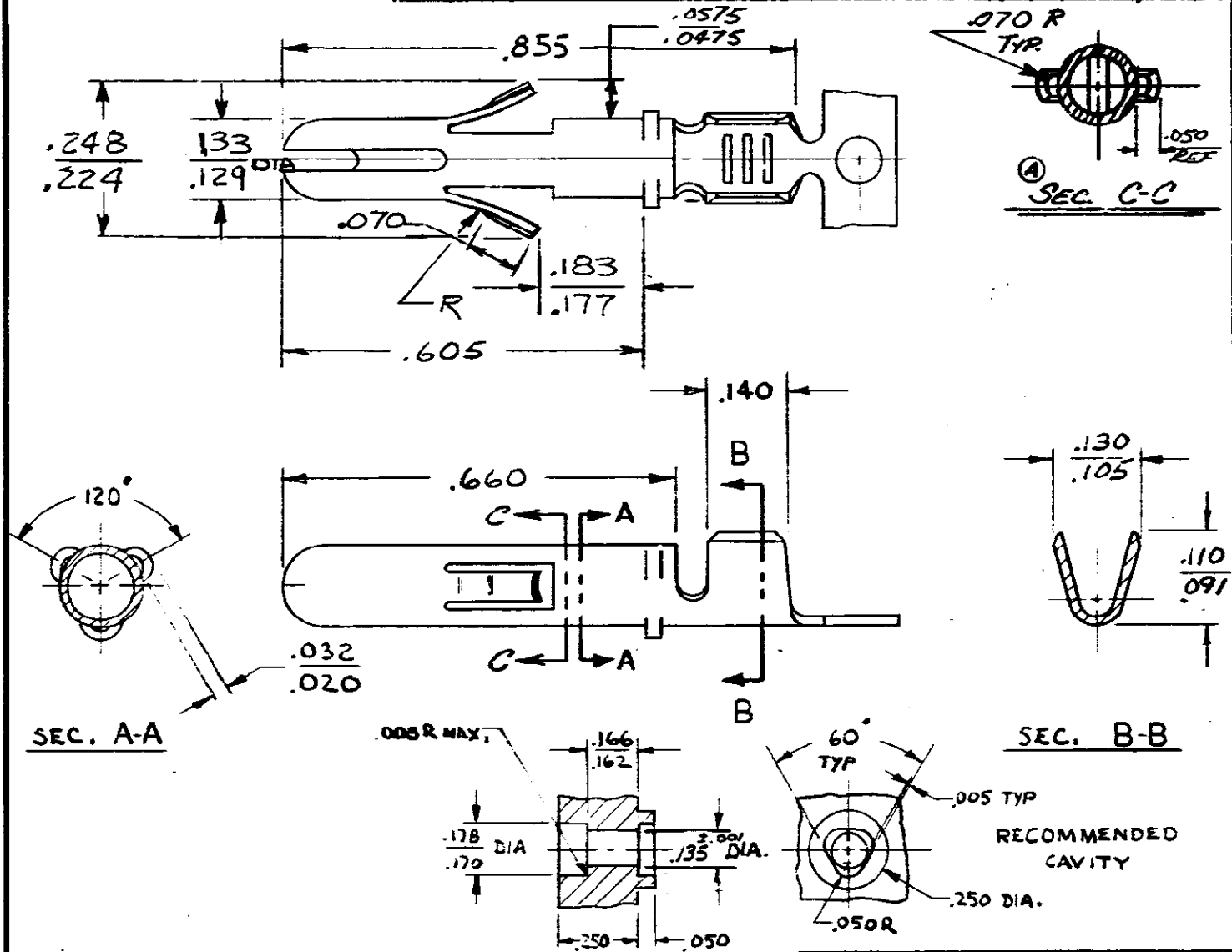



© COPYRIGHT 1976 BY AMP INCORPORATED, HARRISBURG, PA. ALL INTERNATIONAL RIGHTS RESERVED. NO REPRODUCTION OR TRANSMISSION IN ANY FORM OR BY ANY MEANS, WITHOUT PERMISSION IN WRITING FROM AMP INCORPORATED. TRADEMARKS AND PATENTS PENDING.

REVISIONS				
LTR	DESCRIPTION	DATE	APPROVED	RF
A	ADDED RADIIUS TO LOCKING LATCHES PER SEC. C-C	1-21-77	GDJ	
B	REVISED RELEASED A-3590	5/4/77	GT	
C	REVISED A-3901	3/2/78	GT	
D	REVISED A-3954	5-18-78	SS	
E	REVISED AF-1993	9/2/87	SY	



22-18	62505-1
WIRE SIZE	PART NO

UNLESS OTHERWISE SPECIFIED DIMENSIONS ARE IN INCHES. TOLERANCES ON: DECIMALS ± .015 ANGLES ± 1° 0'	CONTRACT NO	 AMP INCORPORATED Harrisburg, Pa.	NAME PIN .130 DIAMETER
	DR <i>R. J. West 6-18-76</i>		
MATERIAL .016 BRASS	CHK <i>John P. ... 6-18-76</i>	SIZE A	CODE IDENT NO 00779
FINISH NONE	APPD <i>R. J. West 6-22-76</i>		
	DSGN APPD	DRAWING NO 62505	SHEET 1
	OTHER APPD		
		SCALE 1	

单击下面可查看定价，库存，交付和生命周期等信息

[>>TE Connectivity\(泰科\)](#)