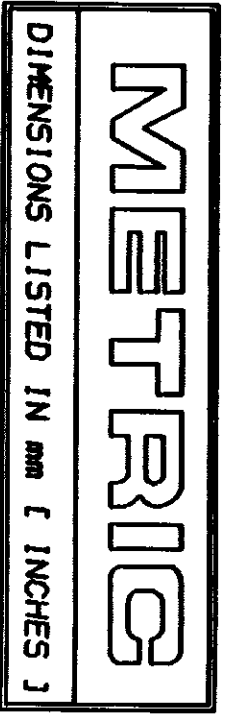
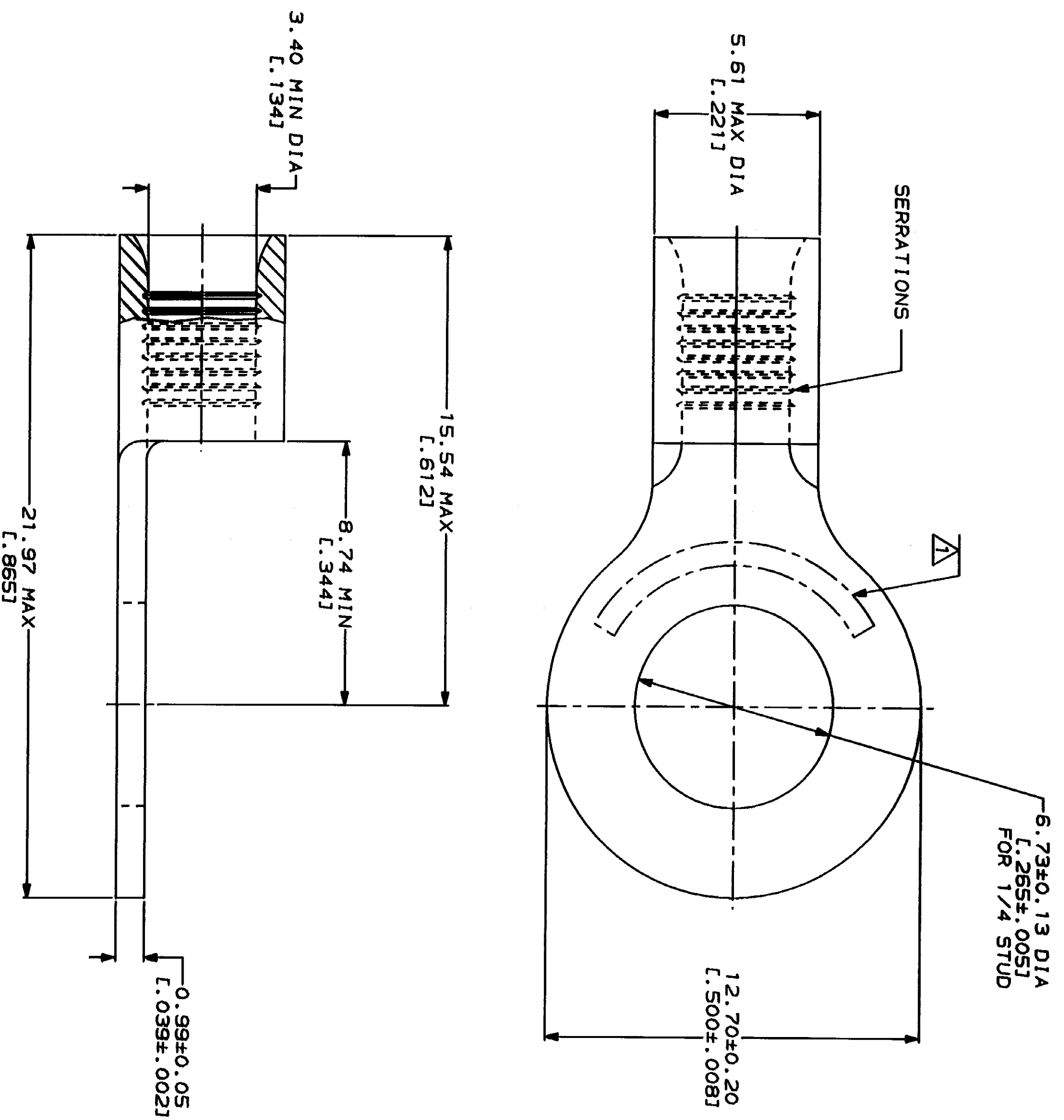


LOC	DIST	ZONE	LTN	REVISIONS	DATE	APPD
G	14	A		REVISED PER 0720-0230-93		



WIRE RANGE	12-10 AWG STRANDED	UL E13288 Listed
WIRE RANGE	12-10 AWG STRANDED	MILITARY P/N AND CLASS
NOT CERTIFIED	LR7189 Certified	NOT APPLICABLE

△ STAMP AMP 12-10* APPROX AS SHOWN



AMP INCORPORATED
 CUSTOMER SERVICE SYSTEMS

FOR ADDITIONAL
 PRODUCT INFORMATION OR
 COPIES OF DRAWINGS
 AND TECHNICAL DOCUMENTS

FOR APPLICATION
 TOOLING INFORMATION
 FOR ORDER ENTRY

MAX RECOMMENDED OPERATING
 TEMPERATURE: 170°C MAX

VOLTAGE RATING:
 NOT APPLICABLE

WIRE CROSS SECTIONAL AREA RANGE:
 2.62-6.64mm² [5,180-13,100] CIR MILS
 STRANDED

DO NOT SCALE PRINT.
 UNLESS SPECIFIED
 DIMENSIONS IN MILLIMETERS
 TOLERANCES ON:
 2 PLG DEC ± .1
 3 ANGLES ± .1

MATERIAL
 COPPER PER
 ASTM B-152
 ANNEALED

FINISH
 TIN PLATE
 0.00254 [L.000100] MIN
 THK PER MIL-T-10727

DR 2-9-93
 TA BRINKMAN
 CHK 2-9-93
 DA PATTERSON
 APPD 2-9-93
 DE MILLER
 APPD 2-9-93
 JL NECKLEY
 PRODUCT SPEC

AMP Incorporated
 Harrisburg, PA 17105-3608

TERMINAL, RING TONGUE,
 BUDGET

SIZE CAGE CODE DRAWING NO
 00779 34965
 SCALE 8:1

34965
 PART NO

单击下面可查看定价，库存，交付和生命周期等信息

[>>TE Connectivity\(泰科\)](#)