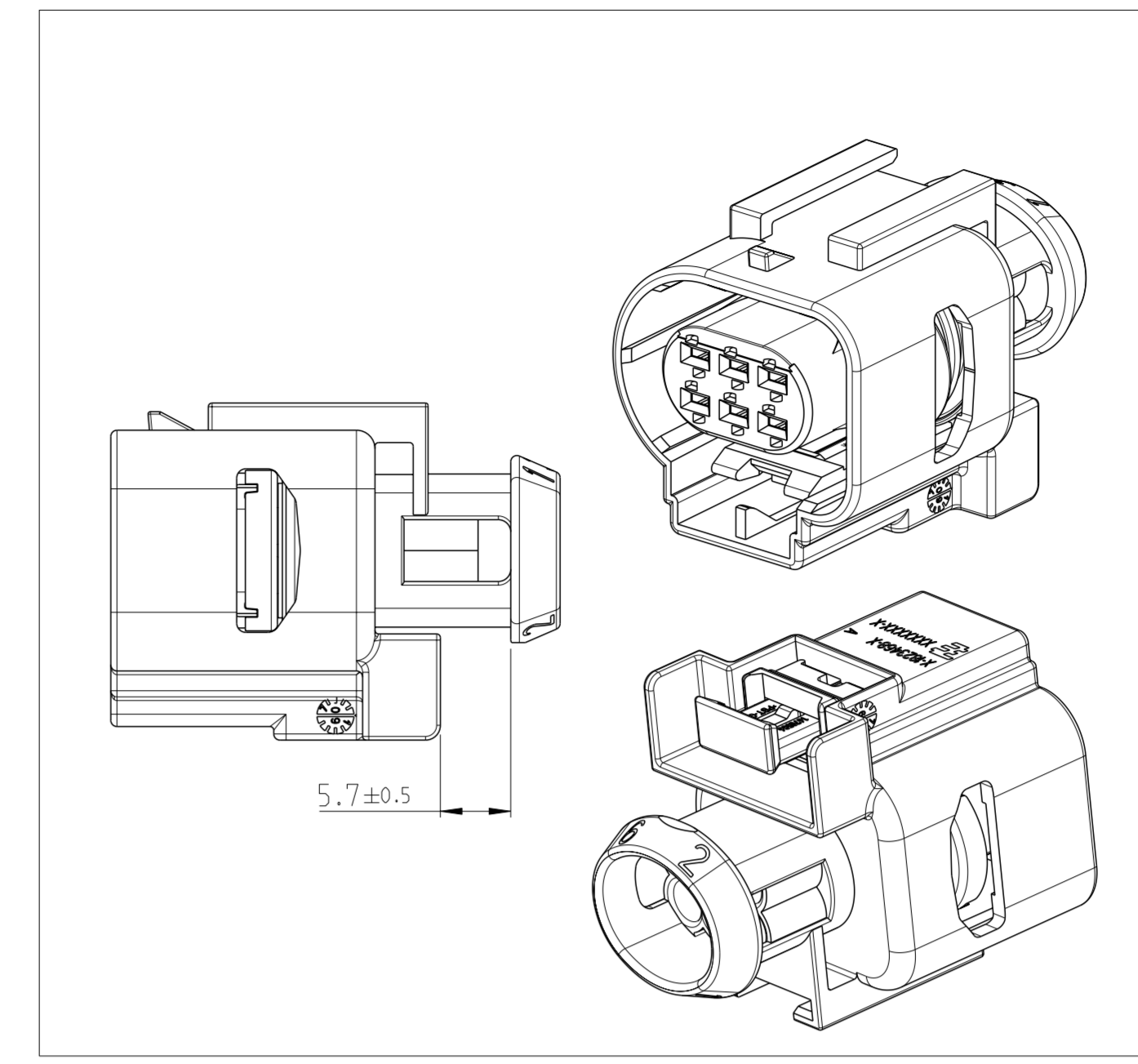
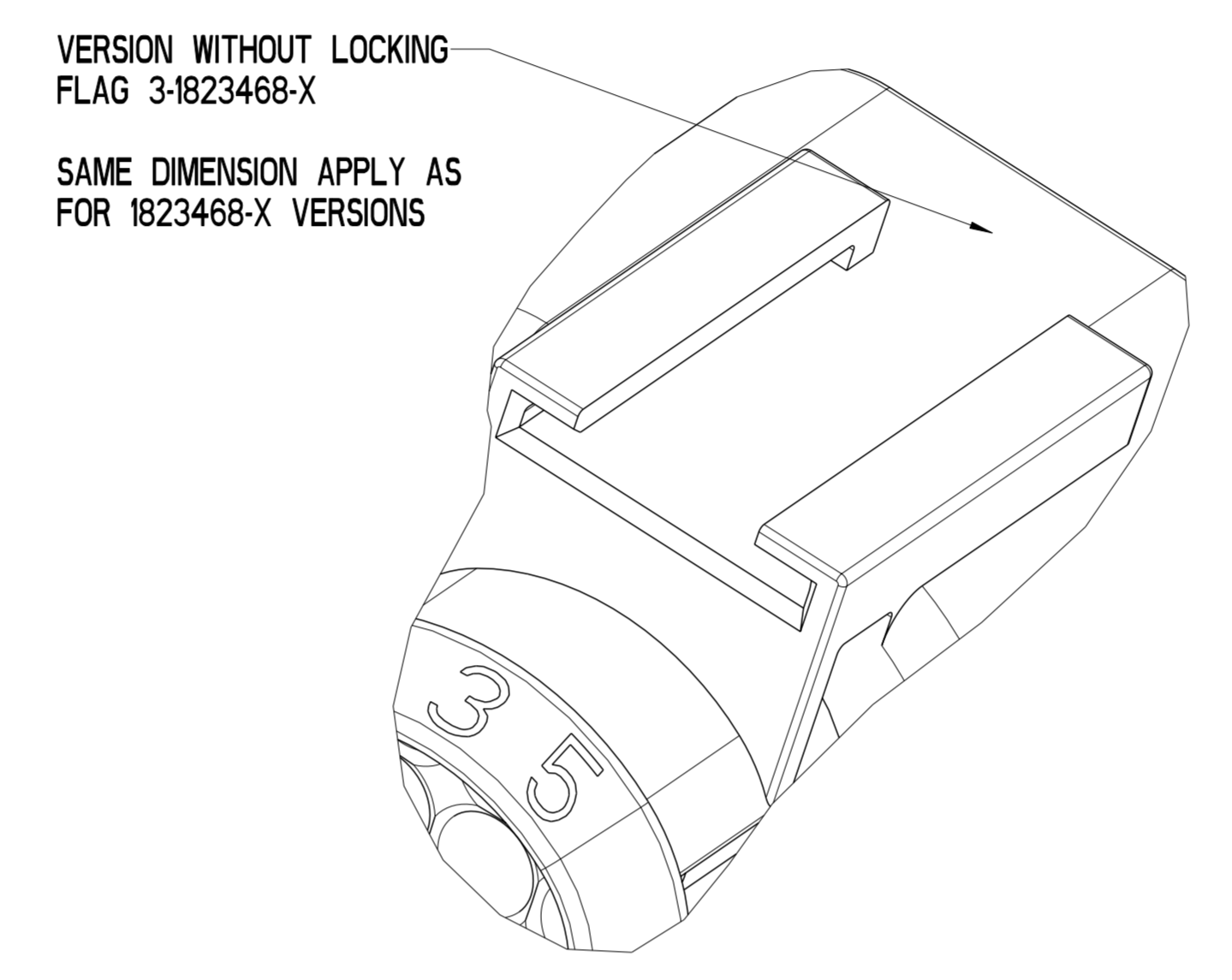
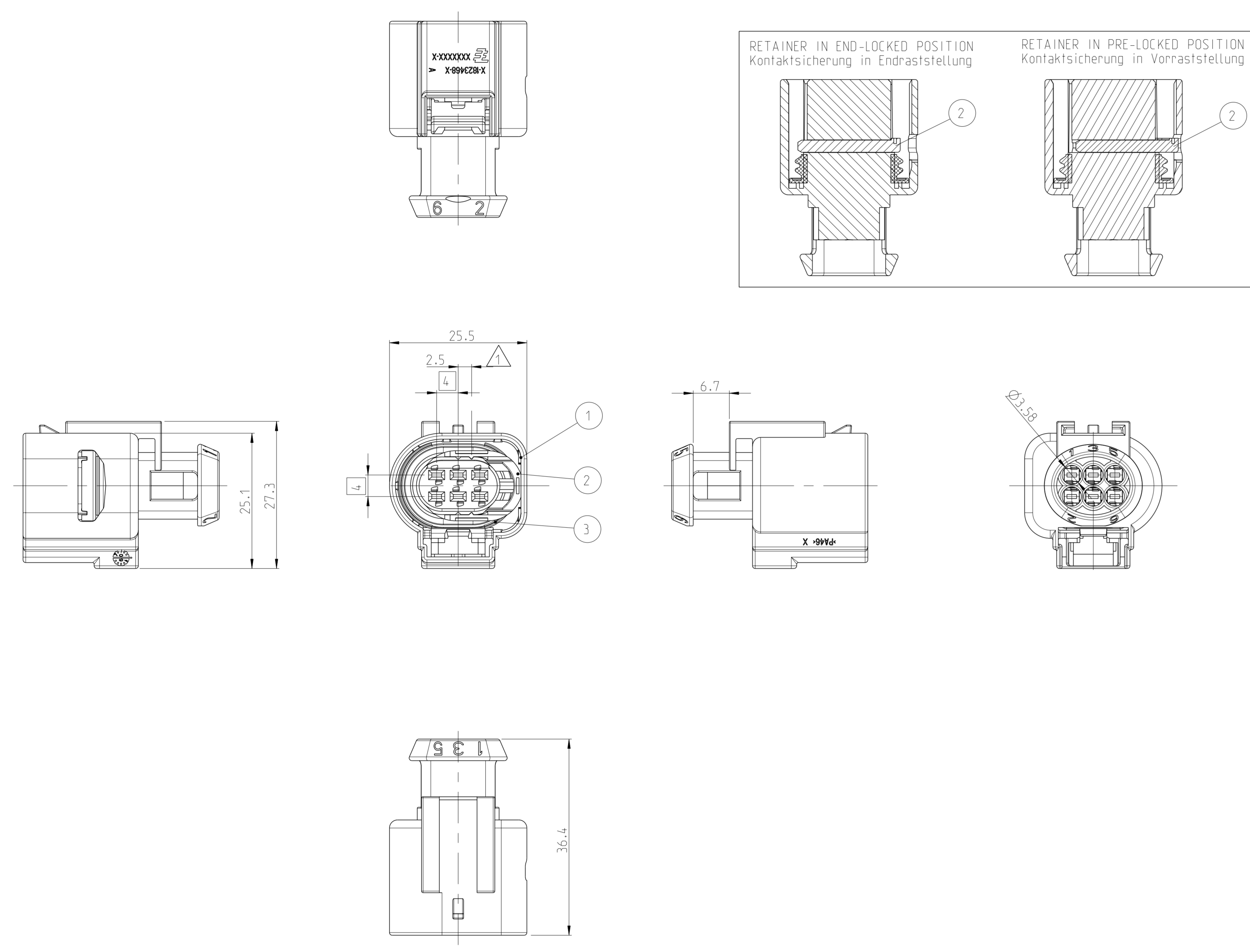
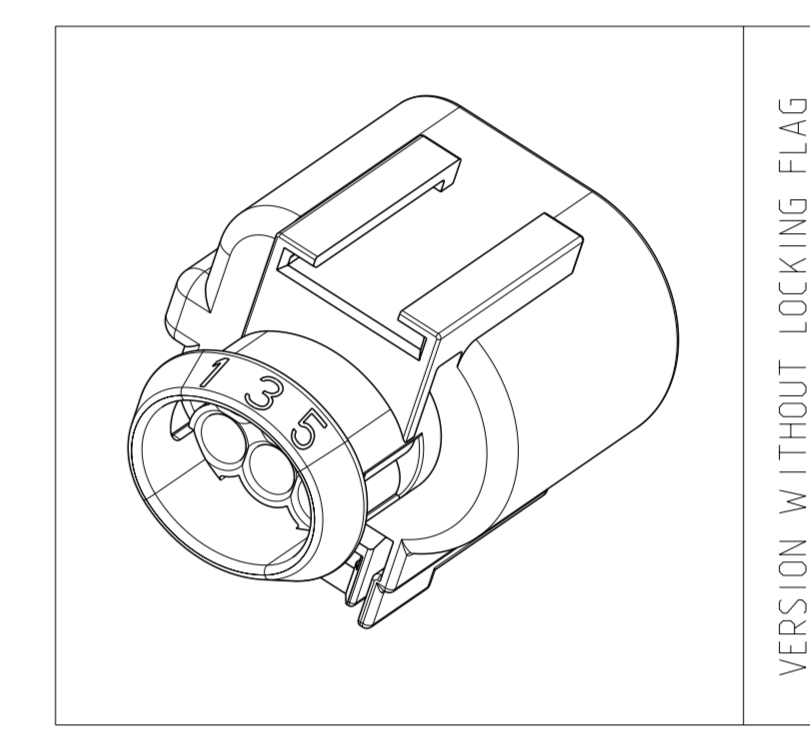


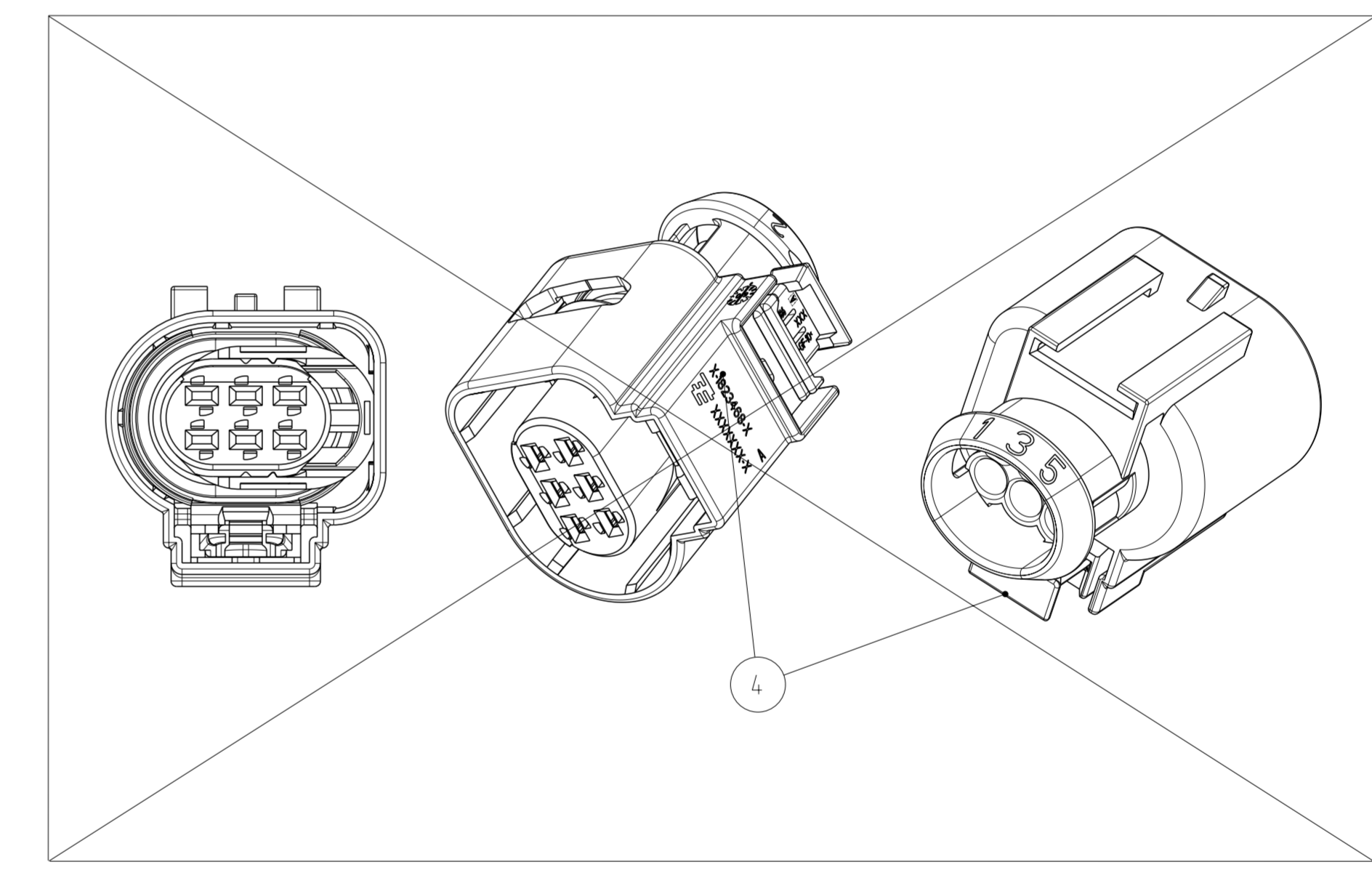
REV	DATE	DESCRIPTION	BY	CHK	APP
C 10	ECR-15-016262				
C 11	ECR-16-001421				
C 12	ECR-16-012575				
C 13	ECR-21-126515				



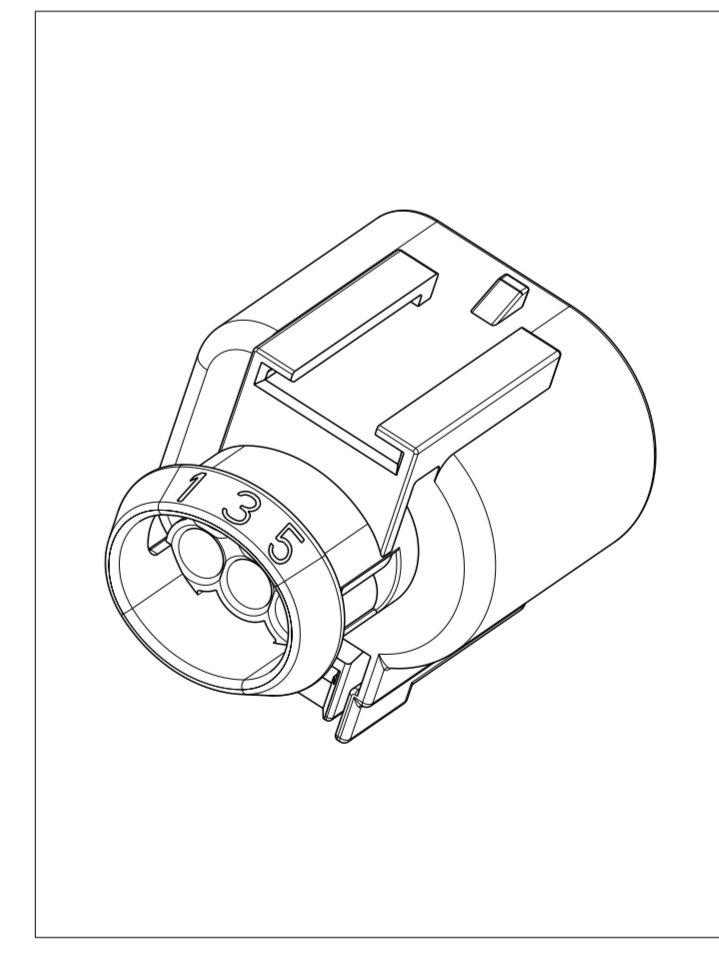
REV	DATE	DESCRIPTION	BY	CHK	APP
H	0-2309220-9	PBT-GF10 RED CPA... RADIAL SEAL... 0.7			
H	4-2309220-8	PBT-GF10 VIOLET RETAINER... 0.7			
H	5-2309220-8	PBT-GF10 VIOLET RETAINER... 0.7			
H	2-2309220-8	PBT-GF10 VIOLET RETAINER... 0.7			
G	2-2309220-7	PBT-GF10 VIOLET RETAINER... 0.7			
F	2-2309220-6	PBT-GF10 VIOLET RETAINER... 0.7			
E	2-2309220-5	PBT-GF10 VIOLET RETAINER... 0.7			
D	2-2309220-4	PBT-GF10 VIOLET RETAINER... 0.7			
C	2-2309220-3	PBT-GF10 VIOLET RETAINER... 0.7			
B	2-2309220-2	PBT-GF10 VIOLET RETAINER... 0.7			
A	2-2309220-1	PBT-GF10 VIOLET RETAINER... 0.5			



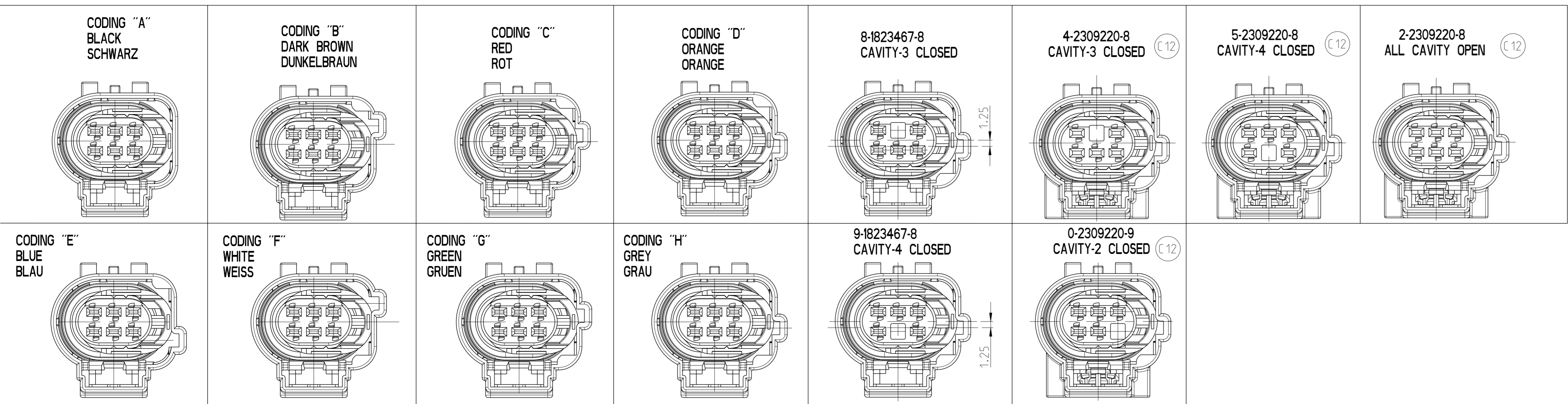
REV	DATE	DESCRIPTION	BY	CHK	APP
H	3-1823467-6	PBT-GF10 VIOLET RETAINER... 0.7			
G	3-1823467-7	PBT-GF10 VIOLET RETAINER... 0.7			
F	3-1823467-8	PBT-GF10 VIOLET RETAINER... 0.7			
E	3-1823467-5	PBT-GF10 VIOLET RETAINER... 0.7			
D	3-1823467-4	PBT-GF10 VIOLET RETAINER... 0.7			
C	3-1823467-3	PBT-GF10 VIOLET RETAINER... 0.7			
B	3-1823467-2	PBT-GF10 VIOLET RETAINER... 0.7			
A	3-1823467-1	PBT-GF10 VIOLET RETAINER... 0.7			



REV	DATE	DESCRIPTION	BY	CHK	APP
H	6-1823467-8	PBT-GF10 VIOLET RETAINER... 0.5			
H	2-1823467-8	PBT-GF10 VIOLET RETAINER... 0.5			
H	1-1823467-8	PBT-GF10 VIOLET RETAINER... 0.5			
G	1-1823467-7	PBT-GF10 VIOLET RETAINER... 0.5			
F	1-1823467-6	PBT-GF10 VIOLET RETAINER... 0.5			
E	1-1823467-5	PBT-GF10 VIOLET RETAINER... 0.5			
D	1-1823467-4	PBT-GF10 VIOLET RETAINER... 0.5			
C	1-1823467-3	PBT-GF10 VIOLET RETAINER... 0.5			
B	1-1823467-2	PBT-GF10 VIOLET RETAINER... 0.5			
A	1-1823467-1	PBT-GF10 VIOLET RETAINER... 0.5			



REV	DATE	DESCRIPTION	BY	CHK	APP
H	0-1823467-8	PBT-GF10 VIOLET RETAINER... 0.7			
H	9-1823467-8	PBT-GF10 VIOLET RETAINER... 0.7			
H	1823467-8	PBT-GF10 VIOLET RETAINER... 0.7			
G	1823467-7	PBT-GF10 VIOLET RETAINER... 0.7			
F	1823467-6	PBT-GF10 VIOLET RETAINER... 0.7			
E	1823467-5	PBT-GF10 VIOLET RETAINER... 0.7			
D	1823467-4	PBT-GF10 VIOLET RETAINER... 0.7			
C	1823467-3	PBT-GF10 VIOLET RETAINER... 0.7			
B	1823467-2	PBT-GF10 VIOLET RETAINER... 0.7			
A	1823467-1	PBT-GF10 VIOLET RETAINER... 0.7			



NOTES
Bemerkungen

1 DELIVERY CONDITION, RETAINER IN PER-LOCK POSITION
Anlieferungsstatus, Kontaktsicherung in Vorraststellung

2 TERMINALS, SEE TE DRAWING: 1241436
Kontakte, siehe TE Zeichnung: 1241436

3 INTERFACE ACC. TO TE SPECIFICATION No. 114-18375-1
Schnittstelle nach TE Spezifikation No. 114-18375-1

4 BULK PACKAGED
Schüttgut verpackt

THIS DRAWING IS A CONTROLLED DOCUMENT.

REV: 18MAY2009
APP: 19MAY2009

STE TE Connectivity

6POS. AMP MCP1.5K, REC. HOUSING
6POLIG. AMP MCP1.5K, BUCHSENGEHAUSE
ASSY

SCALE: 2:1

单击下面可查看定价，库存，交付和生命周期等信息

[>>TE Connectivity\(泰科\)](#)