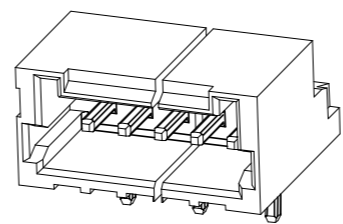
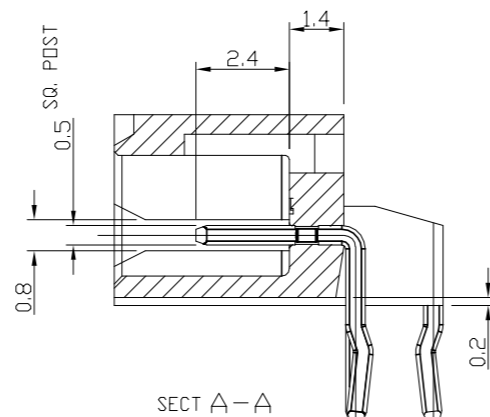
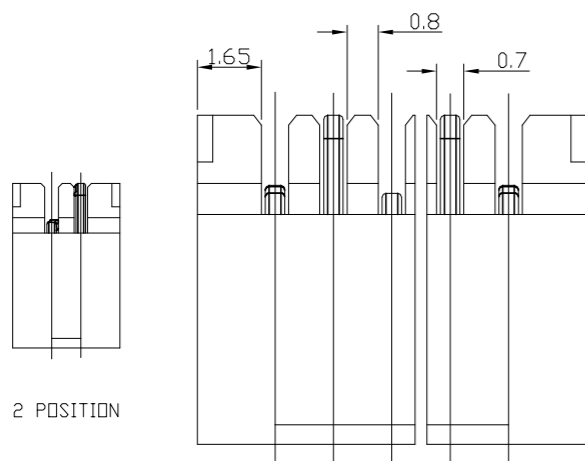
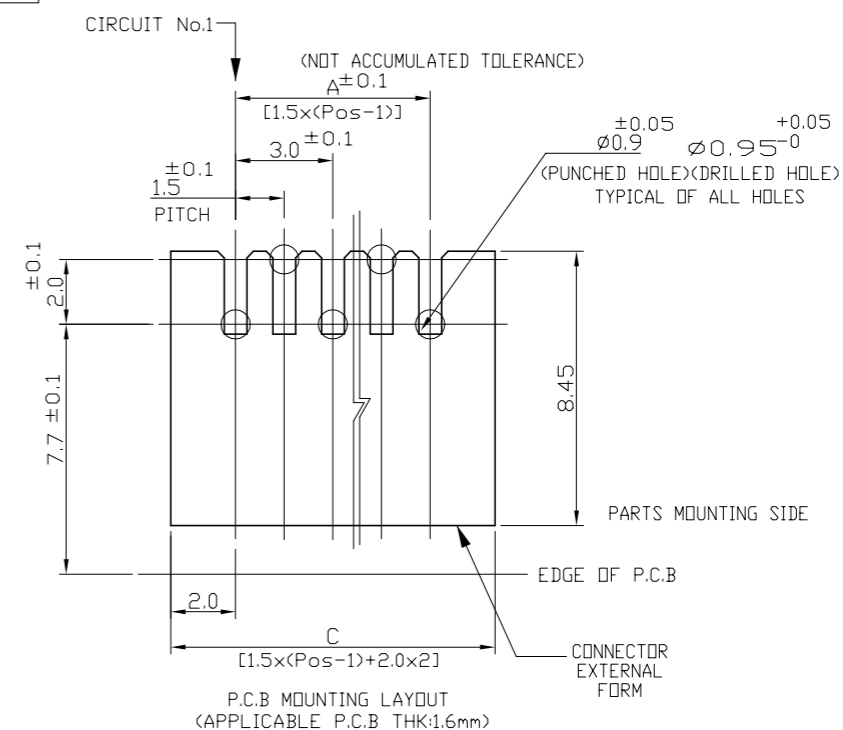
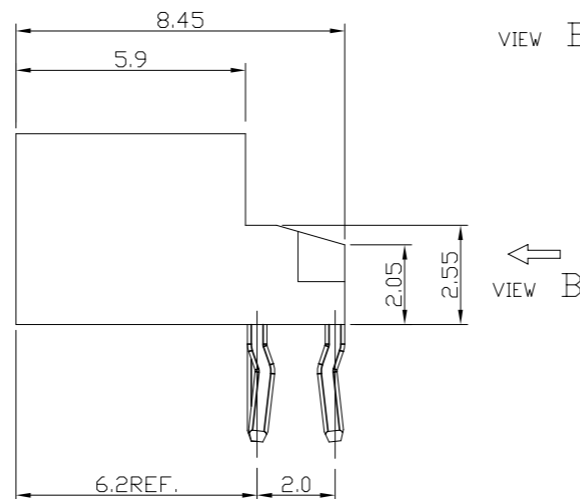
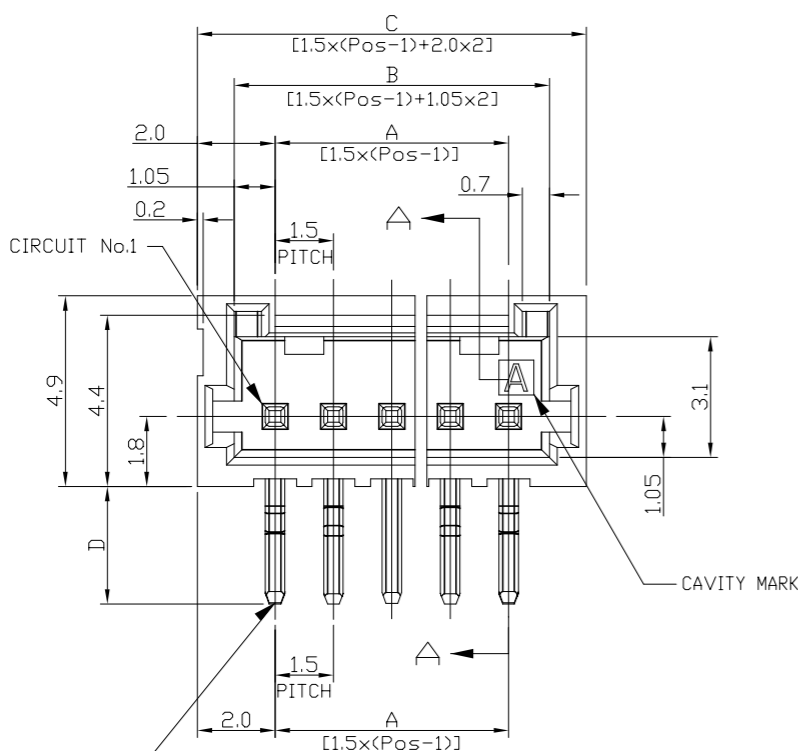
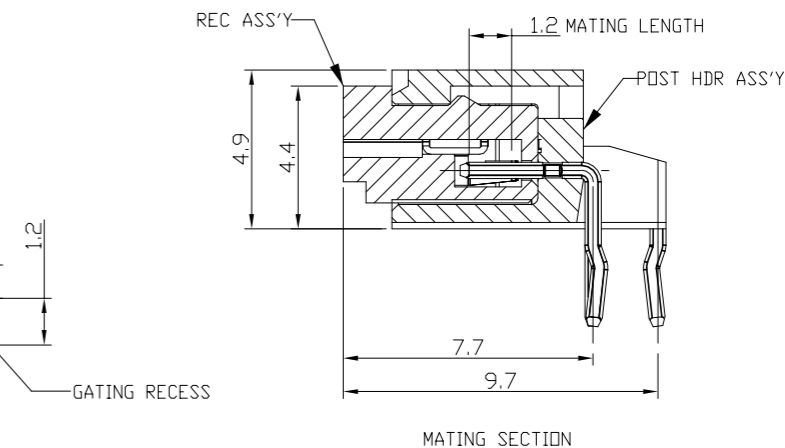
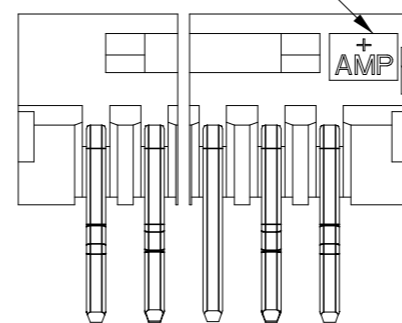


P	LTR	DESCRIPTION	DATE	DWN	APVD
	B1	ECR-20-004164	29MAR2020	T.Q	W.H



TRADE MARK



KINKING FORMING BOTH SIDE EACH 2 PLACES TOTAL: 4 PLACES

NOTES:

1.MATERIAL:
HOUSING:NYLON(G.F.) UL94V-0,COLOR:GRAY,BLUE
POST:PRE-TIN 0.5mm SQ. BRASS WIRE

TOLERANCES UNLESS OTHERWISE SPECIFIED:

10 > * : ±0.2
30 > * >10 : ±0.25
100 > * >30 : ±0.3
ANGLE : ±3°

THIS DRAWING IS A CONTROLLED DOCUMENT.

DIMENSIONS:	TOLERANCES UNLESS OTHERWISE SPECIFIED:
mm	
	0 PLC ± -
	1 PLC ± -
	2 PLC ± -
	3 PLC ± -
	4 PLC ± -
	ANGLES ± -
MATERIAL	FINISH
SEE NOTE 1	SEE NOTE 1

DWN	S.YAO	06DEC02
CHK	T.SASAKI	31JAN03
APVD	T. SASAKI	31JAN03
PRODUCT SPEC	108-60018	
APPLICATION SPEC	114-5223	
WEIGHT	SEE TABLE	
CUSTOMER DRAWING		



AMP Mini CT Connector 1.5mm Pitch
Single Row HDR with Kink
DIP Staggered Type

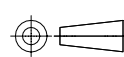
NAME	SIZE	CAGE CODE	DRAWING NO	RESTRICTED TO
	A3	00779	C=292206	-

SCALE	SHEET	REV
NON	1 of 2	B1

REVISIONS

P	LTR	DESCRIPTION	DATE	DWN	APVD
-		SEE SHEET 1	-	-	-

0.28	2.5	8.5	6.6	4.5	4			9-292206-4
0.23	2.5	7.0	5.1	3.0	3			9-292206-3
1.11	3.0	32.5	30.6	28.5	20	7-292206-0	4-292206-0	2-292206-0
1.06	3.0	31.0	29.1	27.0	19	6-292206-9	3-292206-9	1-292206-9
1.01	3.0	29.5	27.6	25.5	18	6-292206-8	3-292206-8	1-292206-8
0.96	3.0	28.0	26.1	24.0	17	6-292206-7	3-292206-7	1-292206-7
0.91	3.0	26.5	24.6	22.5	16	6-292206-6	3-292206-6	1-292206-6
0.86	3.0	25.0	23.1	21.0	15	6-292206-5	3-292206-5	1-292206-5
0.81	3.0	23.5	21.6	19.5	14	6-292206-4	3-292206-4	1-292206-4
0.75	3.0	22.0	20.1	18.0	13	6-292206-3	3-292206-3	1-292206-3
0.70	3.0	20.5	18.6	16.5	12	6-292206-2	3-292206-2	1-292206-2
0.65	3.0	19.0	17.1	15.0	11	6-292206-1	3-292206-1	1-292206-1
0.60	3.0	17.5	15.6	13.5	10	6-292206-0	3-292206-0	1-292206-0
0.54	3.0	16.0	14.1	12.0	9	5-292206-9	2-292206-9	292206-9
0.49	3.0	14.5	12.6	10.5	8	5-292206-8	2-292206-8	292206-8
0.44	3.0	13.0	11.1	9.0	7	5-292206-7	2-292206-7	292206-7
0.40	3.0	11.5	9.6	7.5	6	5-292206-6	2-292206-6	292206-6
0.34	3.0	10.0	8.1	6.0	5	5-292206-5	2-292206-5	292206-5
0.29	3.0	8.5	6.6	4.5	4	5-292206-4	2-292206-4	292206-4
0.24	3.0	7.0	5.1	3.0	3	5-292206-3	2-292206-3	292206-3
0.19	3.0	5.5	3.6	1.5	2	5-292206-2	2-292206-2	292206-2
WEIGHT <g>	D	C	B	A	Pos.	BLUE	BLACK	GRAY
	DIMENSIONS					PART NO		

THIS DRAWING IS A CONTROLLED DOCUMENT.		DWN S.YAO	06DEC02	STE TE Connectivity	
		CHK T.SASAKI	31JAN03		
DIMENSIONS: mm		APVD T. SASAKI		NAME	
		PRODUCT SPEC 108-60018		AMP Mini CT Connector 1.5mm Pitch Single Row HDR with Kink DIP Staggered Type	
		APPLICATION SPEC 114-5223		RESTRICTED TO -	
MATERIAL SEE NOTE 1	FINISH SEE NOTE 1	WEIGHT SEE TABLE	SIZE A3	CAGE CODE 00779	DRAWING NO C-292206
CUSTOMER DRAWING			SCALE NON	SHEET 2 OF 2	REV B1

单击下面可查看定价，库存，交付和生命周期等信息

[>>TE Connectivity\(泰科\)](#)