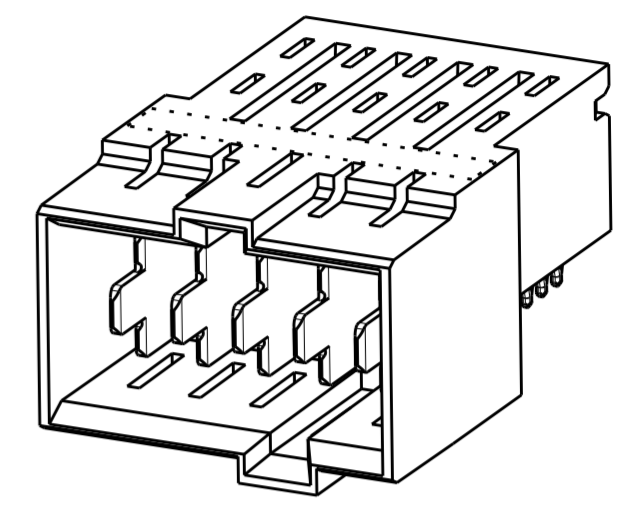
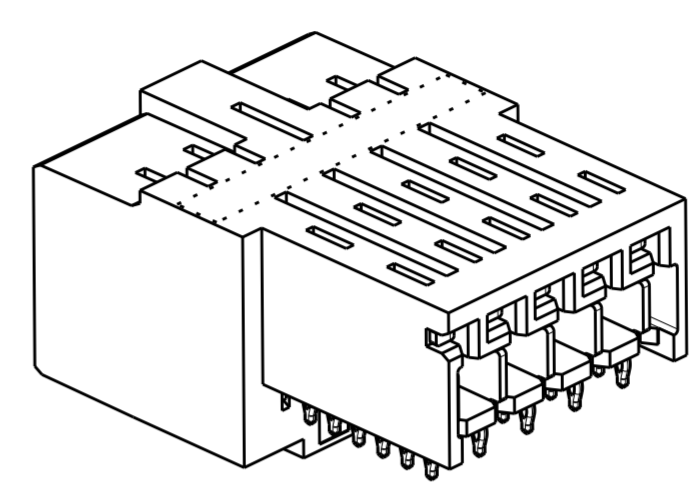
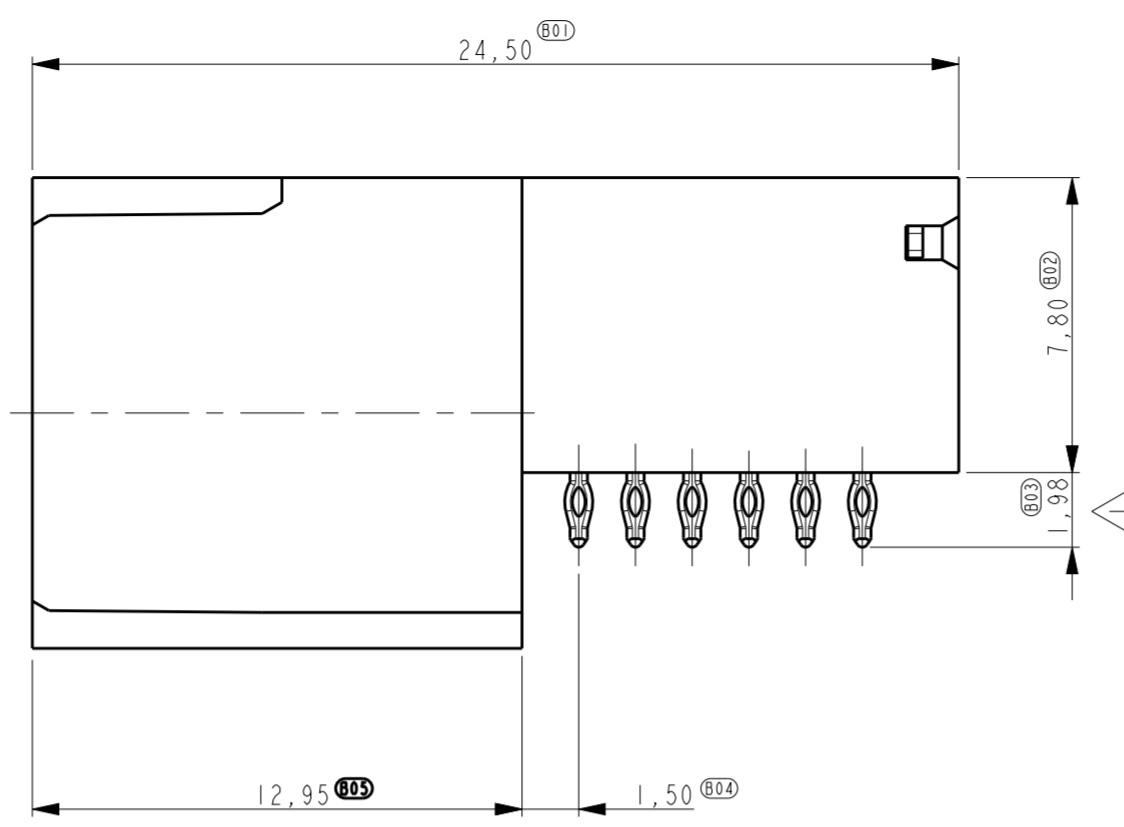
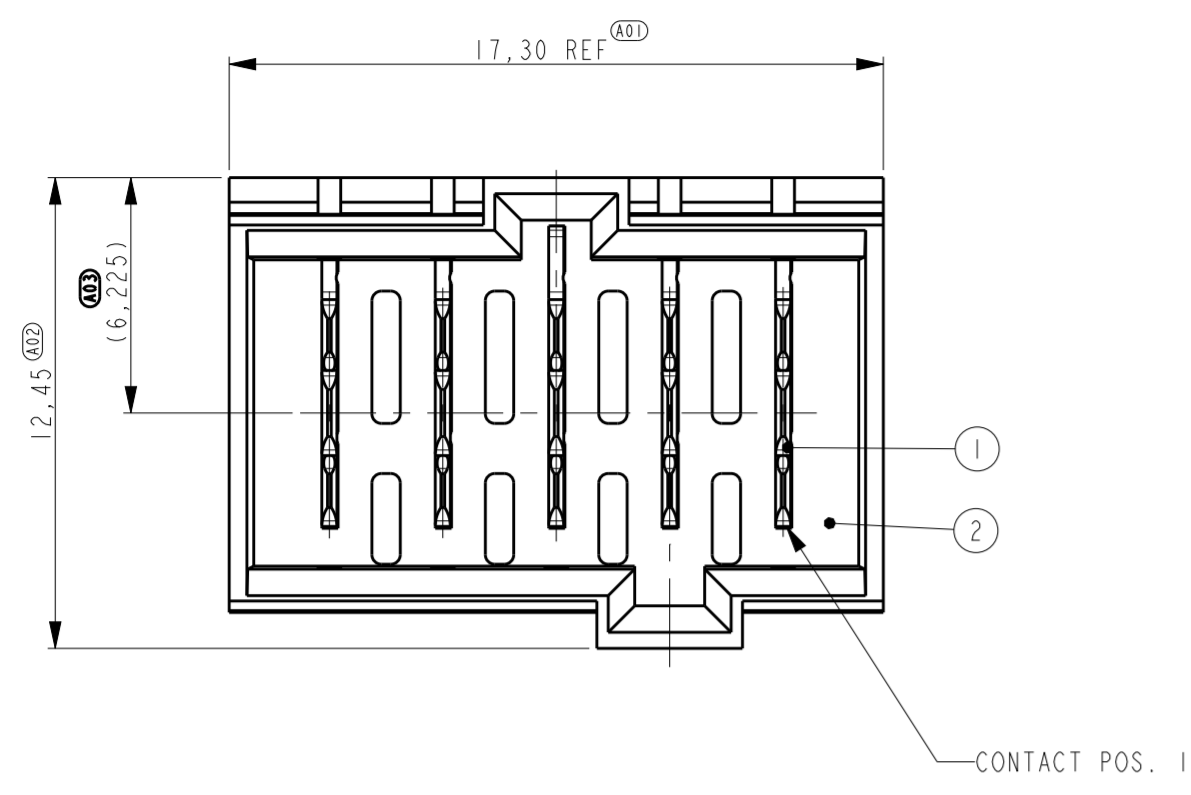


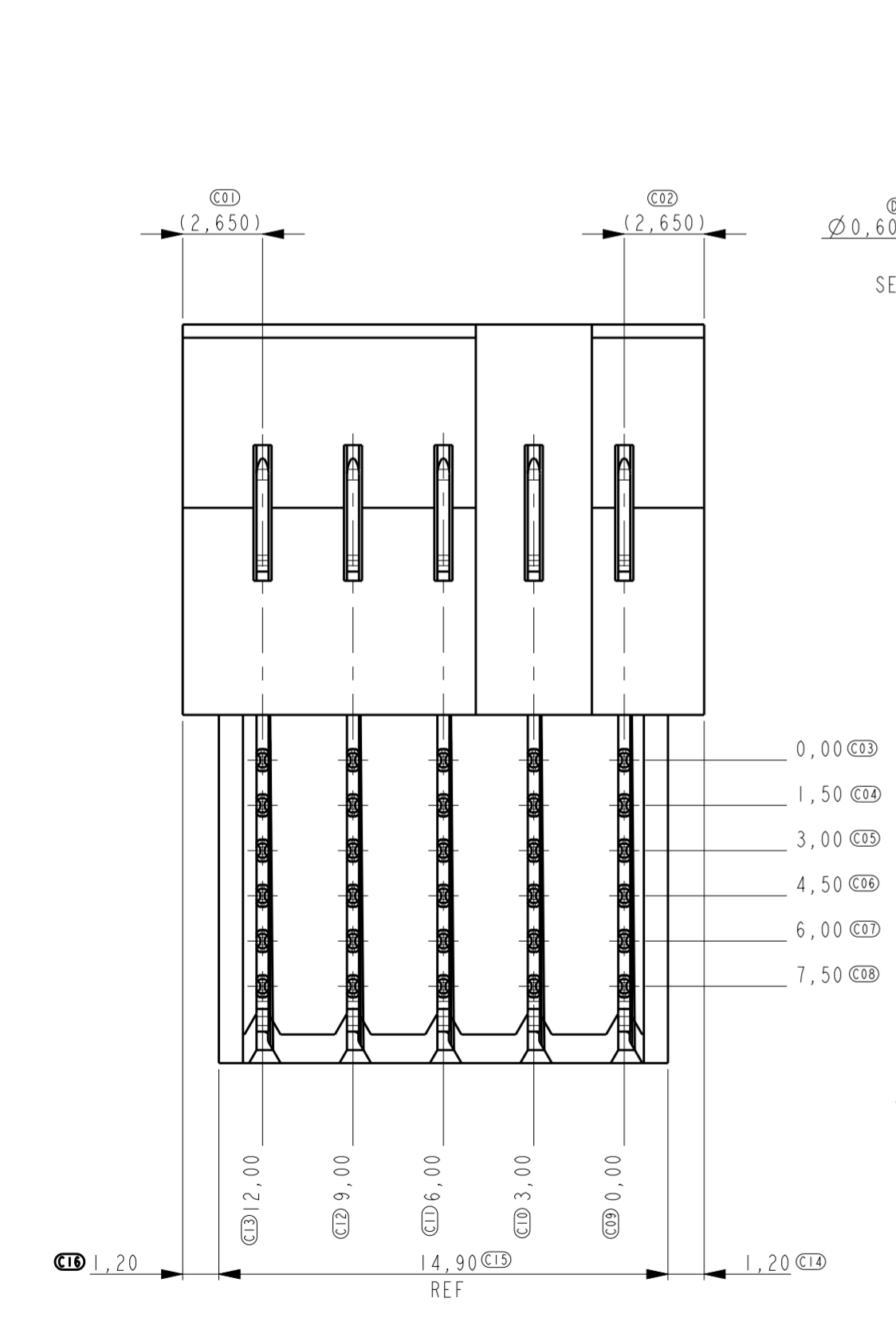
THIS DRAWING IS UNPUBLISHED. RELEASED FOR PUBLICATION  
 © COPYRIGHT - BY TYCO ELECTRONICS CORPORATION. ALL RIGHTS RESERVED.

LOC		DIST		REVISIONS			
P	LTR	DESCRIPTION	DATE	DWN	APVD		
A		ECR-16-013766	10OCT2016	FL	SY		

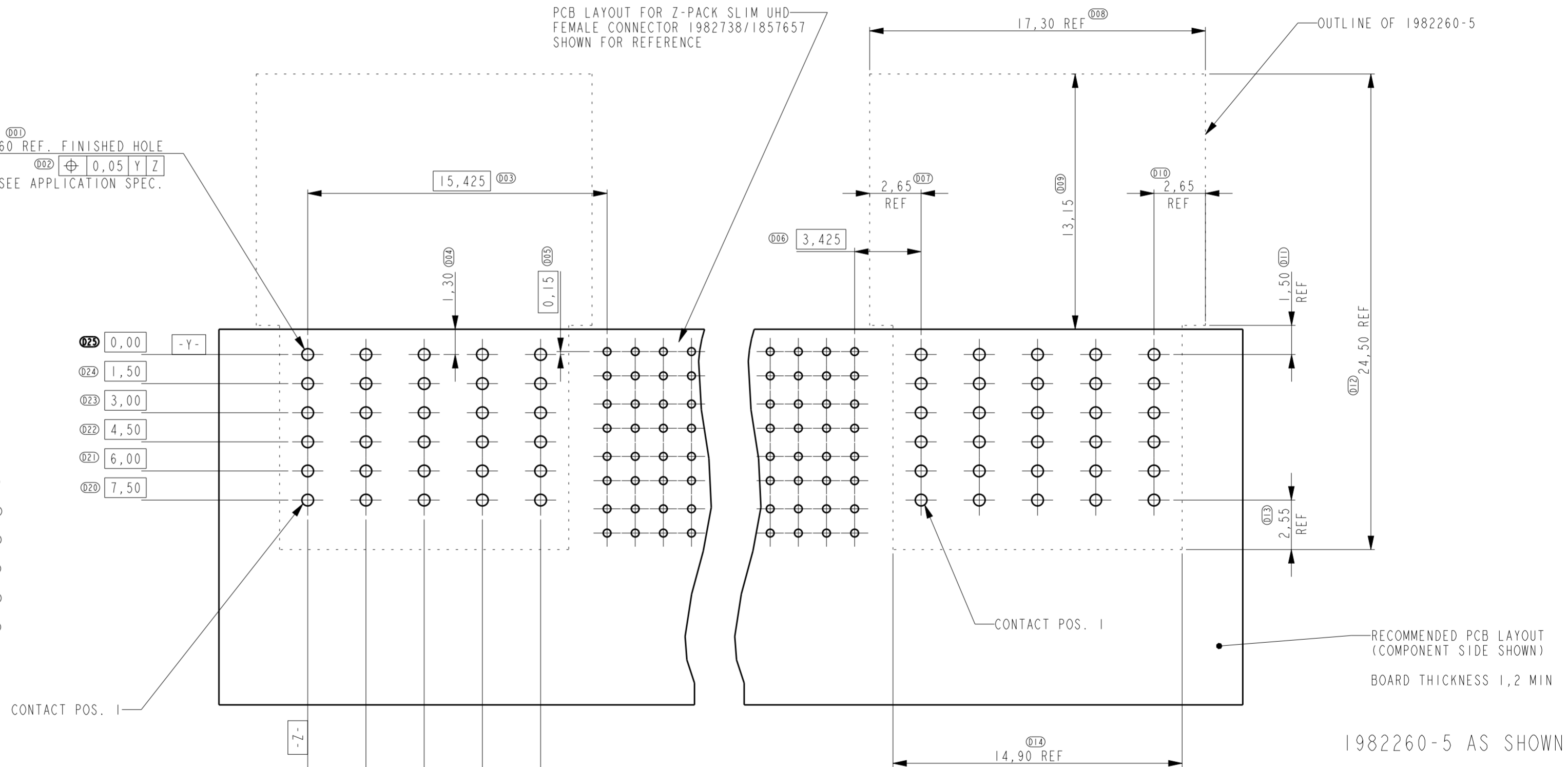


SCALE 3:1

SCALE 3:1



Ø 0,60 REF. FINISHED HOLE  
 0,05 Y Z  
 SEE APPLICATION SPEC.

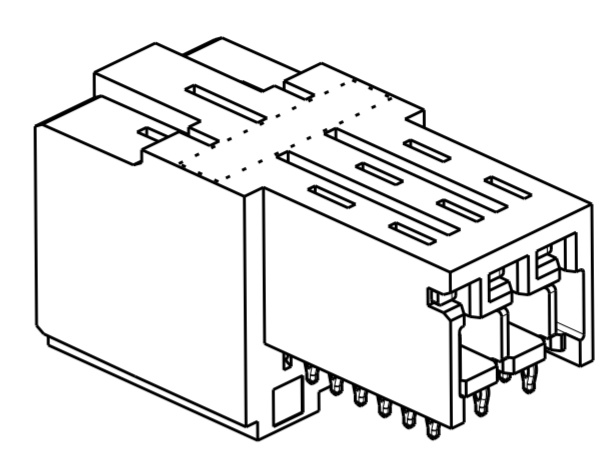
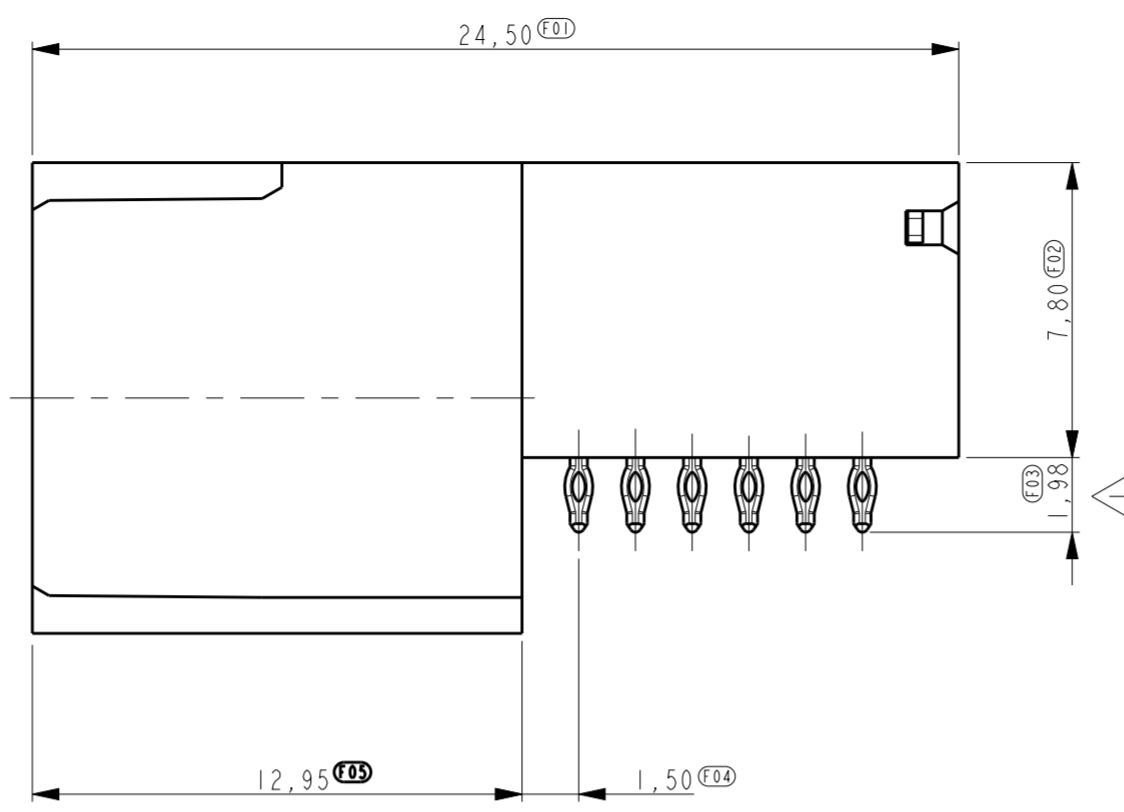
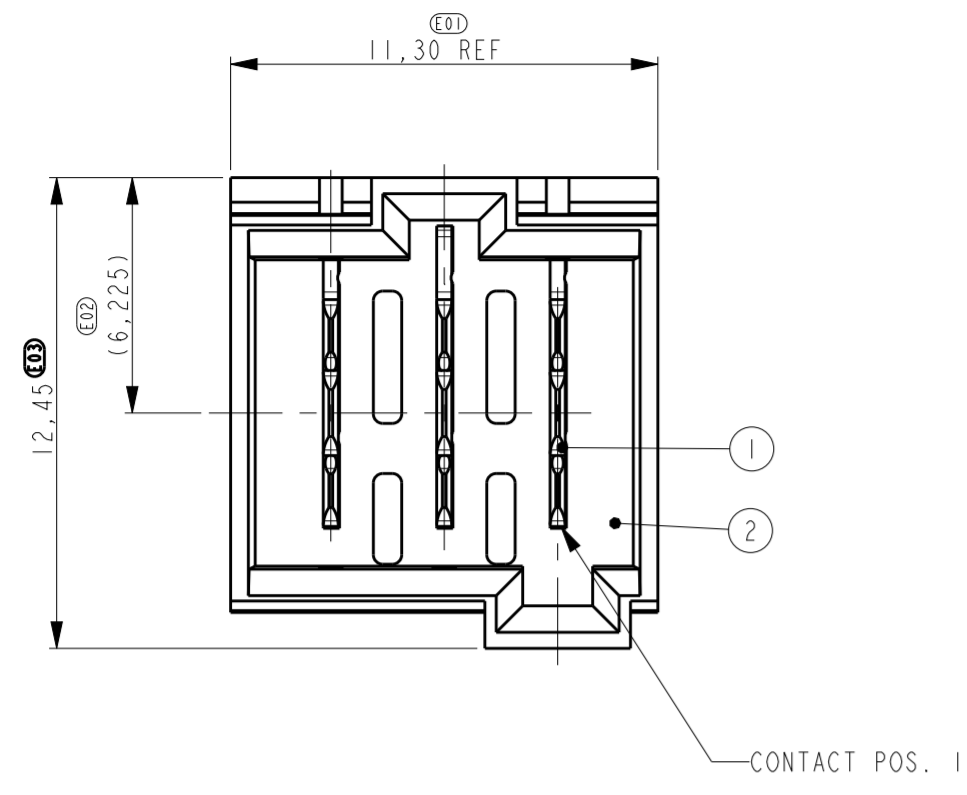


NOTES:  
 1 PLATING: 0,5µm MIN. TIN OVER NICKEL.  
 2 PLATING IN CONTACT AREA  
 1,27 µm MIN. Au OVER 1,27µm MIN. Ni

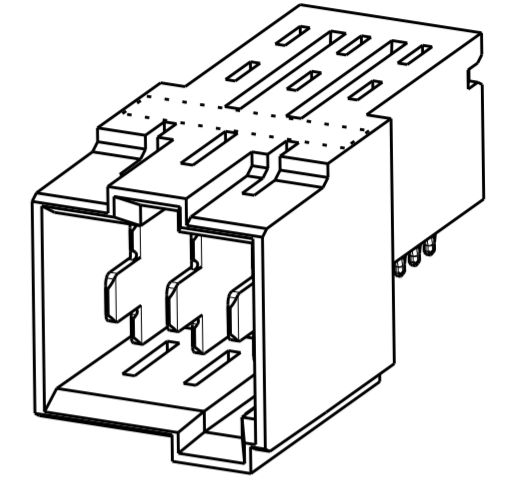
THIS DRAWING IS A CONTROLLED DOCUMENT FOR TYCO ELECTRONICS CORPORATION. IT IS SUBJECT TO CHANGE AND THE CONTROLLING ENGINEERING ORGANIZATION SHOULD BE CONTACTED FOR THE LATEST REVISION.		DWN J.VOS 28-MAY-08	Tyco Electronics Corporation 's-Hertogenbosch, Nederland	
DIMENSIONS: mm		CHK R.DAAMEN 28-MAY-08	NAME	
TOLERANCES UNLESS OTHERWISE SPECIFIED:		APVD R.VD.SANDT	PLUG ASSEMBLY RIGHT ANGLE Z-PACK SLIM UHD POWER	
0 PLC ±		PRODUCT SPEC 108-19367	SIZE CAGE CODE DRAWING NO RESTRICTED TO	
1 PLC ±0,1		APPLICATION SPEC 114-19122	A2 00779 C-1982260	
2 PLC ±0,05		WEIGHT	SCALE 5:1 SHEET 1 OF 2 REV A	
3 PLC ±0,025		CUSTOMER DRAWING		
4 PLC ±				
ANGLES ±2°				
FINISH				

THIS DRAWING IS UNPUBLISHED. RELEASED FOR PUBLICATION  
 © COPYRIGHT - BY TYCO ELECTRONICS CORPORATION. ALL RIGHTS RESERVED.

LOC		DIST		REVISIONS			
P	LTR	DATE	DWN	APVD	DESCRIPTION		
-	-	-	-	-	SEE SHEET 1		

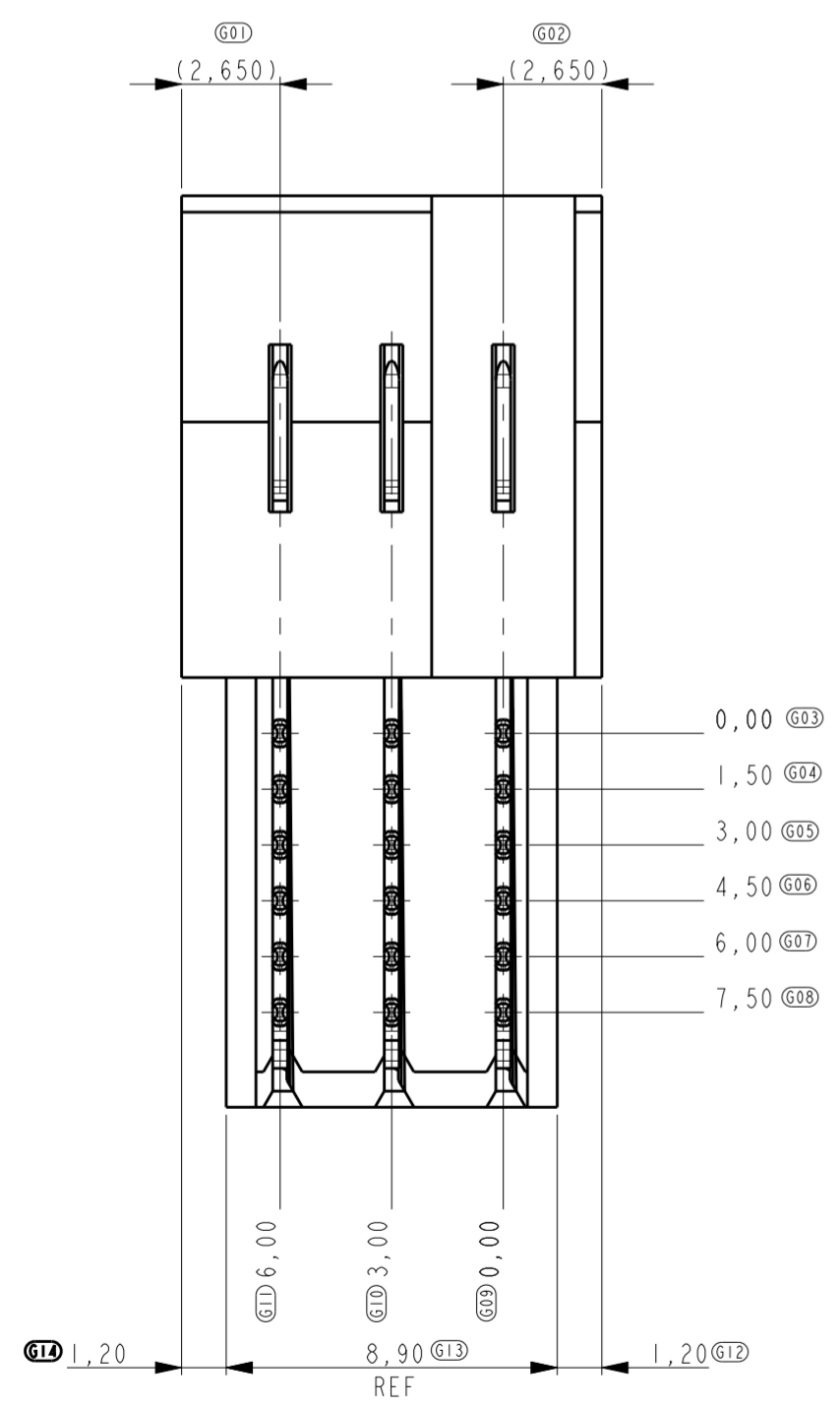


SCALE 3:1

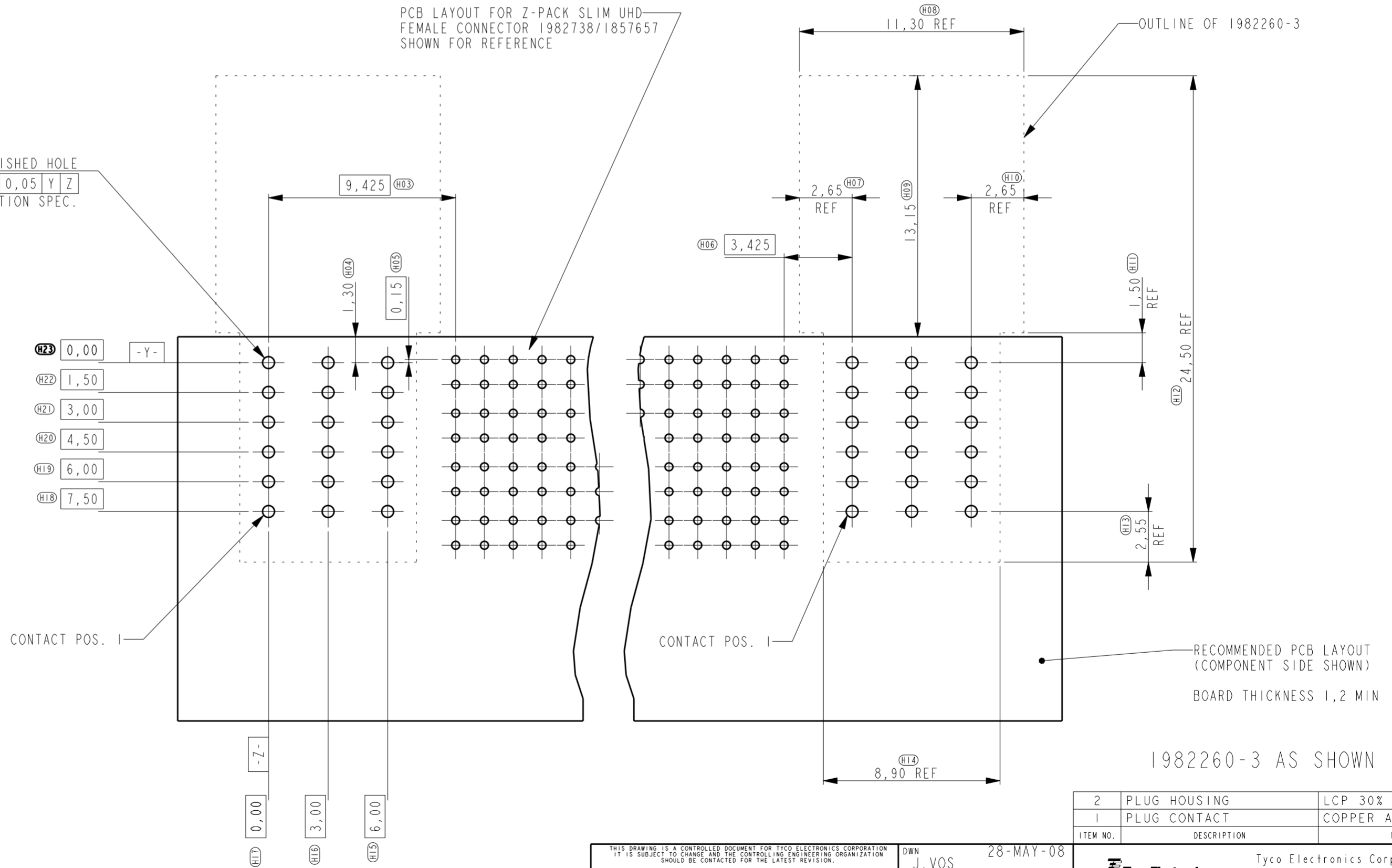


SCALE 3:1

PCB LAYOUT FOR Z-PACK SLIM UHD FEMALE CONNECTOR 1982738/1857657 SHOWN FOR REFERENCE



Ø 0,60 REF. FINISHED HOLE (H01)  
 (H02) ± 0,05 Y Z  
 SEE APPLICATION SPEC.



RECOMMENDED PCB LAYOUT (COMPONENT SIDE SHOWN)  
 BOARD THICKNESS 1,2 MIN

1982260-3 AS SHOWN

- NOTES:
- 1 PLATING: 0,5µm MIN. TIN OVER NICKEL.
  - 2 PLATING IN CONTACT AREA 1,27 µm MIN. Au OVER 1,27µm MIN. Ni

THIS DRAWING IS A CONTROLLED DOCUMENT FOR TYCO ELECTRONICS CORPORATION. IT IS SUBJECT TO CHANGE AND THE CONTROLLING ENGINEERING ORGANIZATION SHOULD BE CONTACTED FOR THE LATEST REVISION.		DWN J.VOS 28-MAY-08	Tyco Electronics Corporation 's-Hertogenbosch, Nederland	
DIMENSIONS: mm		CHK R.DAAMEN 28-MAY-08	NAME R.VD.SANDT	
TOLERANCES UNLESS OTHERWISE SPECIFIED:		APVD -	PRODUCT SPEC 108-19367	
0 PLC ±		APPLICATION SPEC 114-19122		SIZE A2
1 PLC ±0,1		WEIGHT -		CAGE CODE 00779
2 PLC ±0,05		CUSTOMER DRAWING		DRAWING NO C-1982260
3 PLC ±0,025		SCALE 1:1		RESTRICTED TO -
4 PLC ±		SHEET 2 OF 2		REV A
ANGLES ±2°				
FINISH				

单击下面可查看定价，库存，交付和生命周期等信息

[>>TE Connectivity\(泰科\)](#)