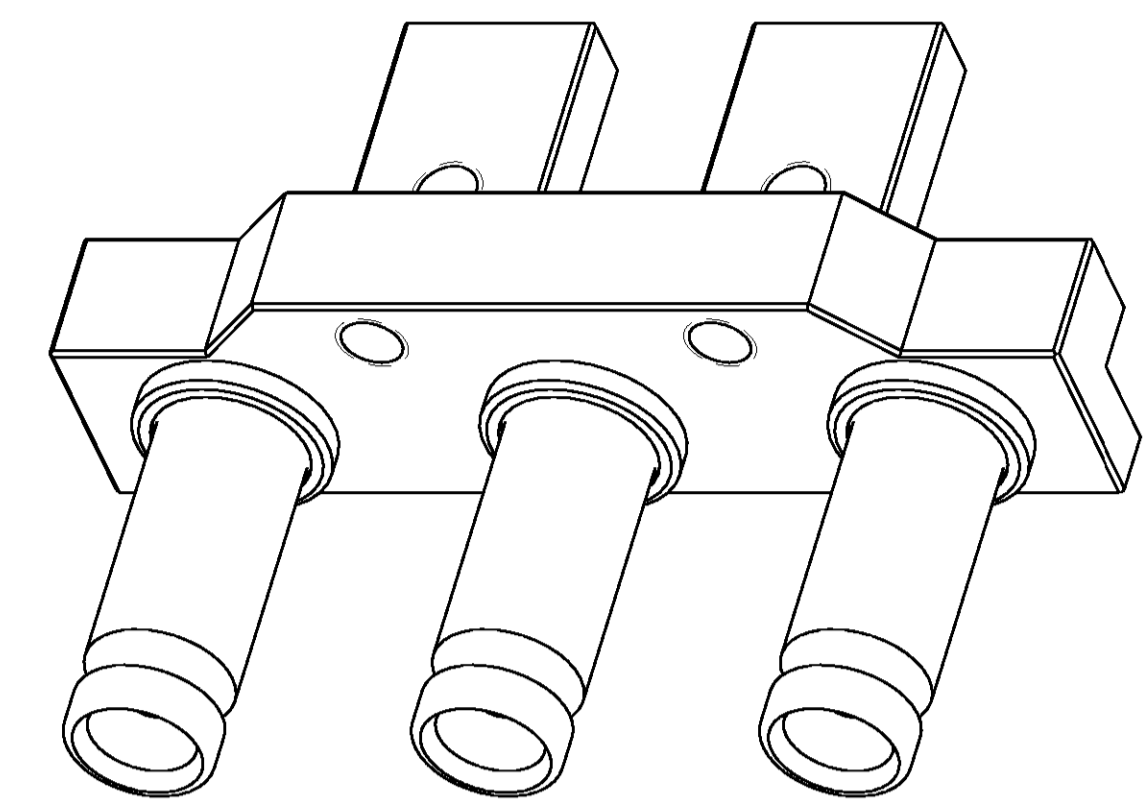
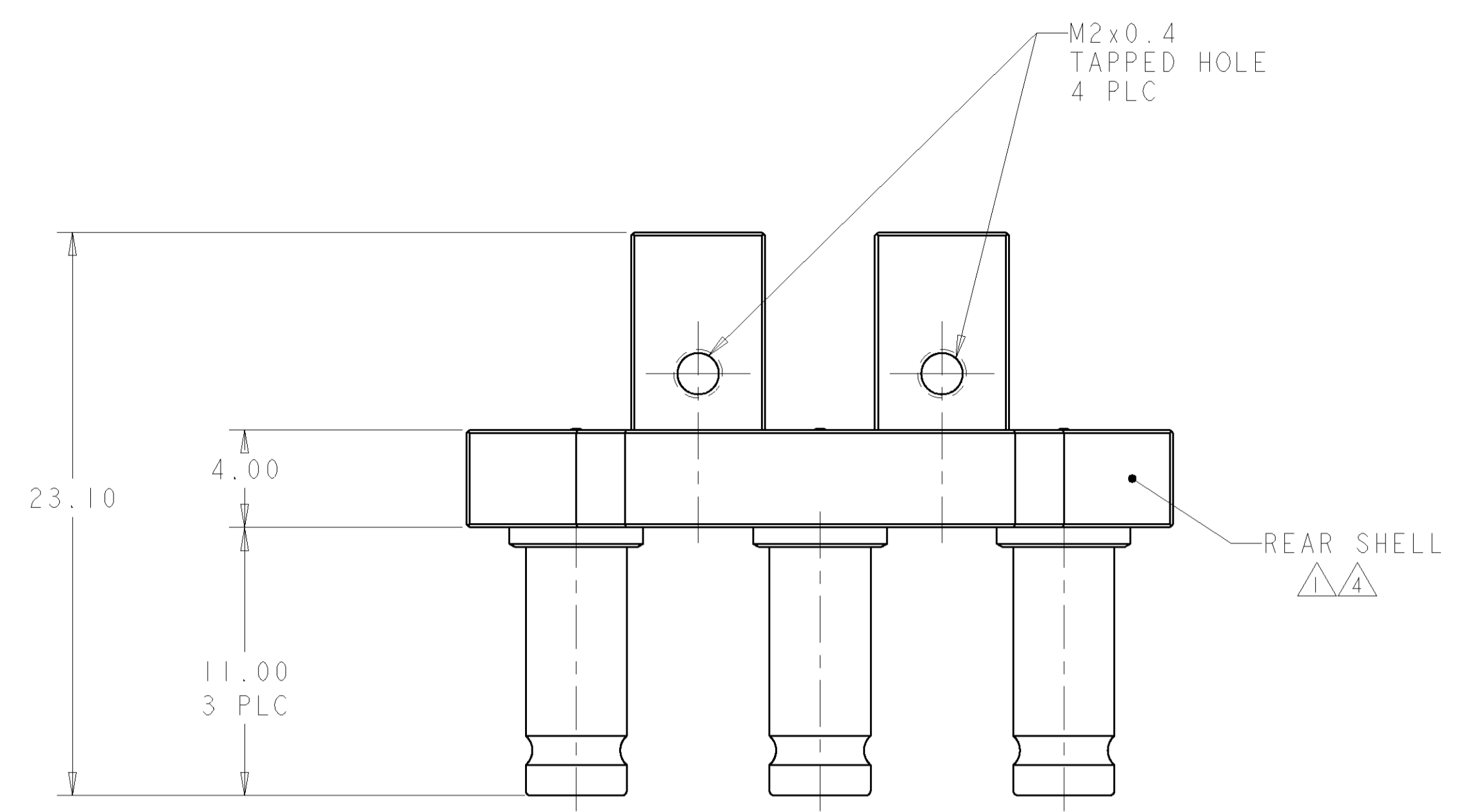
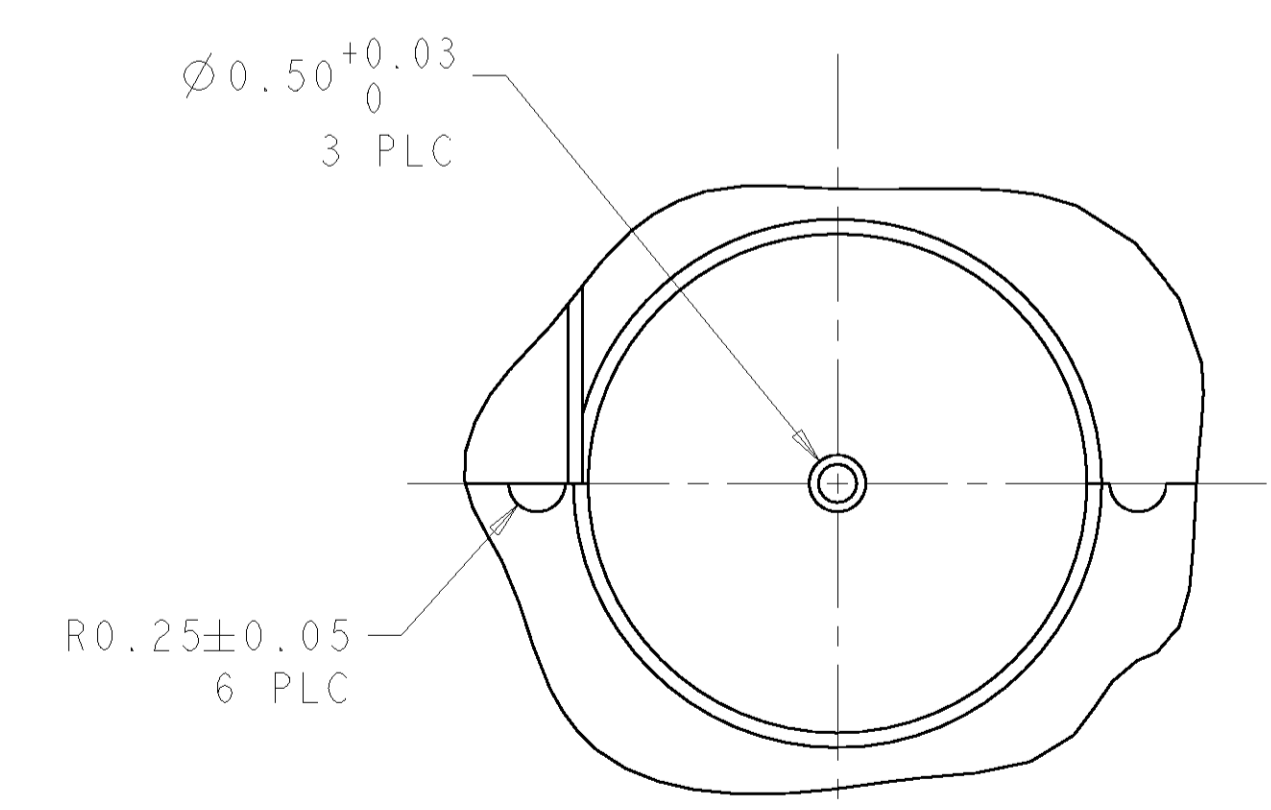
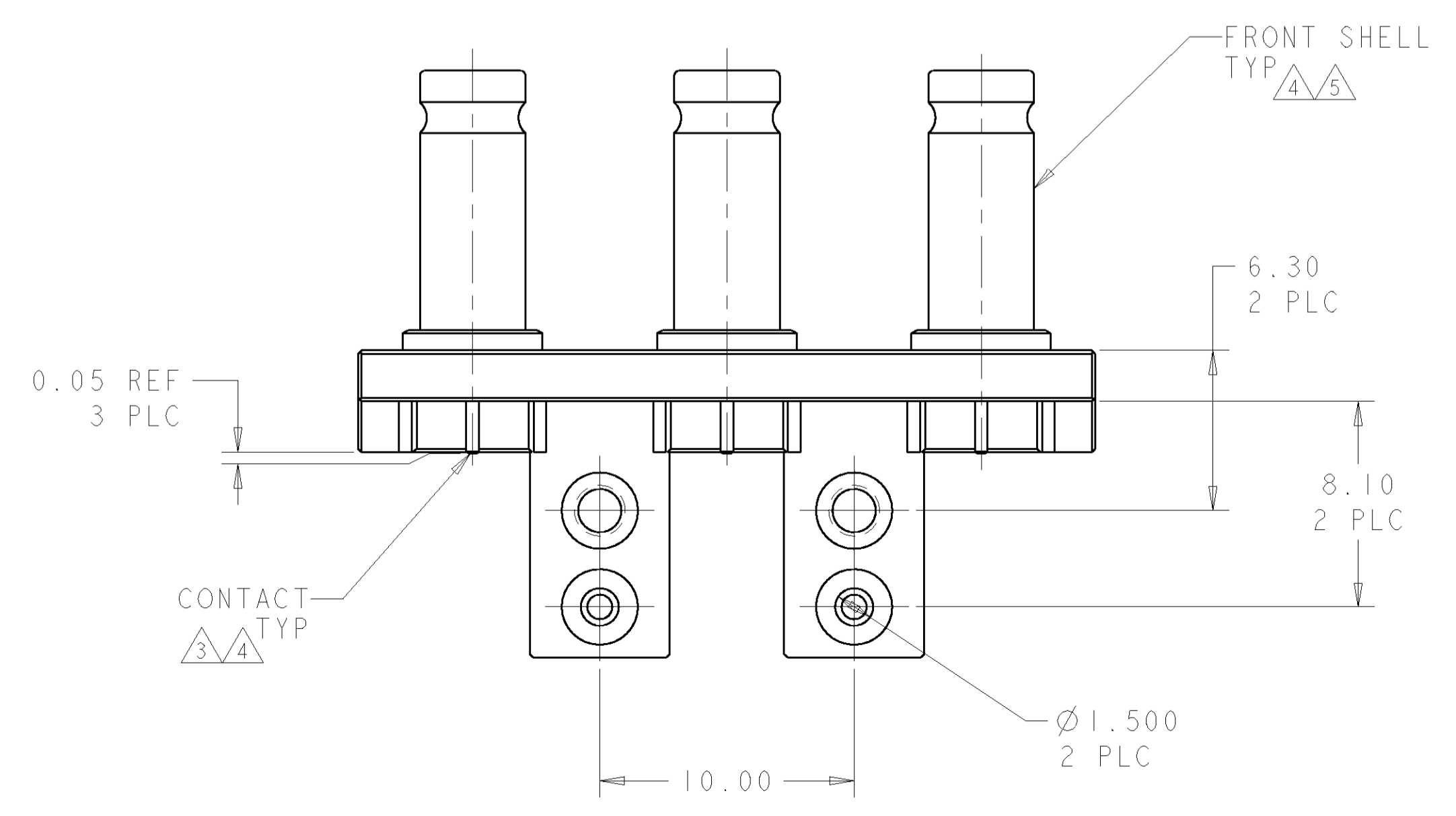
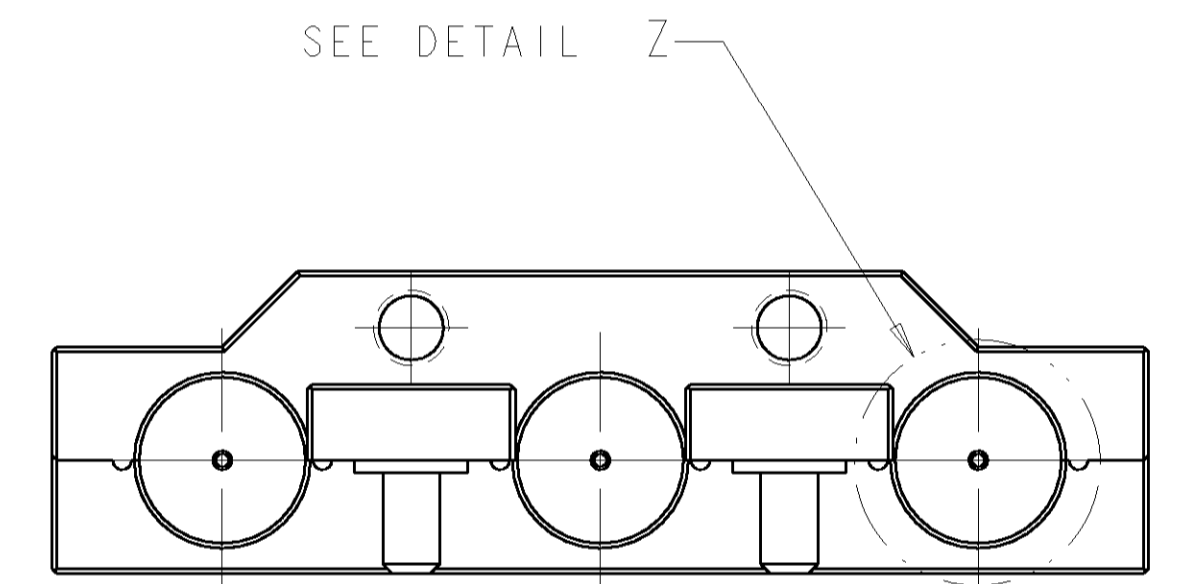
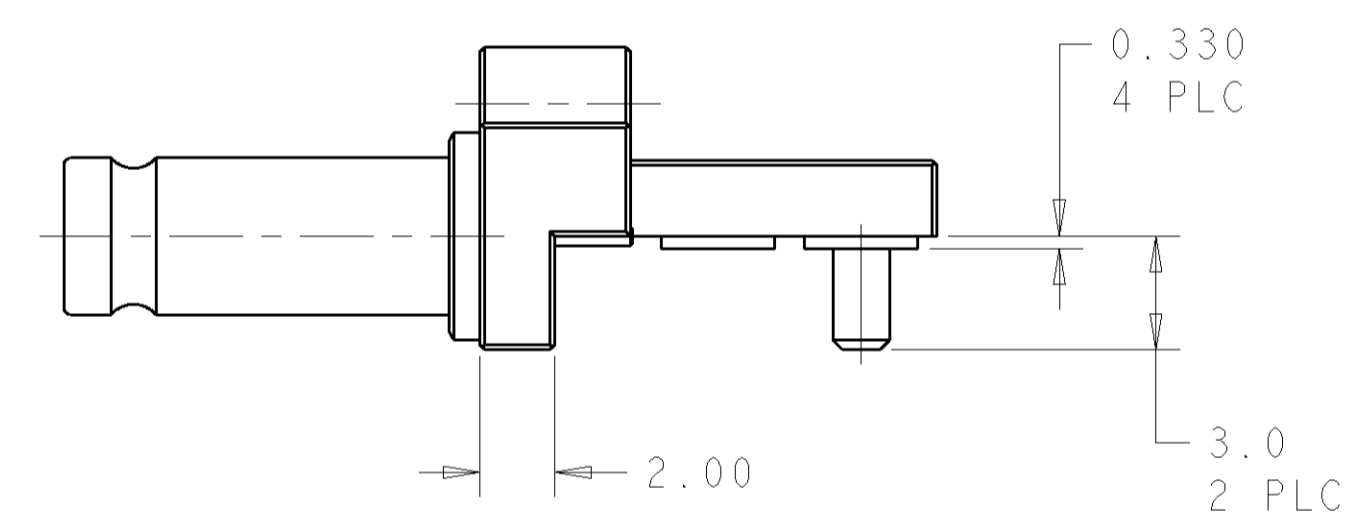
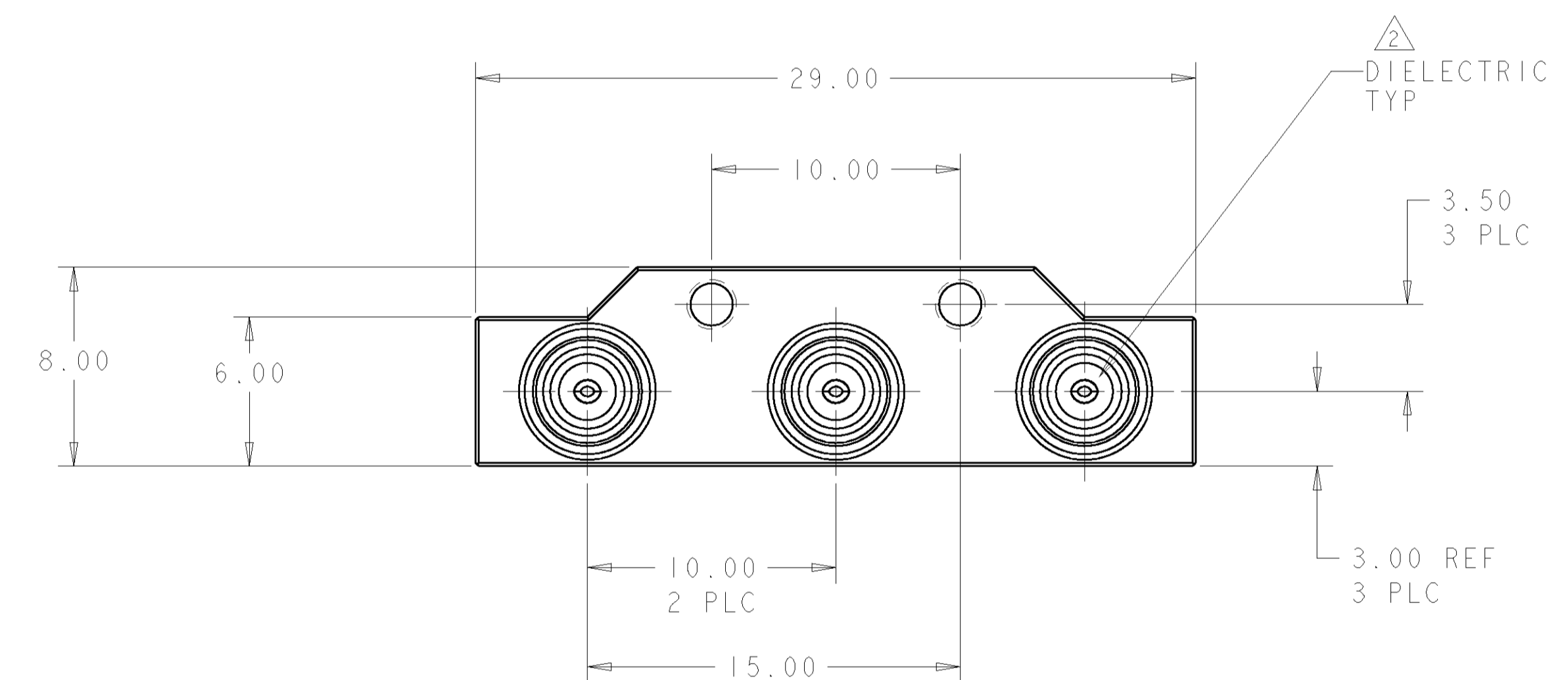


LOC		DIST		REVISIONS			
P	LTR	DESCRIPTION	DATE	DWN	APVD		
A		RELEASED PER ECO-06-015764	13JUL2006	KS	KW		



- △ ZINC PER ASTM B 86
- △ PTFE PER ASTM D 1710
- △ BERYLLIUM COPPER PER ASTM B 196
- △ GOLD PLATE PER ASTM B 488
- △ BRASS PER ASTM B 16
- 6. CONNECTOR INTERFACE PER CECC 22 230
- 7. CONNECTOR DESIGNED FOR 0.15 NOMINAL SOLDER PASTE THICKNESS
- 8. CONNECTOR DESIGNED FOR 2.03 NOMINAL PANEL THICKNESS
- 9. CONNECTOR DESIGNED FOR PCB AND PANEL ATTACHMENT WITH M2x0.4 PAN HEAD SCREW. HEAD 4.0 DIA MAX
- 10. PRODUCT HAS NOT COMPLETED VALIDATION TESTING

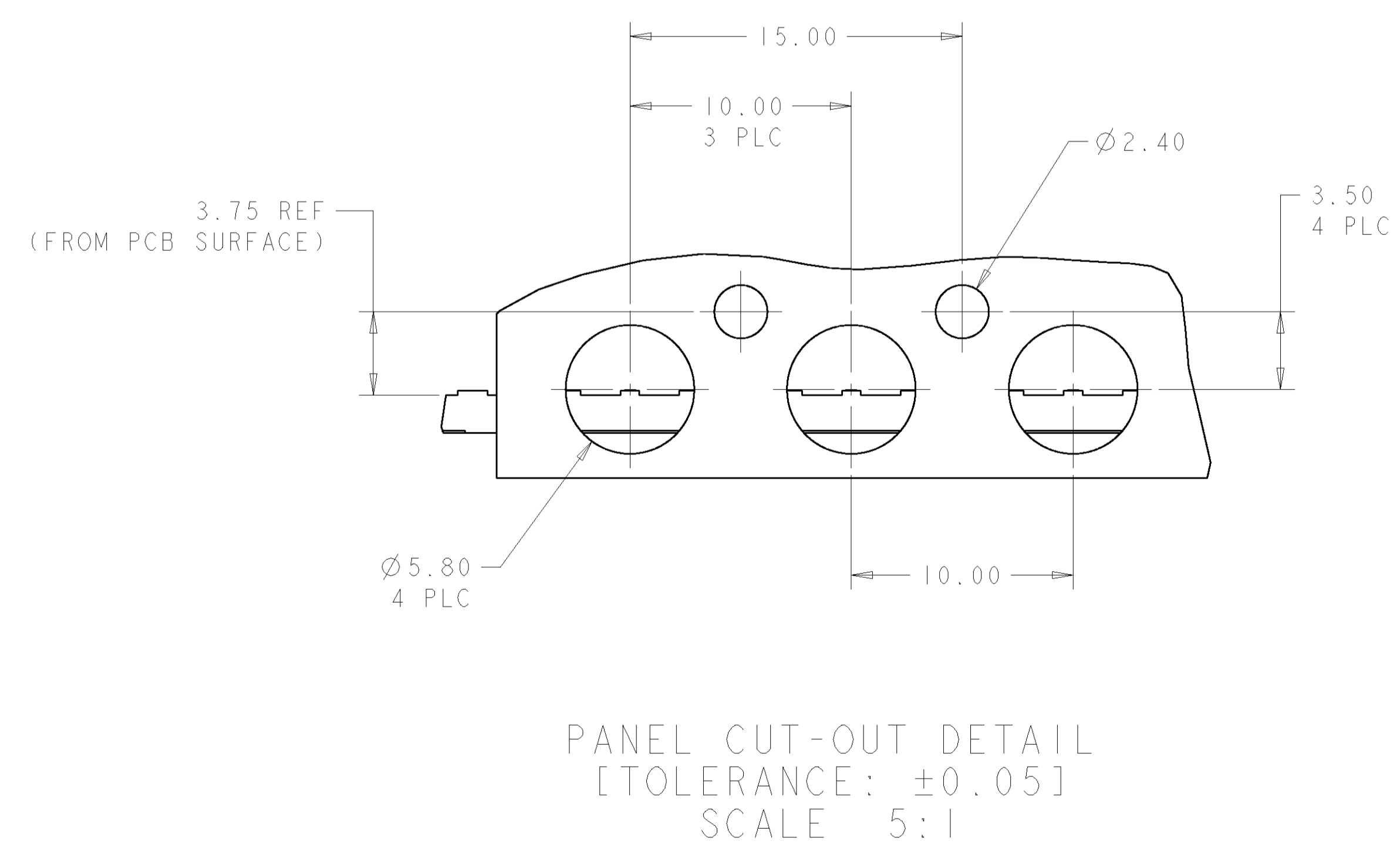
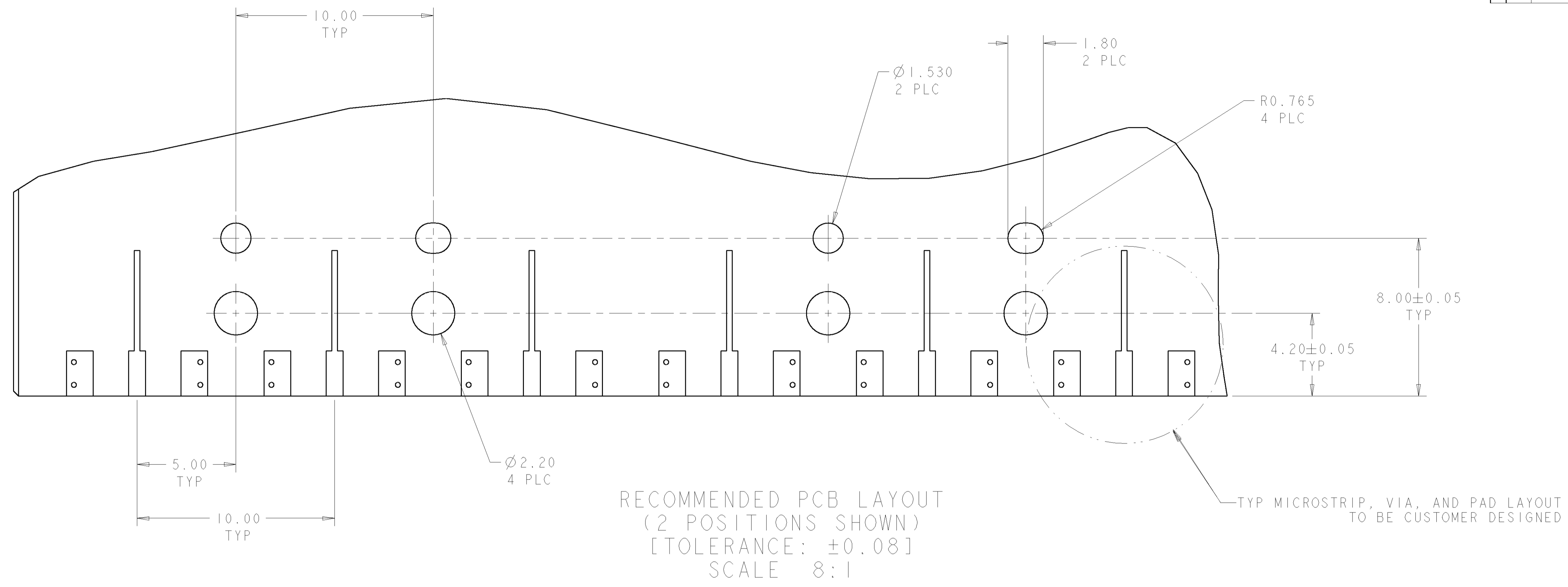


DETAIL Z
SCALE 15:1

1274714-2
PART NUMBER

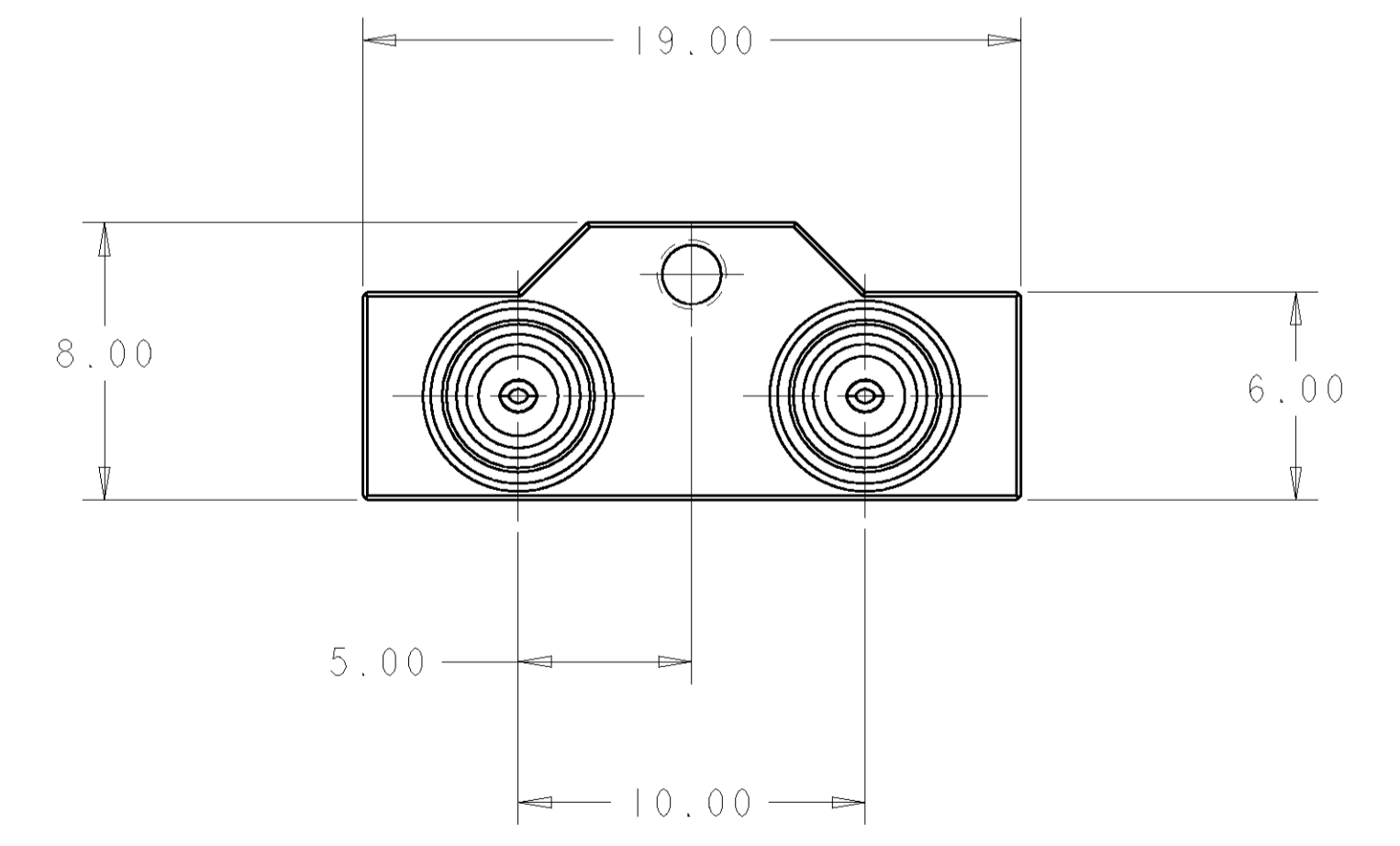
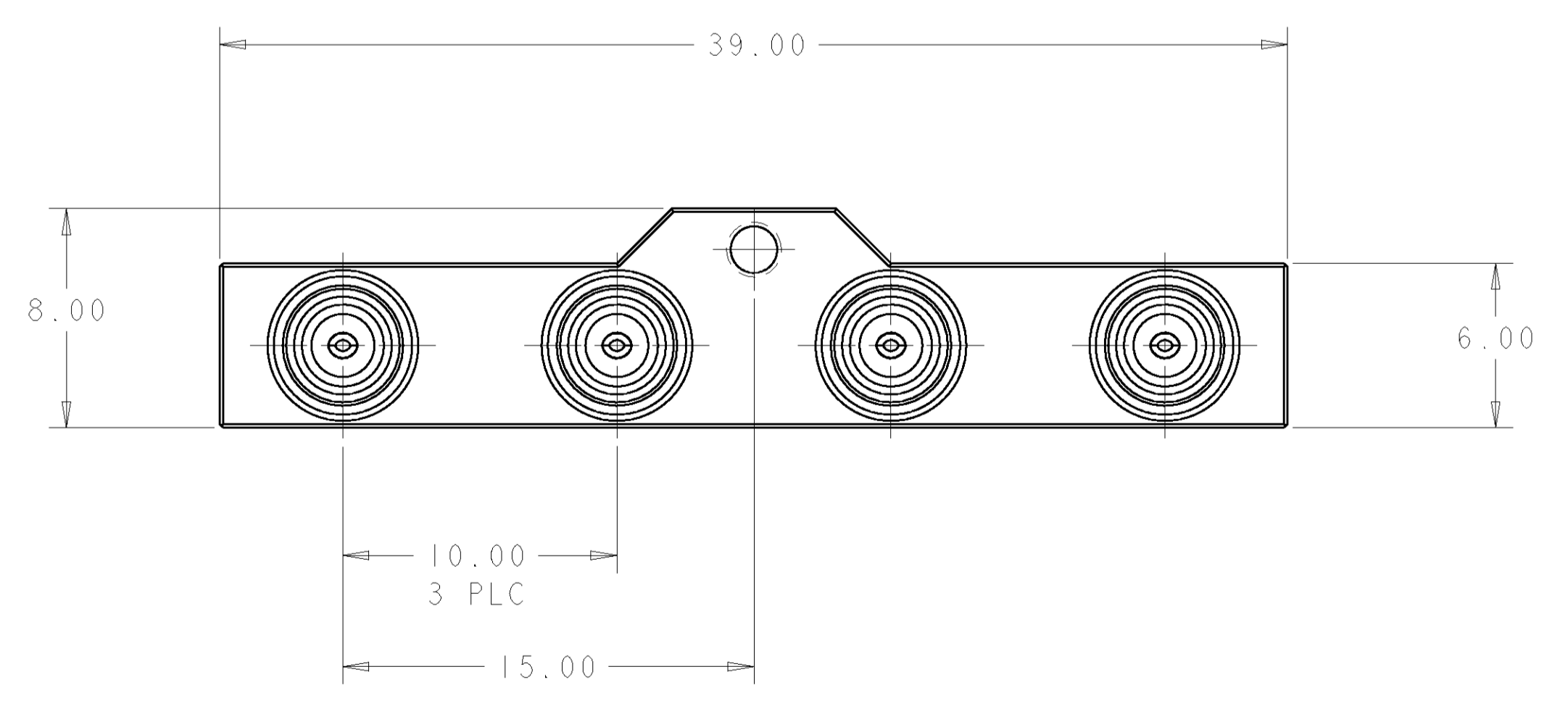
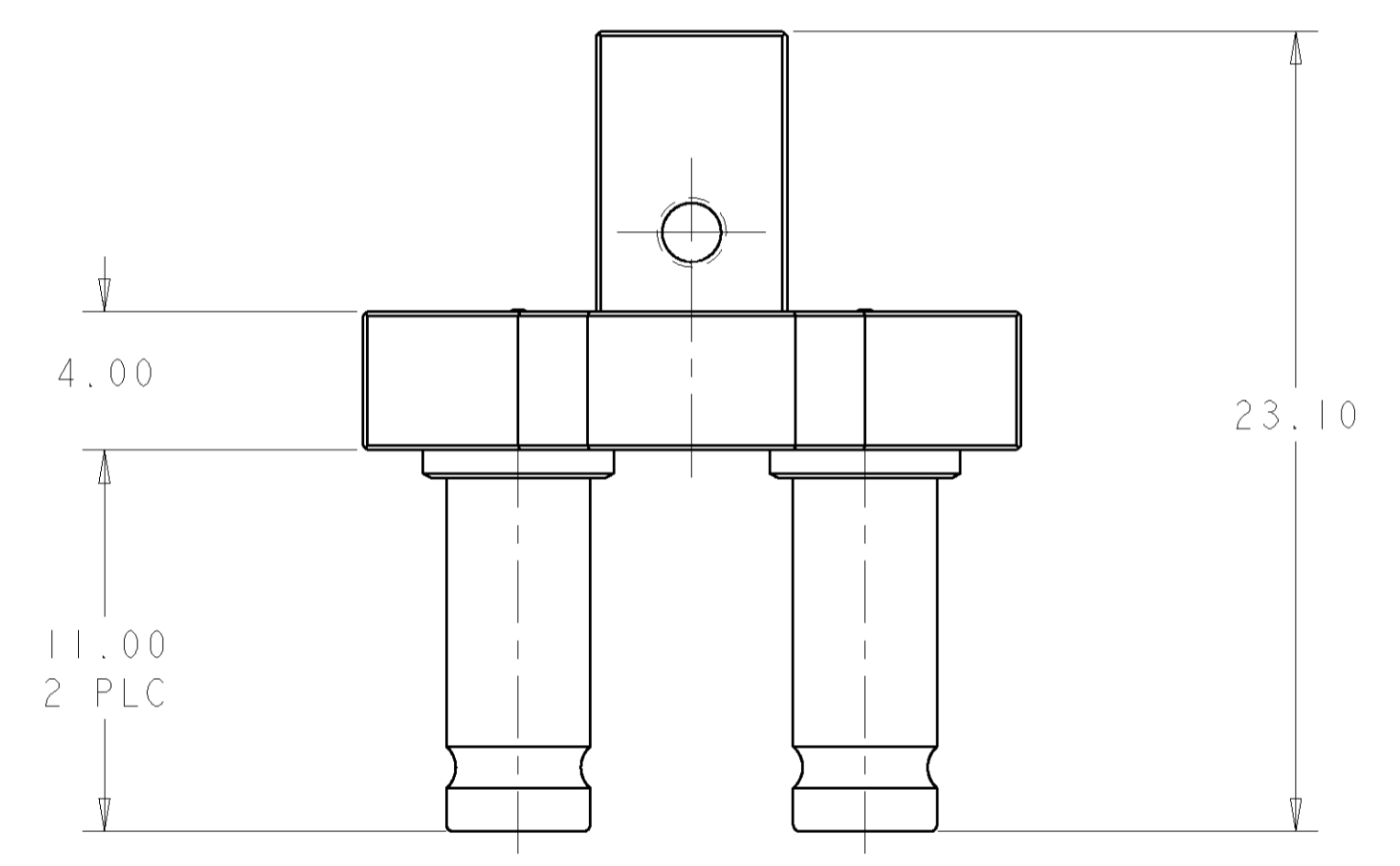
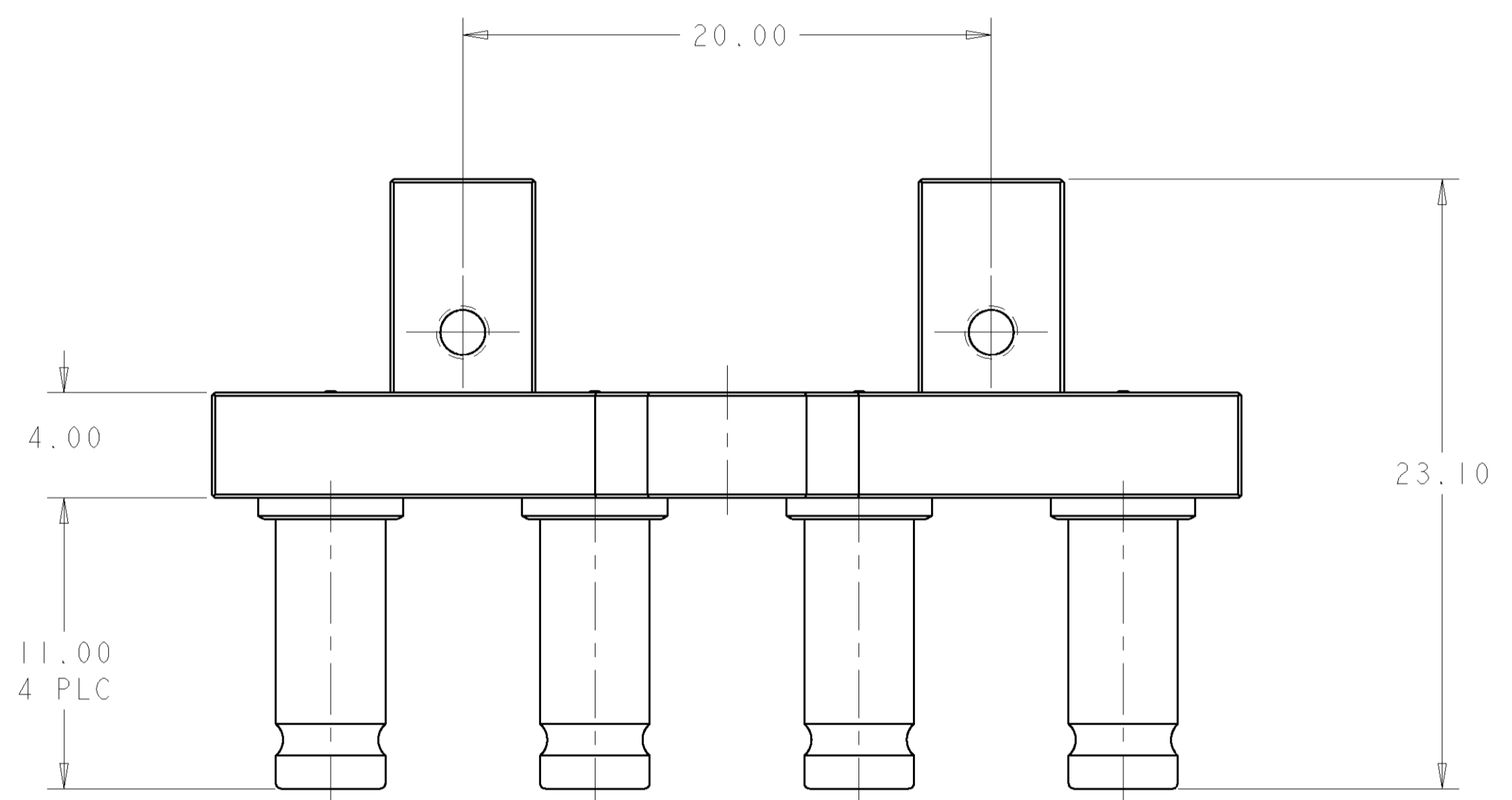
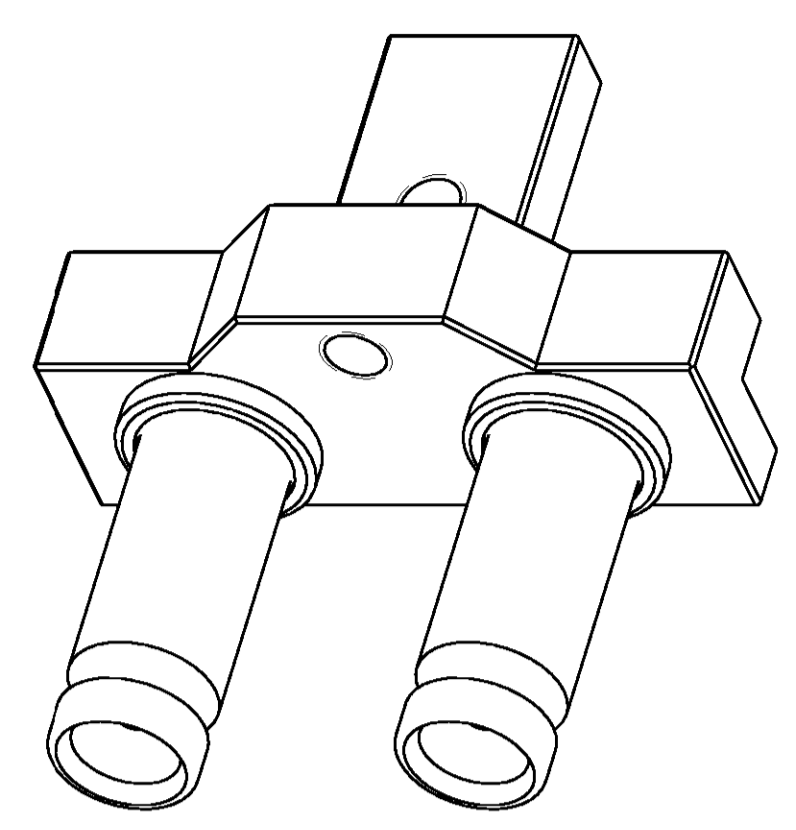
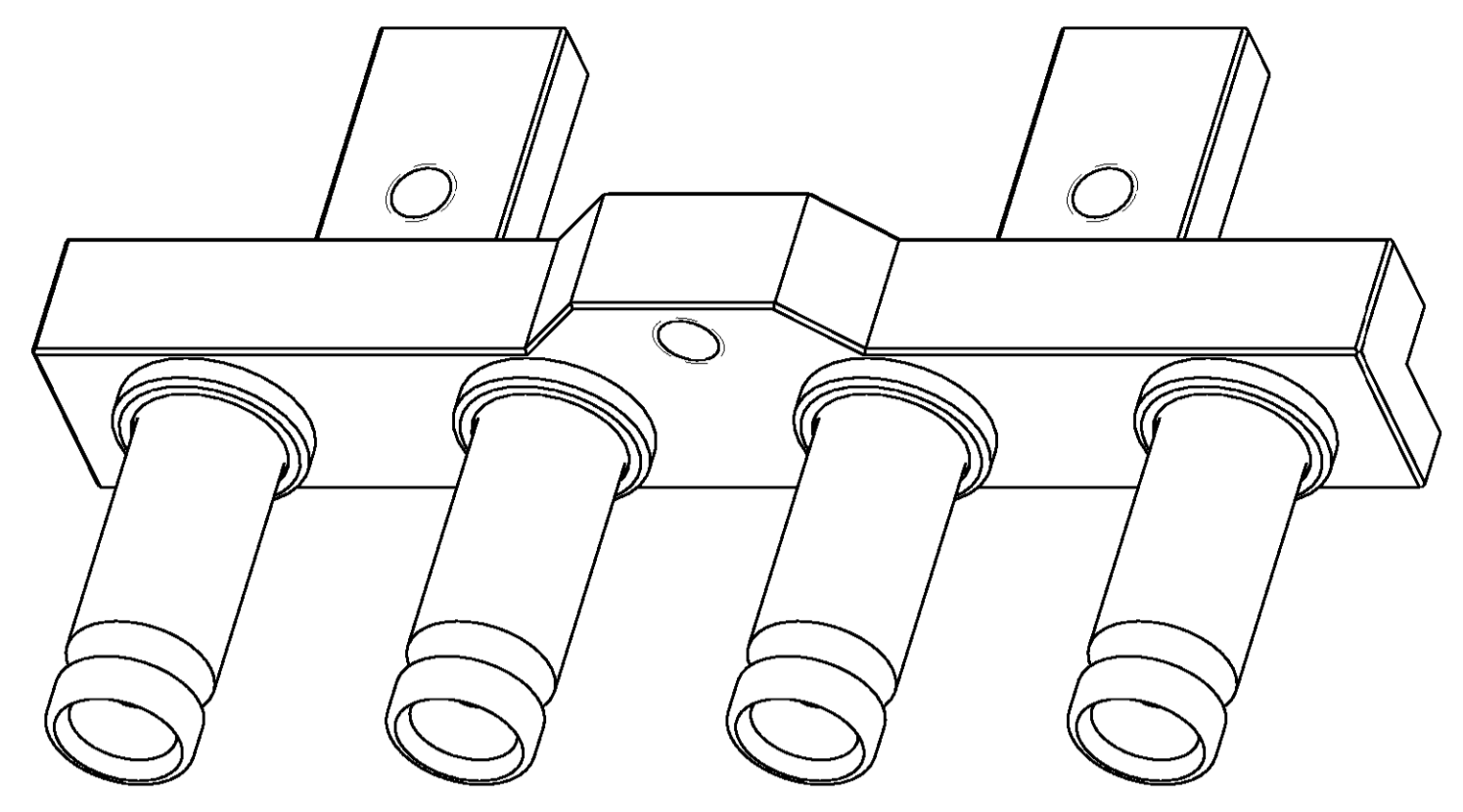
DIMENSIONS:		TOLERANCES UNLESS OTHERWISE SPECIFIED:		DWN: DK_SCHRUM 11JAN2006		Tyco Electronics	
mm		0 PLC ±		CHK: K.WEIDNER 11JAN2006		Harrisburg, PA 17105-3608	
⌀		1 PLC ±0.26		APVD: K.WEIDNER 11JAN2006		NAME: ASSEMBLY, JACK,	
⌀		2 PLC ±0.13		PRODUCT SPEC: 108-71032		3 POSITION, DIN 1.0/2.3,	
⌀		3 PLC ±0.013		APPLICATION SPEC:		75 Ohm	
⌀		4 PLC ±		MATERIAL:		SIZE: CAGE CODE: DRAWING NO: RESTRICTED TO	
⌀		5 PLC ±		FINISH:		A 00779 C = 1274714	
⌀		6 PLC ±		WEIGHT:		SCALE: 5:1 SHEET 1 OF 3 REV A	
⌀		7 PLC ±		CUSTOMER DRAWING			

LOC	DIST	REVISIONS			
P	LTR	DESCRIPTION	DATE	DRN	APVD
-	-	SEE SHEET 1	-	-	-



DIMENSIONS:		TOLERANCES UNLESS OTHERWISE SPECIFIED:		APVD		NAME	
mm	0 PL	±		DK SCHRUM	11 JAN 2006	tyco Electronics	
	1 PL	±0.26		DK SCHRUM	11 JAN 2006	Tyco Electronics Harrisburg, PA 17105-3608	
	2 PL	±0.13		K WEIDNER	11 JAN 2006	ASSEMBLY, JACK,	
	3 PL	±0.013		K WEIDNER	11 JAN 2006	3 POSITION, DIN 1.0/2.3,	
	4 PL	±				75 Ohm	
	ANGLES	±				SIZE	CAGE CODE
	FINISH	±				A100779	C=1274714
MATERIAL				WEIGHT		SCALE	4:1
				CUSTOMER DRAWING		SHEET	2 OF 3
						REV	A

LOC	DIST	REVISIONS			
P	LTR	DESCRIPTION	DATE	DNW	APVD
AJ	16	SEE SHEET 1	-	-	-



1274714-1
(PRELIMINARY)

1274714-3
(PRELIMINARY)

PARTS ON THIS SHEET ARE
PRELIMINARY
 NOT RELEASED FOR PRODUCTION

<small>THE INFORMATION CONTAINED HEREON IS UNCLASSIFIED EXCEPT WHERE SHOWN OTHERWISE. IT IS THE PROPERTY OF TYCO ELECTRONICS CORPORATION AND IS TO BE CONTAINED AND CONTROLLED BY THE USER. IT IS TO BE KEPT CONFIDENTIAL AND NOT TO BE DISCLOSED TO THE PUBLIC OR TO ANY OTHER ORGANIZATION WITHOUT THE WRITTEN PERMISSION OF TYCO ELECTRONICS CORPORATION.</small>		DWN: DK SCHRUM 11JAN2006 ENR: K WEIDNER 11JAN2006 APVD: K WEIDNER 11JAN2006	tyco Electronics Tyco Electronics Harrisburg, PA 17105-3608
DIMENSIONS: mm 	TOLERANCES UNLESS OTHERWISE SPECIFIED: 0 PLC ± 1 PLC ±0.26 2 PLC ±0.13 3 PLC ±0.13 4 PLC ± ANGLES ± FINISH ±	NAME: ASSEMBLY, JACK, 3 POSITION, DIN 1.0/2.3, 75 Ohm PRODUCT SPEC: 108-71032 APPLICATION SPEC:	SIZE: CAGE CODE DRAWING NO: A100779C-1274714 RESTRICTED TO:
MATERIAL: -	WEIGHT: -	CUSTOMER DRAWING	SCALE: 5:1 SHEET 3 OF 3 REV A

单击下面可查看定价，库存，交付和生命周期等信息

[>>TE Connectivity\(泰科\)](#)