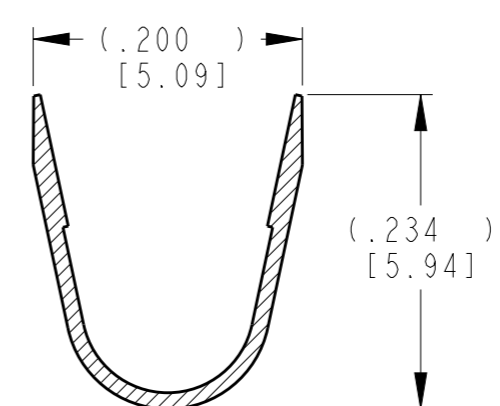
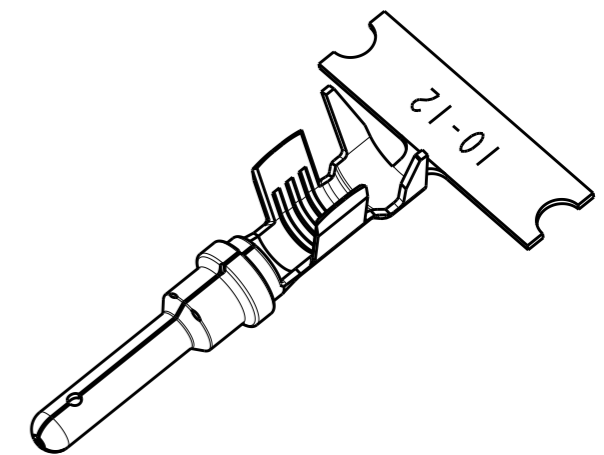
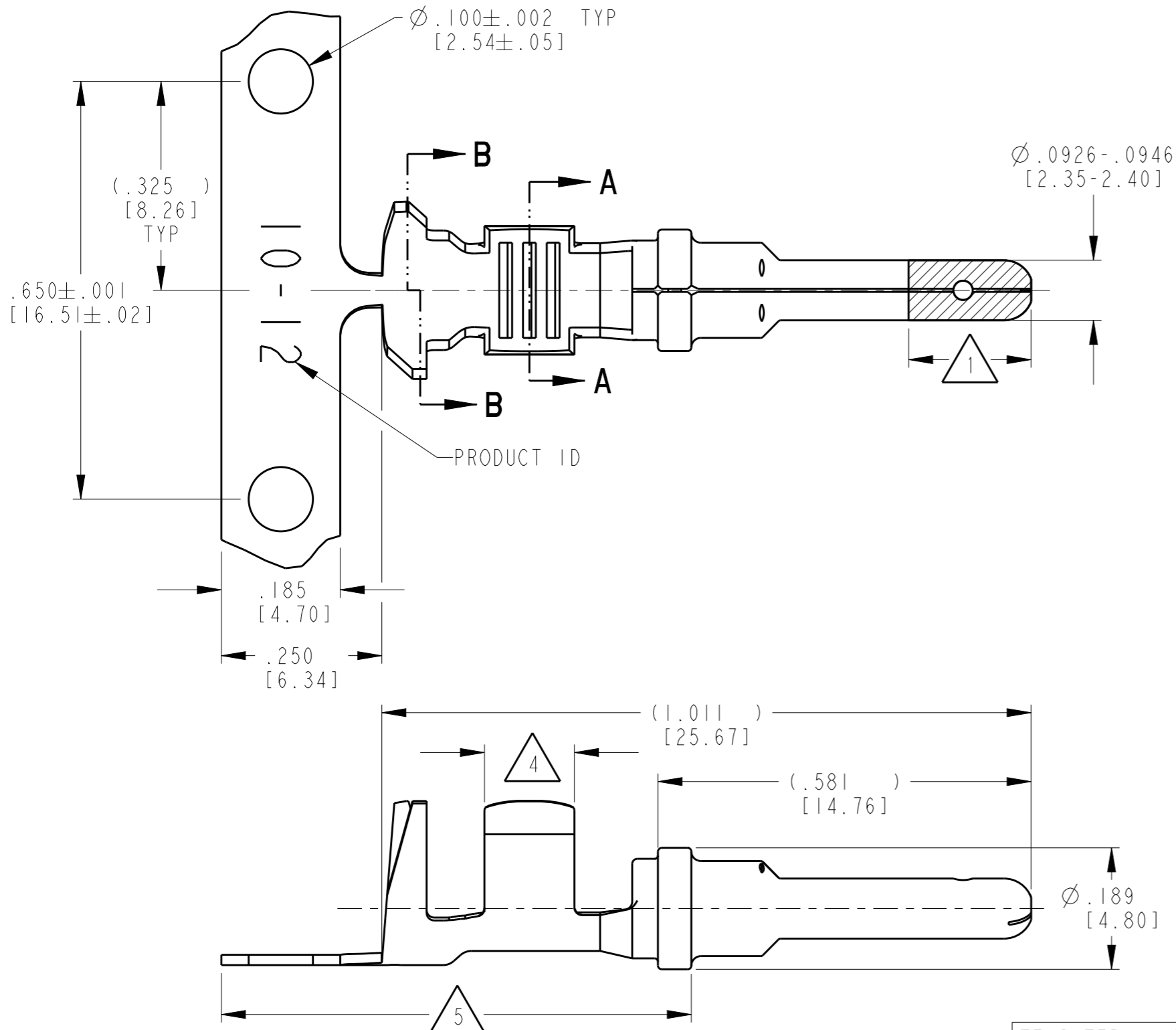
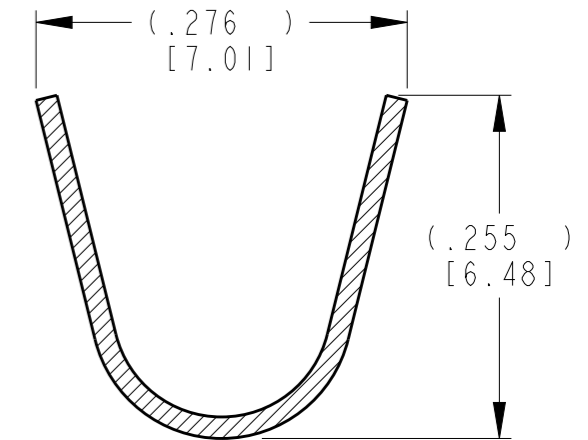


P	LTR	DESCRIPTION	DATE	DWN	APVD
	D	REVISED PER EO PI9555	7-11-07		RDR
	E	REVISED PER PCN E-20-009639	10JUL2020	DM	IG



SECTION A-A  
CONDUCTOR WINGS



SECTION B-B  
INSULATION WINGS

- 5 TIN PLATING MAY BE IN THIS REGION.
- 4 TIN PLATED REGION.
- 3 MATERIAL: .016 [0.41] THICK COPPER ALLOY.
- 2. WIRE RANGE: 10 AWG [4.0-6.0mm<sup>2</sup>]  
INSULATION RANGE:  $\varnothing$ .140-.204 [3.56-5.18]
- 1 GOLD PLATED REGION.

NOTES: UNLESS OTHERWISE SPECIFIED

TE INTERNAL PN	DEUTSCH PN	PLATING
1060-12-0222	1060-12-0222	Ni/Cu overall
1060-12-0244	1060-12-0244	Selective Au, Ni/Cu overall, Sn/Ni/Cu Wire Barrel

THIS DRAWING IS A CONTROLLED DOCUMENT.		DWN D. MEYER 08MAR2001														
DIMENSIONS: INCH (mm)		CHK B. BYFORD 07NOV2007														
TOLERANCES UNLESS OTHERWISE SPECIFIED:		APVD R. REED 07NOV2007	NAME STAMPED CONTACT PIN SIZE 12													
<table border="1"> <tr><td>0 PLC</td><td>±</td></tr> <tr><td>1 PLC</td><td>±</td></tr> <tr><td>2 PLC</td><td>±</td></tr> <tr><td>3 PLC</td><td>±.025 [0.64]</td></tr> <tr><td>4 PLC</td><td>±</td></tr> <tr><td>ANGLES</td><td>±</td></tr> </table>		0 PLC	±	1 PLC	±	2 PLC	±	3 PLC	±.025 [0.64]	4 PLC	±	ANGLES	±	PRODUCT SPEC 108-151000	SIZE A3	
0 PLC	±															
1 PLC	±															
2 PLC	±															
3 PLC	±.025 [0.64]															
4 PLC	±															
ANGLES	±															
MATERIAL 3		APPLICATION SPEC 114-151006	CAGE CODE 4AFU8	DRAWING NO 1060-12-02XXX												
FINISH SEE TABLE		WEIGHT .83 g	RESTRICTED TO -	SCALE 5:1												
		CUSTOMER DRAWING	SHEET 1 OF 1	REV E												

单击下面可查看定价，库存，交付和生命周期等信息

[>>TE Connectivity\(泰科\)](#)