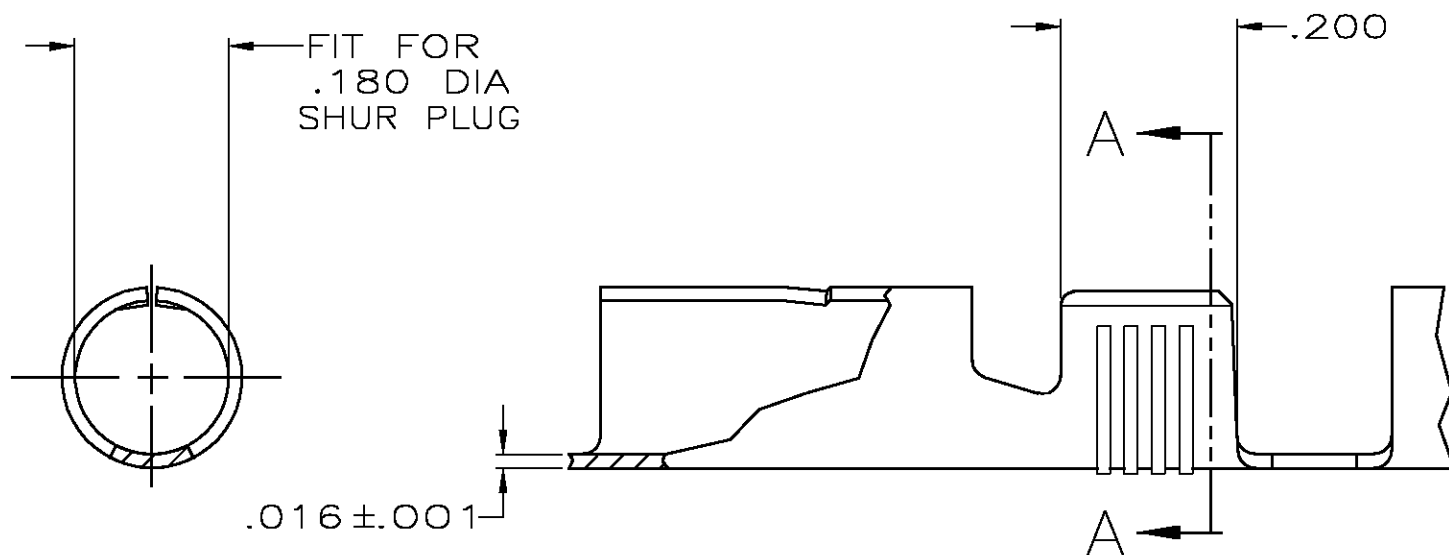
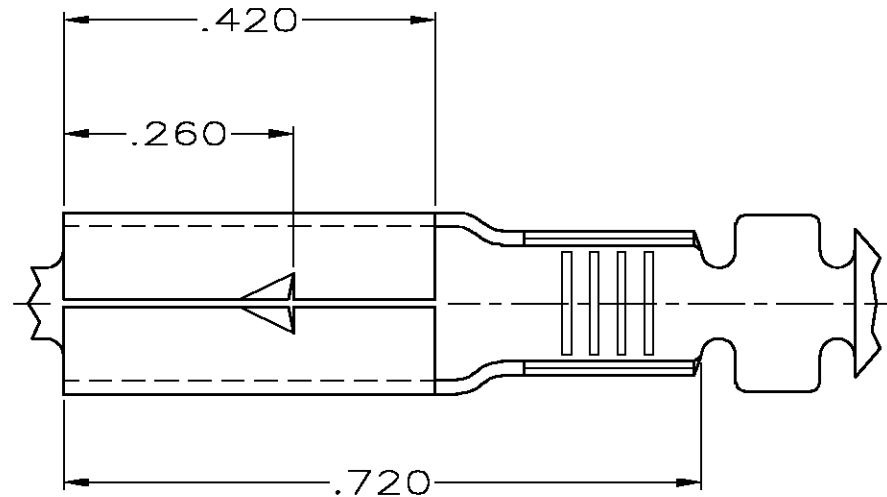
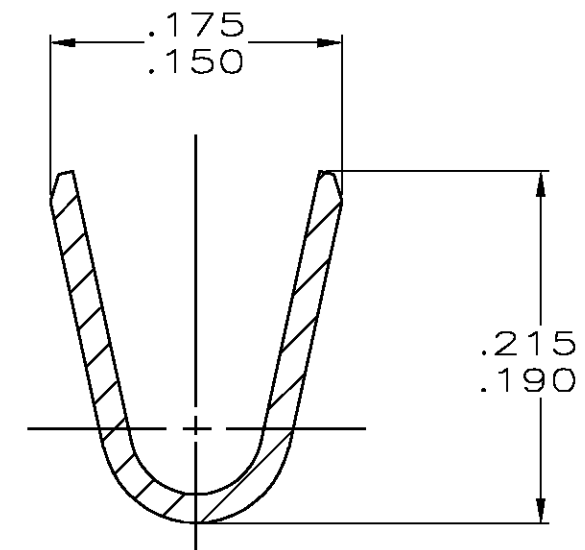


THIS DRAWING IS UNPUBLISHED. RELEASED FOR PUBLICATION, 19 .  
 © COPYRIGHT 19 BY AMP INCORPORATED. ALL RIGHTS RESERVED.

LOC	DIST	REVISIONS			
P	LTR	DESCRIPTION	DATE	DWN	APVD
AF	50	K	REV PER OG3A-0679-03	27OCT03	JR DD



- 1 CONTINUOUS STRIP ON REELS.
- △2 .000080 MIN TIN PLATE.
- △3 .000080 MIN TIN PLATE OVER .000050 MIN NICKEL UNDERPLATE.
- △4 .000150 MIN NICKEL PLATE
- △5 PRELIMINARY - NOT FOR PRODUCTION



SECTION A-A  
SCALE 10:1

△4	14-10 AWG	△5	42868-4
△3	14-10 AWG		42868-3
△2	14-10 AWG		42868-2
-	14-10 AWG		42868-1
FINISH		WIRE RANGE	
		PART NUMBER	

DIMENSIONS: INCHES		TOLERANCES UNLESS OTHERWISE SPECIFIED:	
		0 PLC	±-
		1 PLC	±-
		2 PLC	±-
		3 PLC	±.010
		4 PLC ANGLES	±-
MATERIAL 4M BRASS		FINISH SEE TABLE	

DWN MICHAEL S. FEHER 12JUL2001	AMP Incorporated Harrisburg, PA 17105-3608		
CHK DONALD DECKER 12JUL2001	NAME RECEPTACLE, SHUR PLUG, .180 DIA		
APVD DONALD DECKER 12JUL2001	SIZE A3	CAGE CODE 00779	DRAWING NO 42868
PRODUCT SPEC -	RESTRICTED TO -		
APPLICATION SPEC 114-2017	SCALE 5:1 SHEET 1 OF 1 REV K		
WEIGHT -	CUSTOMER DRAWING		

单击下面可查看定价，库存，交付和生命周期等信息

[>>TE Connectivity\(泰科\)](#)