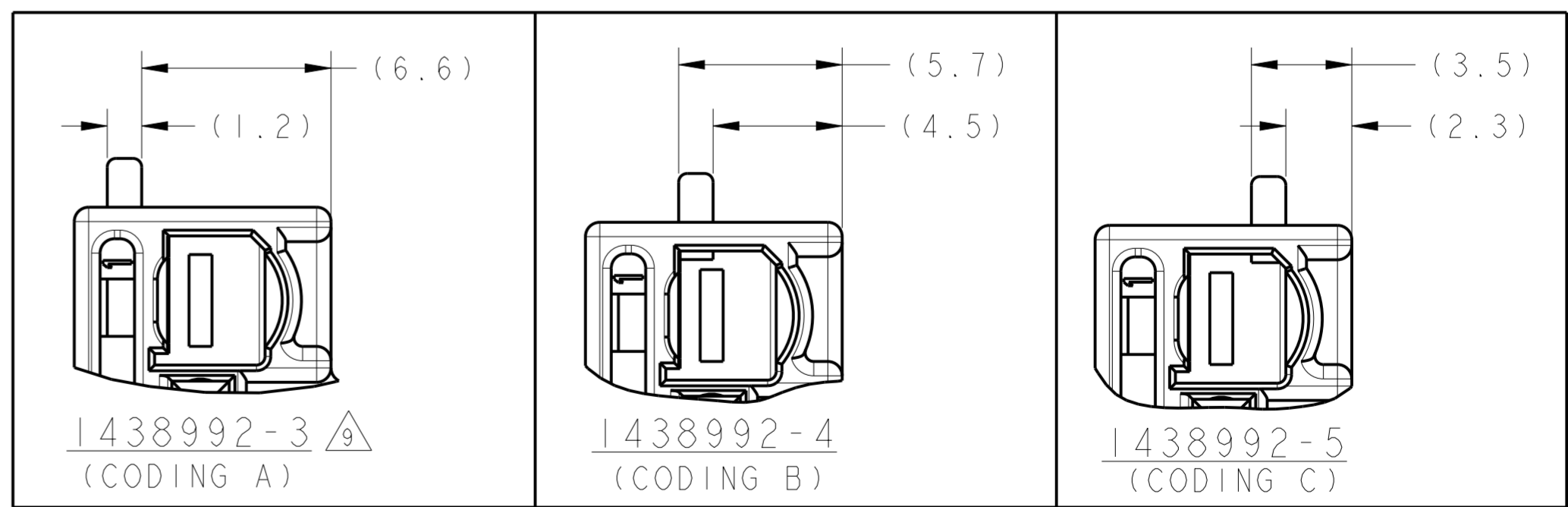
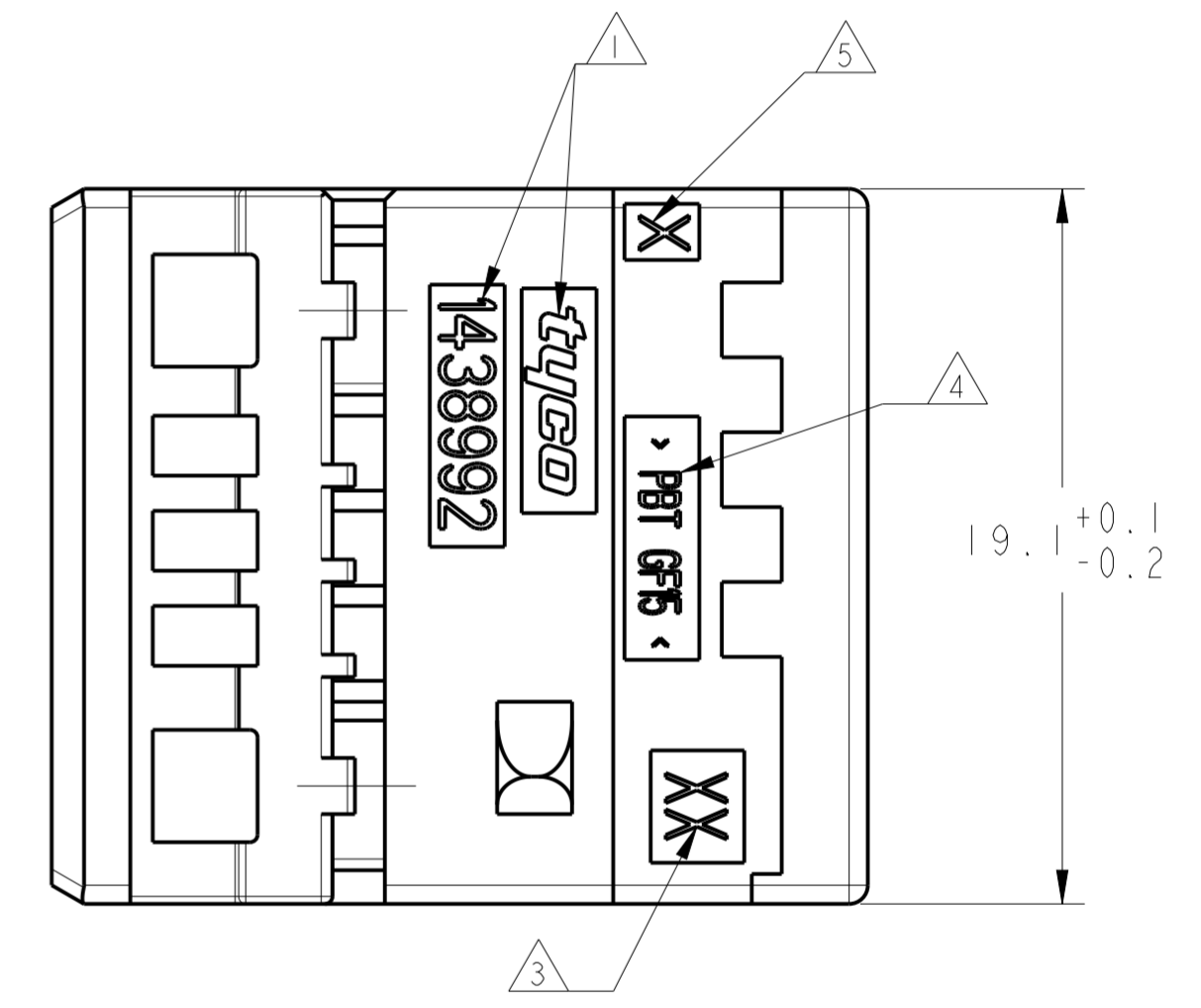
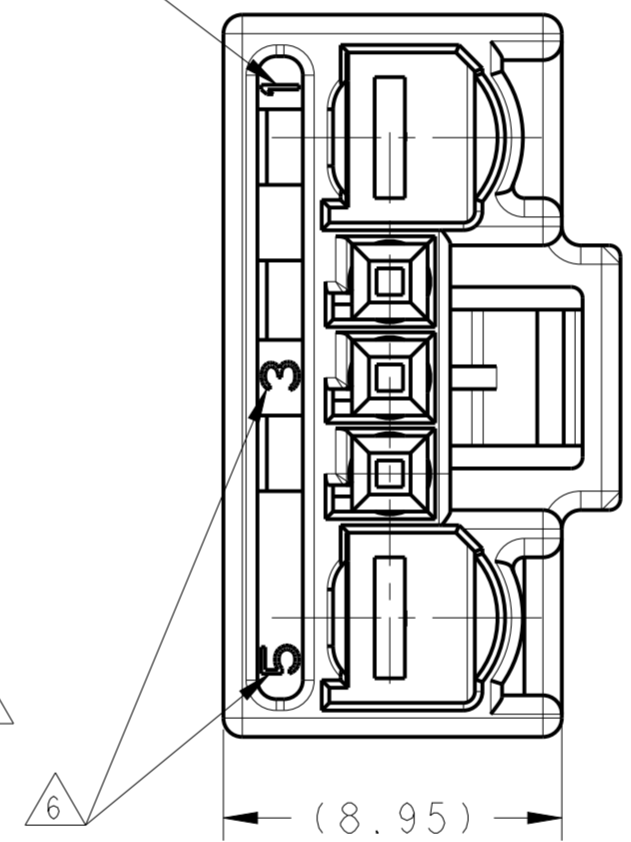
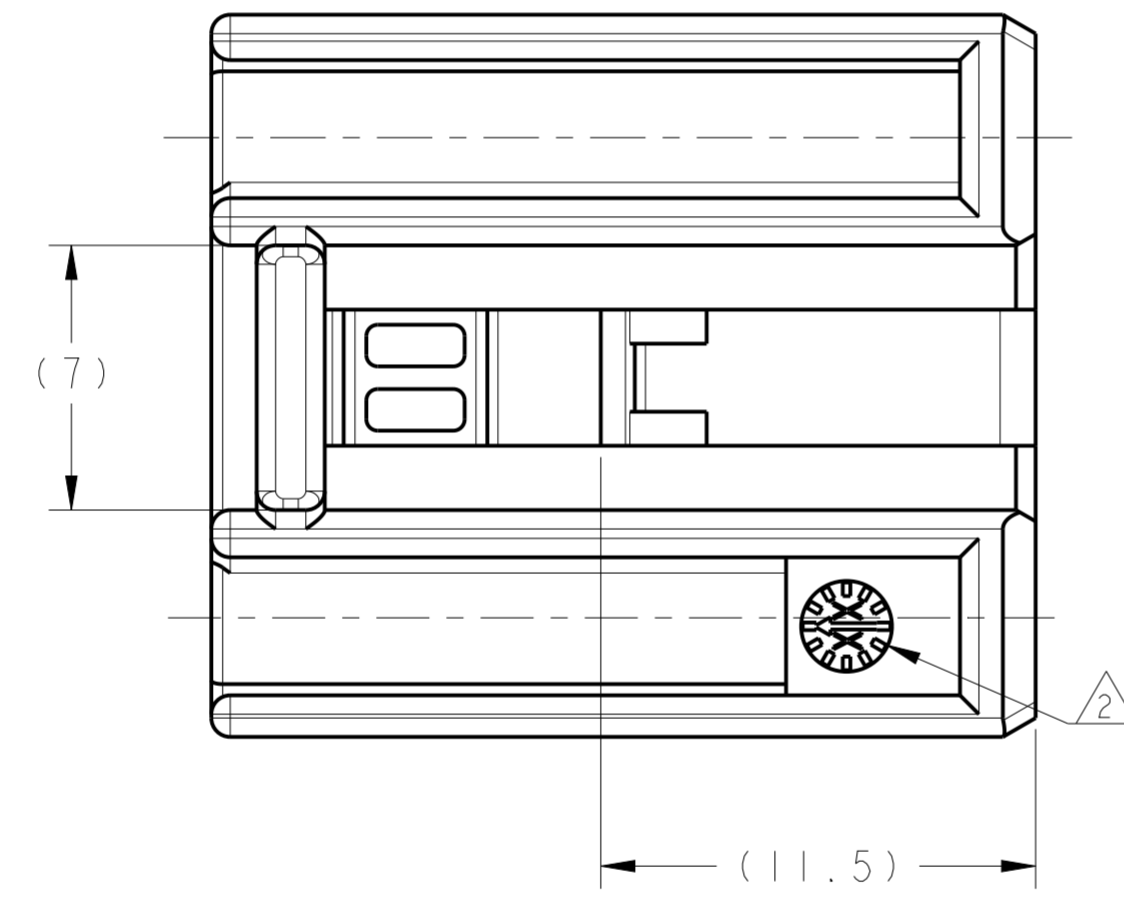
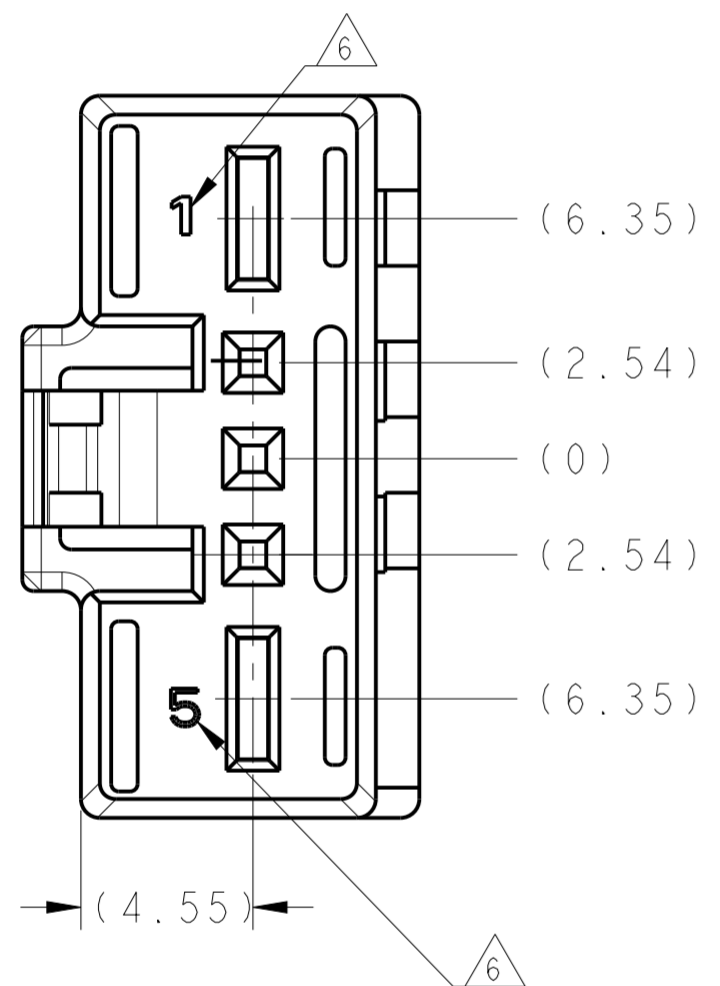
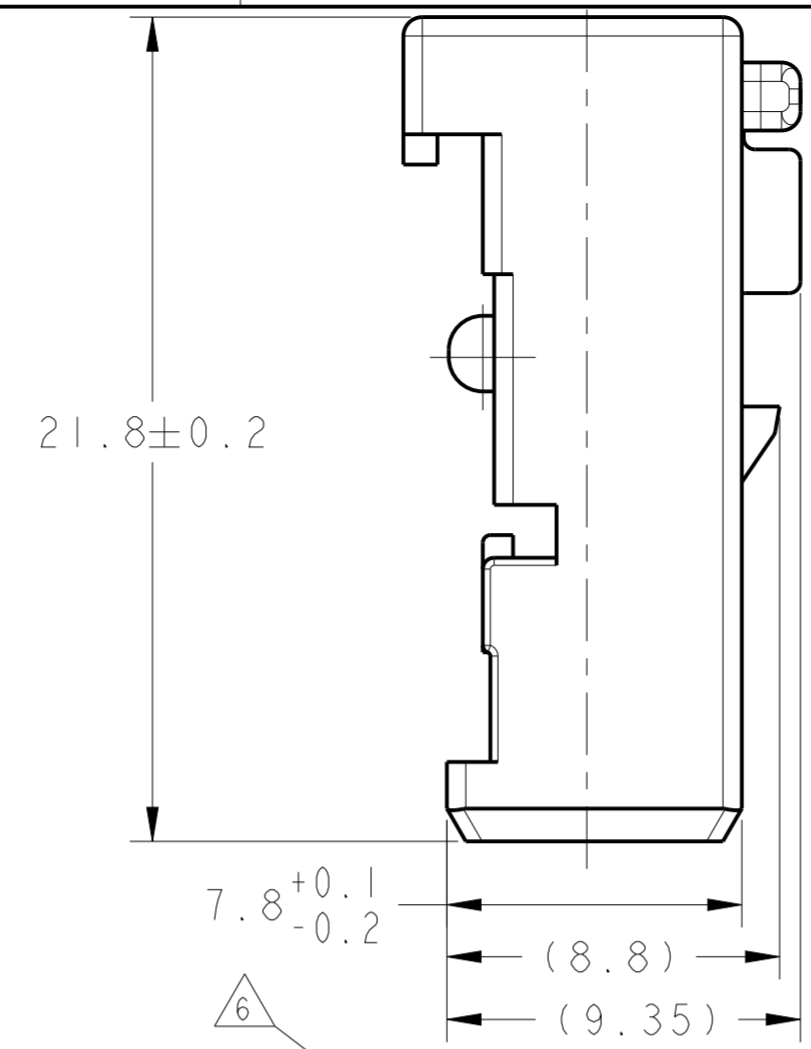


THIS DRAWING IS UNPUBLISHED. RELEASED FOR PUBLICATION 20
 © COPYRIGHT 20 BY - ALL RIGHTS RESERVED.

REVISIONS					
P	LTR	DESCRIPTION	DATE	DWN	APVD
A		REV PER ECR-07-004077, RELEASE -4,-5	22FEB2007	ML	JS
AI		REVISED PER ECO-14-005501	10APR2014	DD	JS

- NOTE(S):
- ① COMPANY LOGO & TE P/N 1438992
 - ② DATE CODE
 - ③ REVISION STATUS OF THE MOLD.
 - ④ MATERIAL IDENTIFICATION
 - ⑤ CAVITY NUMBER
 - ⑥ CIRCUIT IDENTIFICATION
 - 7. FOR THE CONNECTOR INTERFACE, SEE DRAWING 208-15621.
 - 8. CODING Z SHOWN
 - ⑨ PRELIMINARY, NOT RELEASED FOR PRODUCTION.
 - 10. COVER P/N 1379218-2 REQUIRED TO BE USED WITH THIS PART.



C	1438992-5	BLUE	
B	1438992-4	WHITE	
A	1438992-3	BLACK	⑨
NEUTRAL (Z)	1438992-2	WHITE	⑨
	1438992-1	BLACK	
KEY	TE P/N (REF. TE)	COLOR	

THIS DRAWING IS A CONTROLLED DOCUMENT.

DIMENSIONS: mm	TOLERANCES UNLESS OTHERWISE SPECIFIED: 0 PLC ± 1 PLC ± 2 PLC ± 3 PLC ± 4 PLC ± ANGLES ± FINISH -	DWN M. HITCHCOCK 21FEB2005	TE Connectivity
		CHK B. BUCHTER 21FEB2005	
MATERIAL PBT-GF10	PRODUCT SPEC 108-15315	APVD R. ADAMS 21FEB2005	NAME 5-WAY (MOS 3W + MPQ 2W) SOCKET HOUSING
		APVD R. ADAMS 21FEB2005	SIZE CAGE CODE DRAWING NO RESTRICTED TO A200779 C-1438992 -
CUSTOMER DRAWING		WEIGHT 1.80g	SCALE 5:1 SHEET OF REV AI

单击下面可查看定价，库存，交付和生命周期等信息

[>>TE Connectivity\(泰科\)](#)