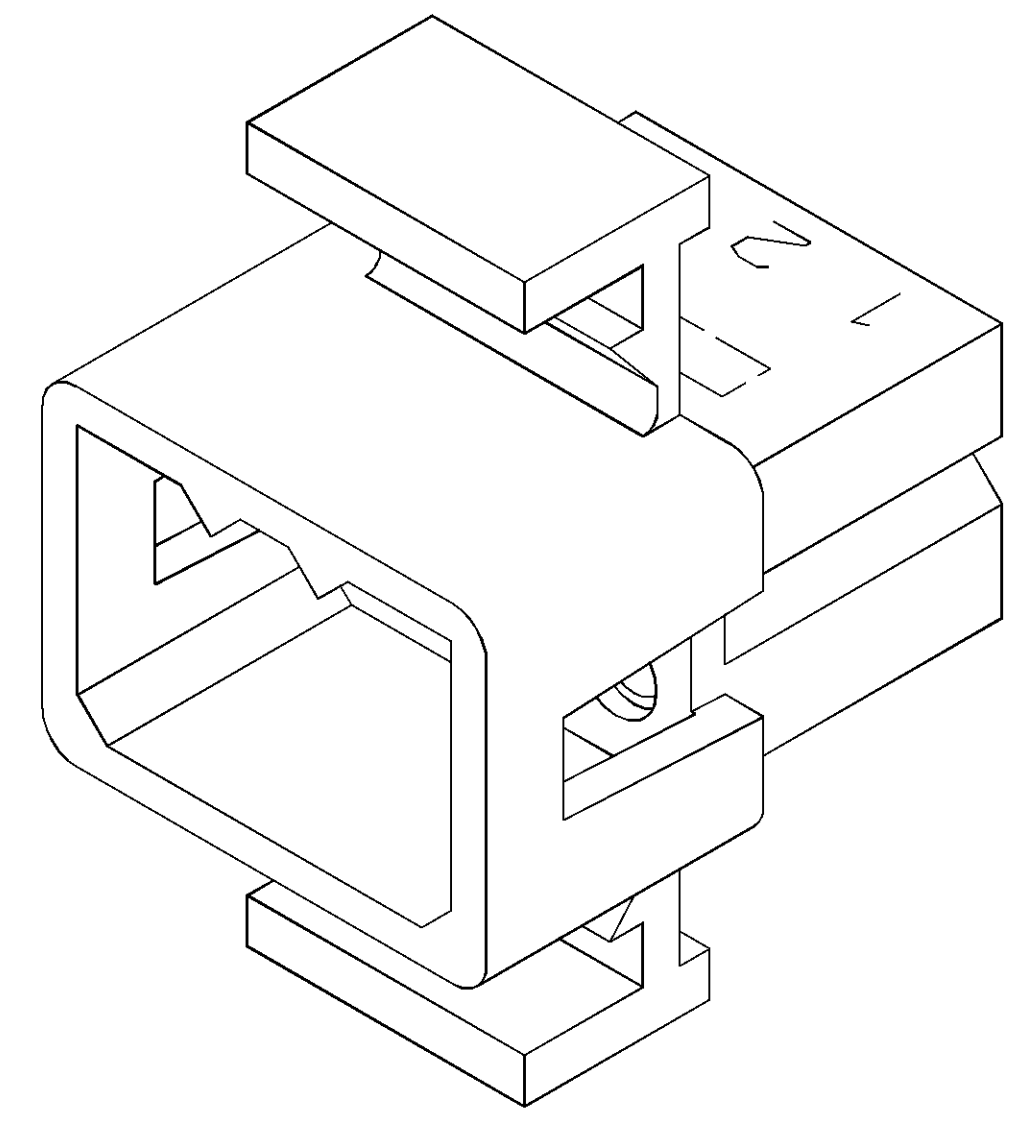


RECOMMENDED CUT OUT FOR 1.52 MAX THICK PANEL



3-DIMENSIONAL MODEL NTS

8.89	.350	24.51	.965
3.68	.145	19.05	.750
1.58	.062	15.62	.615
1.52	.060	15.42	.607
0.51	.020	15.24	.600
0.25	.010	12.70	.500
0.13	.005	11.30	.445
MM	IN	MM	IN

CONVERSION TABLE



770353-1  
PART NUMBER

THIS DRAWING IS A CONTROLLED DOCUMENT.		DWN K. WHITAKER	10-02-96	<b>AMP</b> AMP Incorporated Harrisburg, PA 17105-3608
DIMENSIONS:		CHK R. SWING	10-02-96	
TOLERANCES UNLESS OTHERWISE SPECIFIED:		APVD C. CASH	10-09-96	NAME PLUG, PANEL MOUNT, 6 CIRCUIT, .062 PIN AND SOCKET
0 PLC ±.010		PRODUCT SPEC		SIZE A1
1 PLC ±.010		APPLICATION SPEC		CASE CODE 00779
2 PLC ±.013				DRAWING NO 770353
3 PLC ±.010				SCALE 5:1
4 PLC ±.010				SHEET 1 of 1
ANGLES ±.010				REV C
FINISH -		WEIGHT -		CUSTOMER DRAWING
MATERIAL NYLON, UL 94V-2, NATURAL				

单击下面可查看定价，库存，交付和生命周期等信息

[>>TE Connectivity\(泰科\)](#)