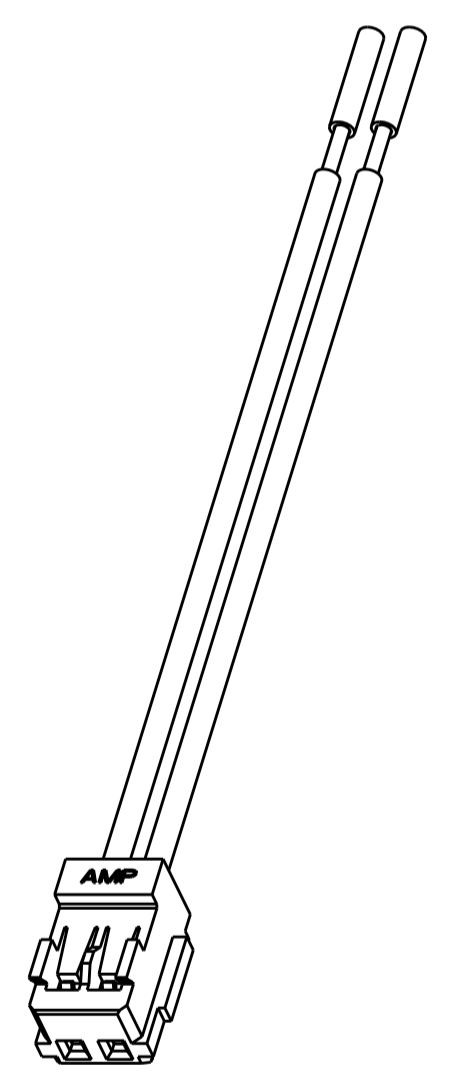
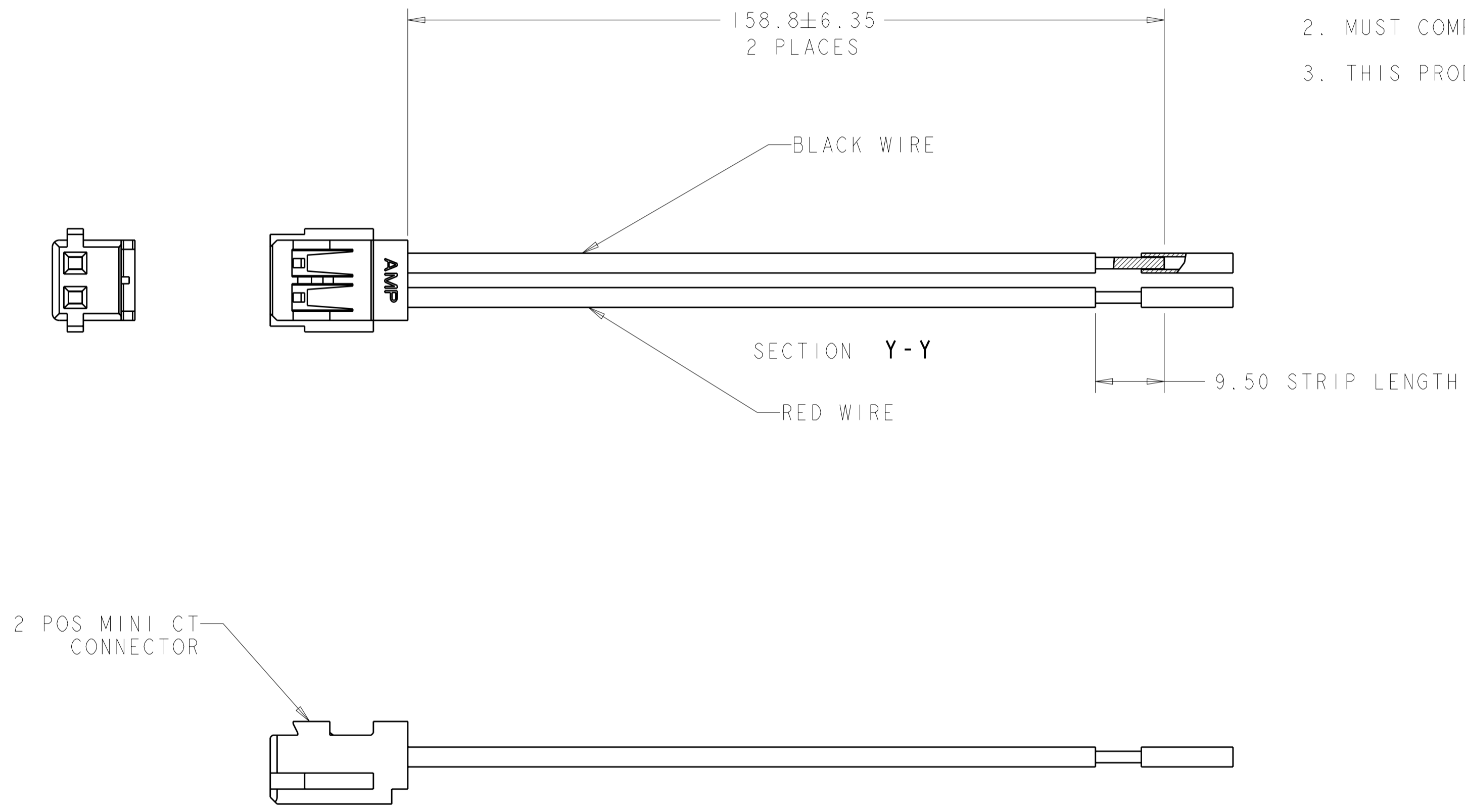


THIS DRAWING IS UNPUBLISHED. RELEASED FOR PUBLICATION 20  
 © COPYRIGHT 20 BY TYCO ELECTRONICS CORPORATION. ALL RIGHTS RESERVED.

LOC		DIST		REVISIONS			
P	LTR	DESCRIPTION	DATE	DWN	APVD		
	1	PRELIMINARY	19AUG2008	SF	DF		
	2	REVERSE WIRES	22AUG2008	SF	DF		
	3	INCREASE LENGTH TO 6"	26AUG2008	SF	DF		
	4	INCREASE LENGTH	15OCT2008	SF	DF		

NOTES:

- △ MATERIALS AND FINISH:
  - HOUSING: NYLON, COLOR: BLACK
  - CONTACTS: COPPER ALLOY, FINISH: PRE-TINNED
  - WIRE: 24 AWG, UL 1061 STYLE
- 2. MUST COMPLY WITH DIRECTIVE 2002/95/EC (ROHS)
- 3. THIS PRODUCT HAS NOT COMPLETED VALIDATION TESTING



SCALE 4:1

TYCO ELECTRONICS  
 CONFIDENTIAL  
 AND PROPRIETARY

PROPOSED DESIGN

NOT PRODUCTION TOOLED

DESIGN IS SUBJECT TO  
 CHANGE WITHOUT NOTICE

2058706-1  
 PART NO.

<small>THIS DRAWING IS A CONTROLLED DOCUMENT FOR TYCO ELECTRONICS CORPORATION                  IT IS SUBJECT TO CHANGE AND THE CONTROLLING ENGINEERING ORGANIZATION                  SHOULD BE CONTACTED FOR THE LATEST REVISION.</small>		DWN S. FISHER 15OCT2008	Tyco Electronics Harrisburg, PA 17105-3608	
DIMENSIONS: mm		CHK D. FLEMING 15OCT2008	NAME CABLE ASSEMBLY CT 2 POSITION	
TOLERANCES UNLESS OTHERWISE SPECIFIED: 0 PLC ± 1 PLC ± 2 PLC ± 3 PLC ± 4 PLC ± ANGLES ± FINISH		APVD -	PRODUCT SPEC -	RESTRICTED TO -
MATERIAL		APPLICATION SPEC 114-5245	SIZE A200779	DRAWING NO C-2058706
CUSTOMER DRAWING		WEIGHT -	SCALE 6:1	SHEET 1 OF 1 REV 4

单击下面可查看定价，库存，交付和生命周期等信息

[>>TE Connectivity\(泰科\)](#)