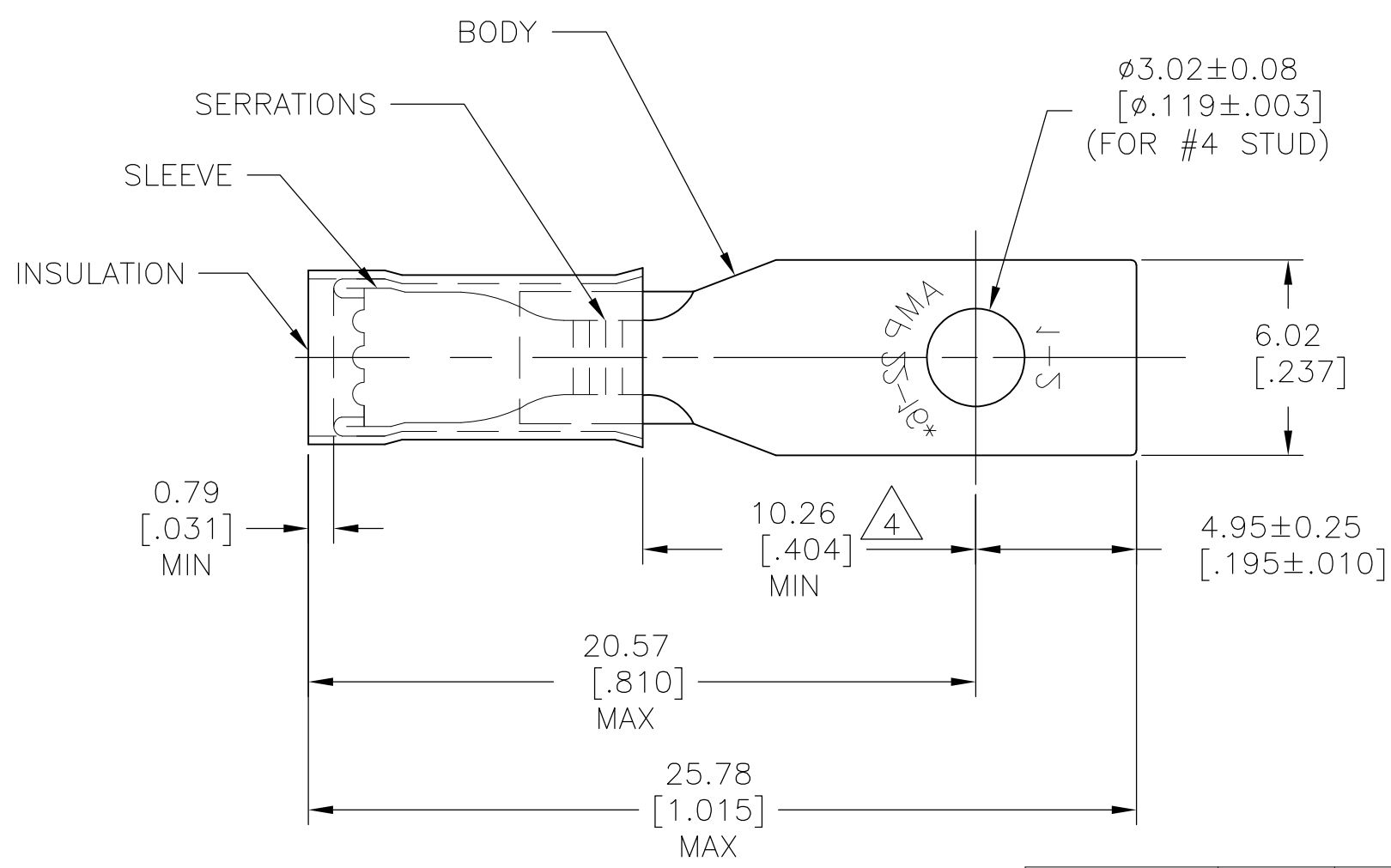


THIS DRAWING IS UNPUBLISHED. RELEASED FOR PUBLICATION
 © COPYRIGHT BY TYCO ELECTRONICS CORPORATION. ALL INTERNATIONAL RIGHTS RESERVED.

LOC	DIST	REVISIONS					
G	14	P	LTR	DESCRIPTION	DATE	DWN	APVD
			K2	REVISED PER ECR-09-026553	04DEC09	JR	TM



- 1 TONGUE MATERIAL THK = 0.79 ± 0.05 [.031 ± .002]
- 2 FOR 2.67 [.105] TO 3.56 [.140] WIRE INSULATION DIA
- 3 MARKING 22-18 FOR MILITARY COMMERCIAL RANGE 22-16
- △4 APPLIES FROM THE METAL EDGE OF THE BARREL TO THE CENTER OF THE STUD
- △5 MEETS MS17143-16, CLASS 1 & 2

OBSOLETE	1	2-327962-1 ON TAPE	BODY & SLEEVE: COPPER (ASTM-B152) TIN PL (ASTM-B545)	2-327962-3
OBSOLETE		WIRE TERMINAL	INSULATION: NYLON (ASTM-D4066) TYPE 1, COLOR: RED	2-327962-1
OBSOLETE	1	327962 ON TAPE	BODY: COPPER (ASTM-B152) TIN PL (ASTM-B545)	2-327962-2
		WIRE TERMINAL	SLEEVE: COPPER (ASTM-B152) INSULATION: NYLON COLOR: RED	△5 327962
	QTY	DESCRIPTION	MATERIAL & FINISH	PART NO

THIS DRAWING IS A CONTROLLED DOCUMENT.		DWN RAGHAVENDRA 01SEP09	Tyco Electronics Corporation Harrisburg, PA 17105-3608	
DIMENSIONS: mm [INCHES]		CHK JEFF RUTH 01SEP09	NAME WIRE TERMINAL PIDG - RECTANGULAR TONGUE WIRE SIZE: 22-16	
TOLERANCES UNLESS OTHERWISE SPECIFIED:		APVD TOM MICHIELUTTI 01SEP09	PRODUCT SPEC	
0 PLC ± - 1 PLC ± - 2 PLC ± - 3 PLC ± 0.20 [.008] 4 PLC ± - ANGLES ± 5°		APPLICATION SPEC	RESTRICTED TO	
MATERIAL SEE TABLE	FINISH SEE TABLE	WEIGHT -	SIZE A3	CAGE CODE 00779
CUSTOMER DRAWING		DRAWING NO G-327962	SCALE 5:1	SHEET 1 OF 1
		REV K2		

单击下面可查看定价，库存，交付和生命周期等信息

[>>TE Connectivity\(泰科\)](#)