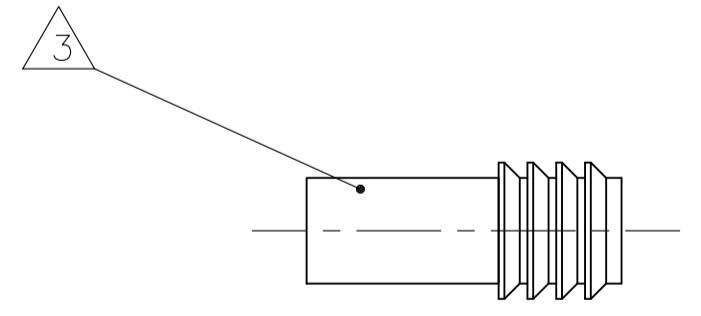
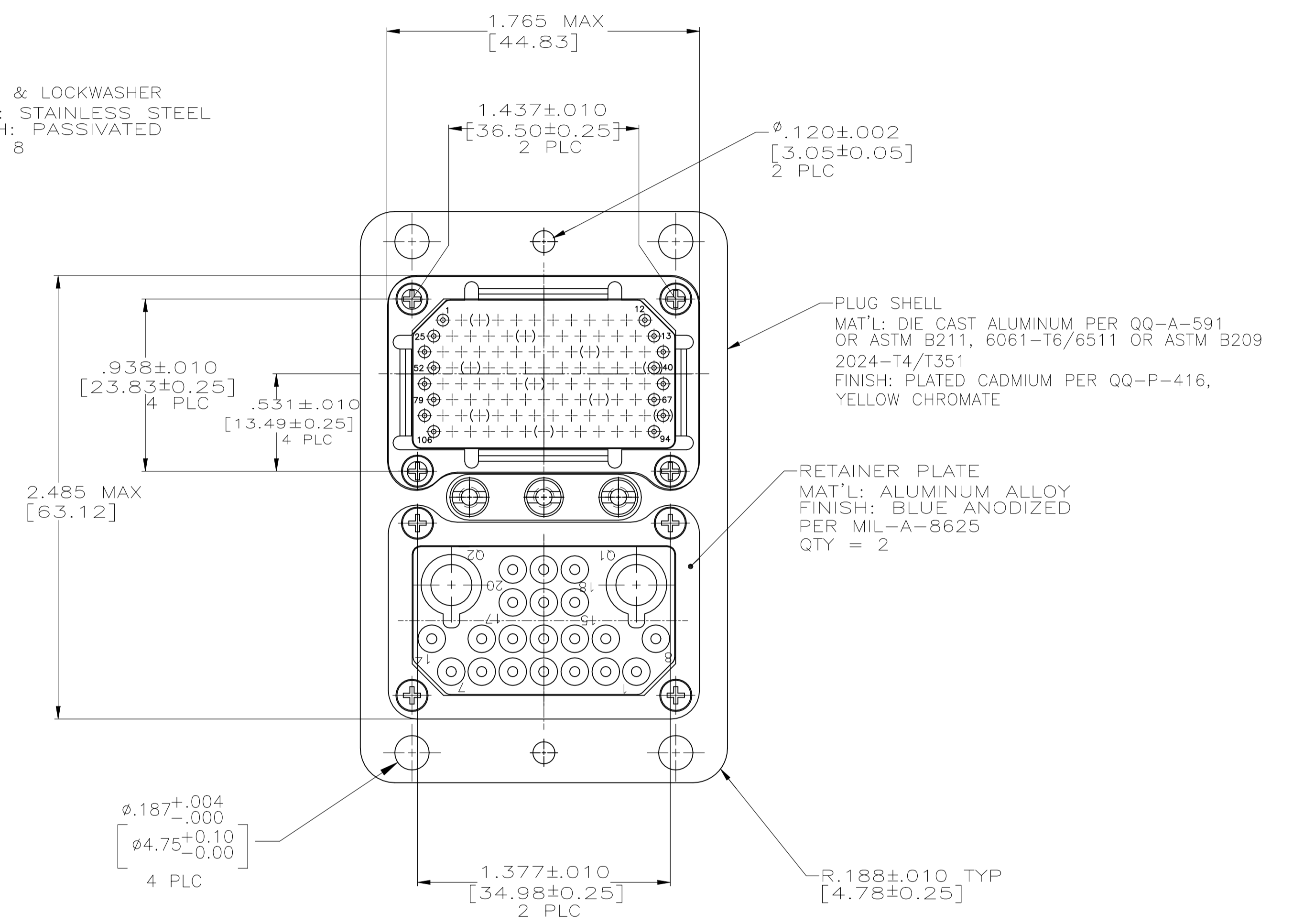
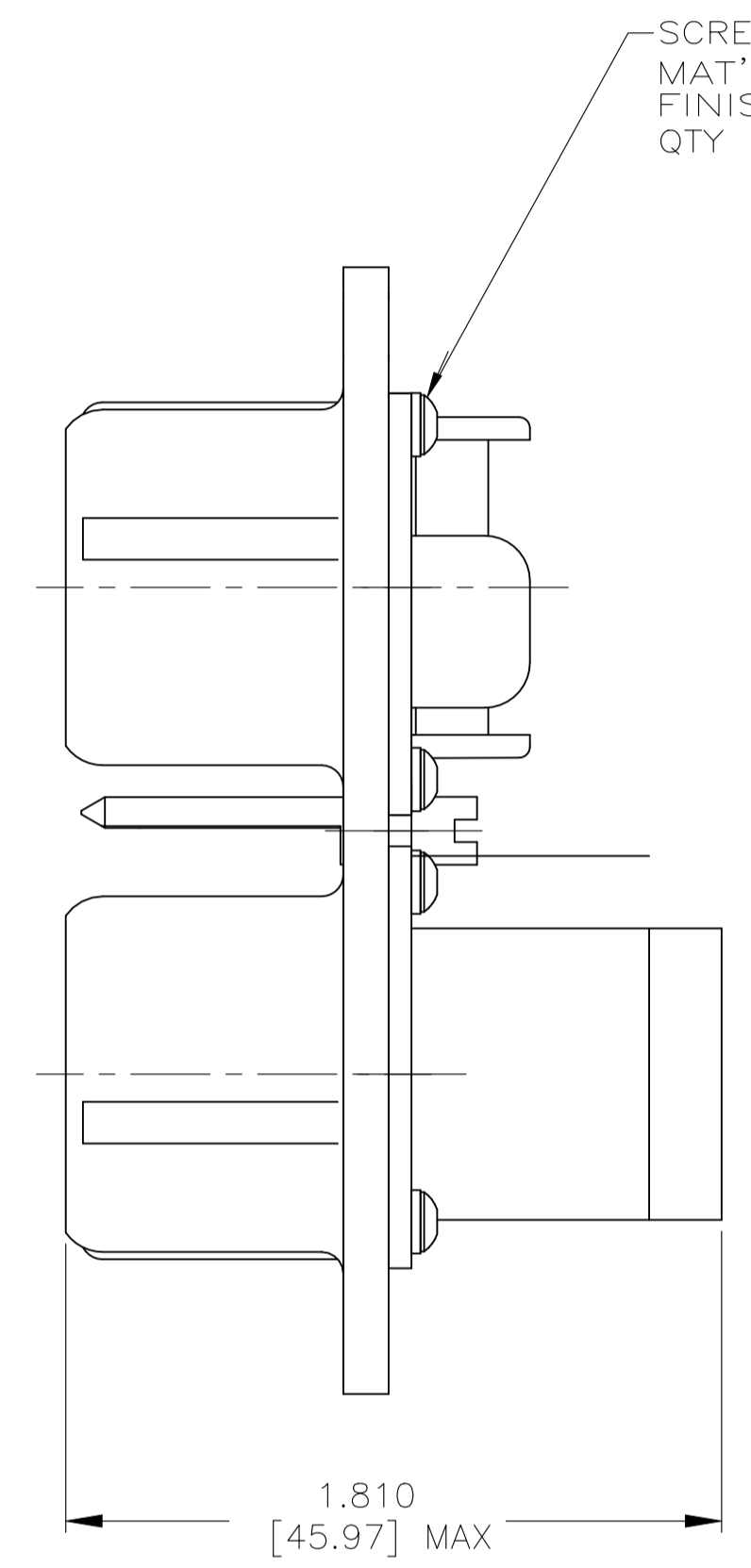
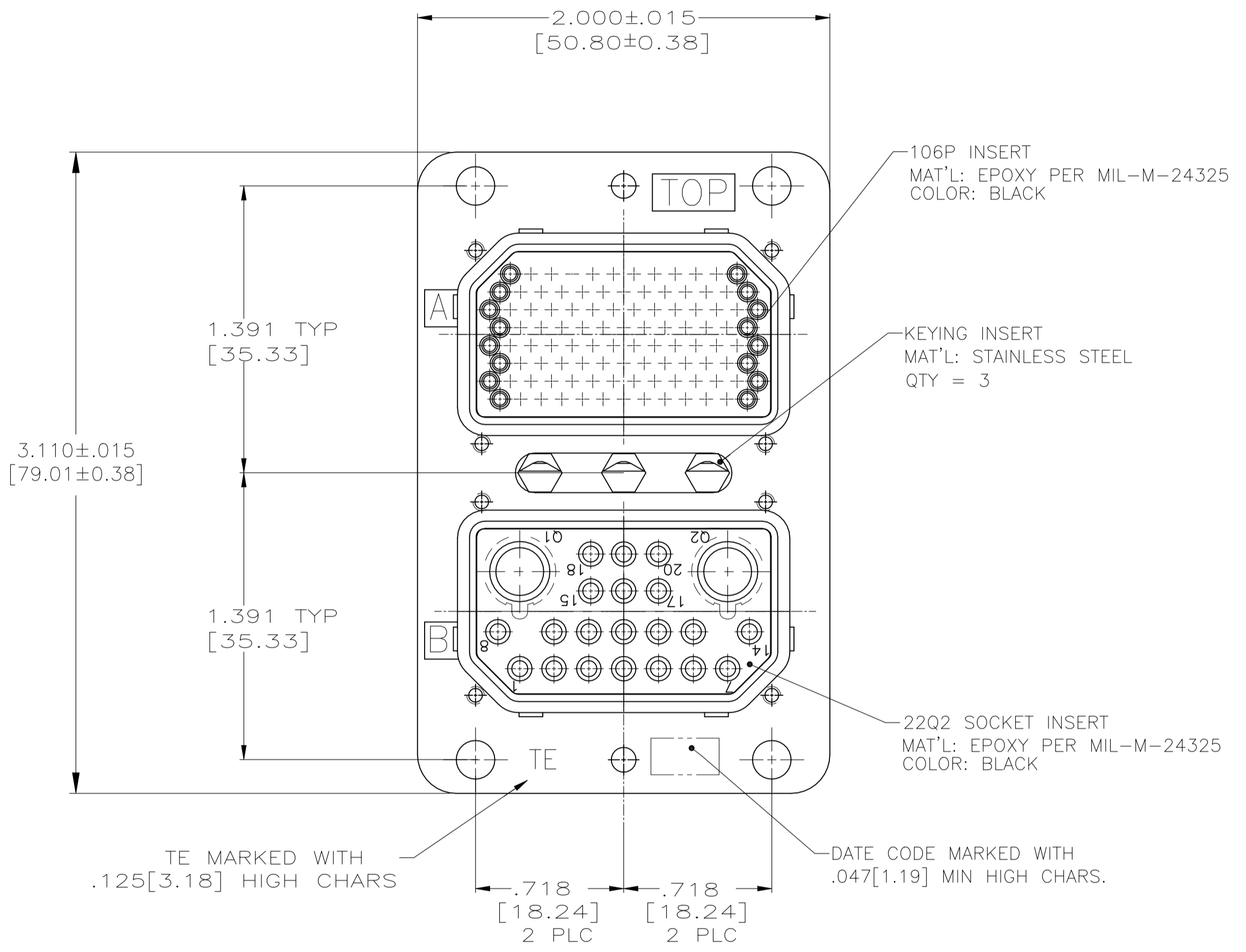


REVISIONS					
P	LTR	DESCRIPTION	DATE	DN	APVO
K		REVISED PER ECO 20-015430	5-24-21	CT	RL



- CONNECTOR DIMENSIONS ARE PER ARINC 404 SPECIFICATION.
  - KEYING SHOWN IN POSITION "01" FOR ILLUSTRATION ONLY. CONNECTORS SHIPPED WITH KEYING INSTALLED IN POSITION PER TABLE. FOR POSITION "00" KEYING HARDWARE SHIPPED UNASSEMBLED.
- 3 TWO QUADRAX SEALS PROVIDED WITH ASSEMBLY.

"02"	1757313-2
"01"	1757313-1
KEYING POSITION	PART NO.

THIS DRAWING IS A CONTROLLED DOCUMENT.		DIN C.C.THOMAS 5-20-05	NAME D.FABY 5-20-05	
DIMENSIONS: INCHES	TOLERANCES UNLESS OTHERWISE SPECIFIED:	APPROD D.FABY PRODUCT SPEC	SIZE A1	CAGE CODE 00779
0 PLC ± -	1 PLC ± -	APPLICATION SPEC	DRAWING NO 1757313	RESTRICTED TO
2 PLC ± -	3 PLC ± .005 [0.13]	WEIGHT 0.000000	SCALE 2:1	SHEET 1 of 1
4 PLC ± -	ANGLES ± -	CUSTOMER DRAWING	REV	K

单击下面可查看定价，库存，交付和生命周期等信息

[>>TE Connectivity\(泰科\)](#)