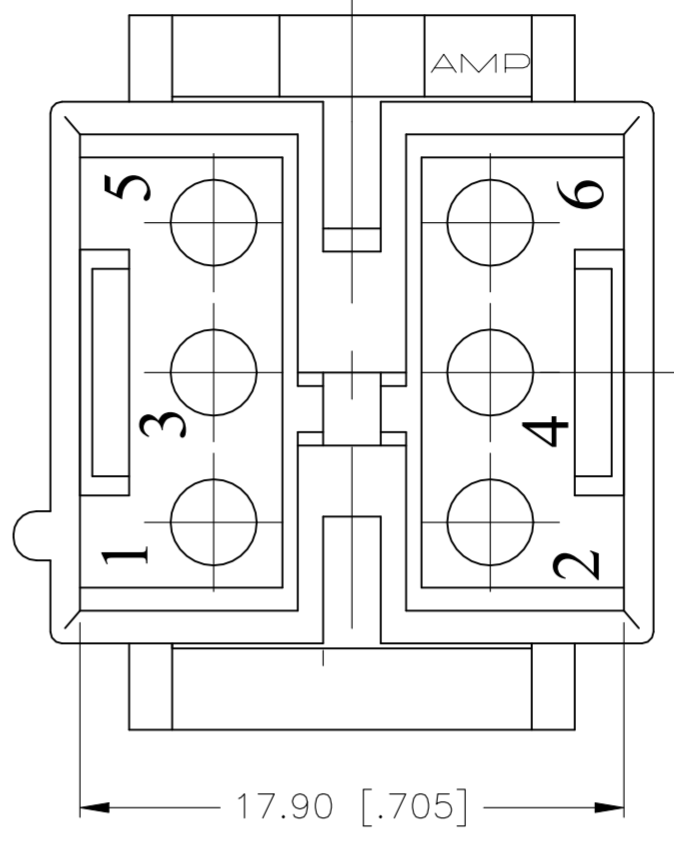
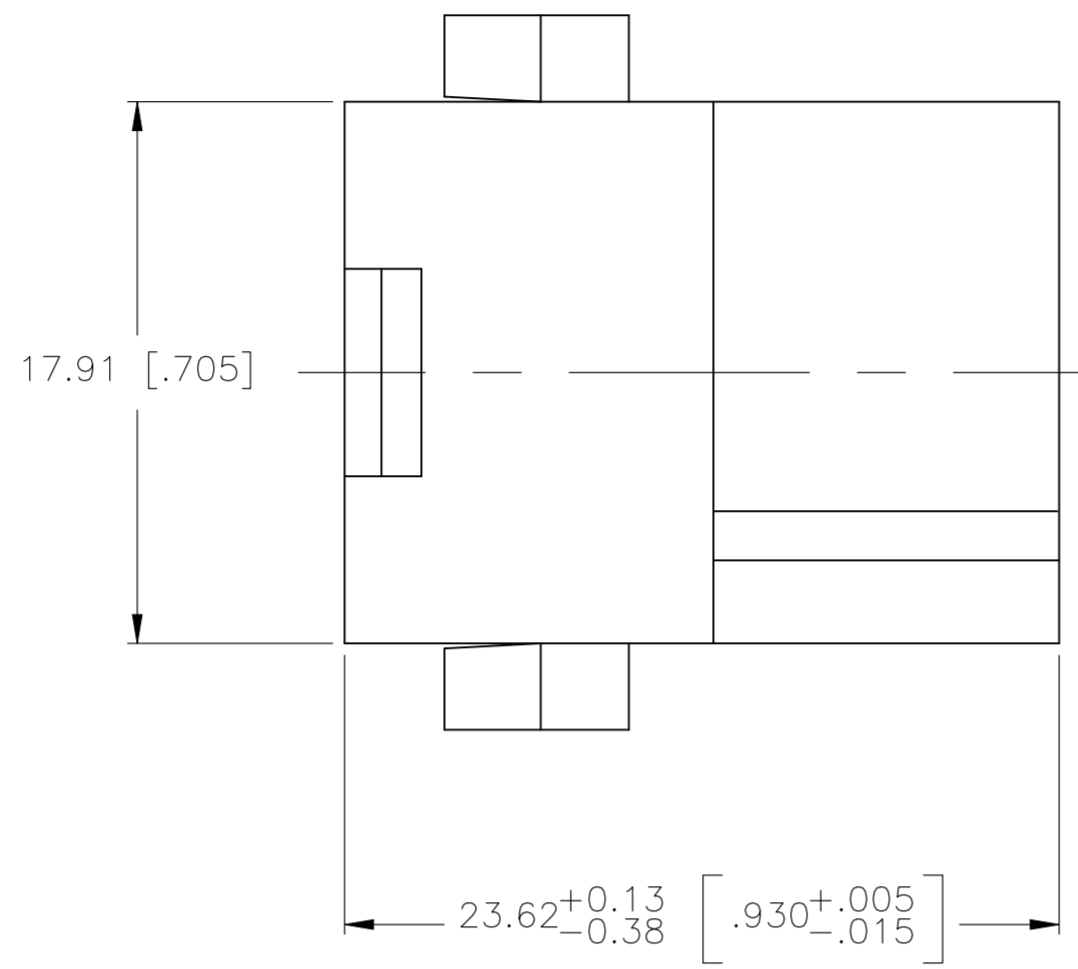
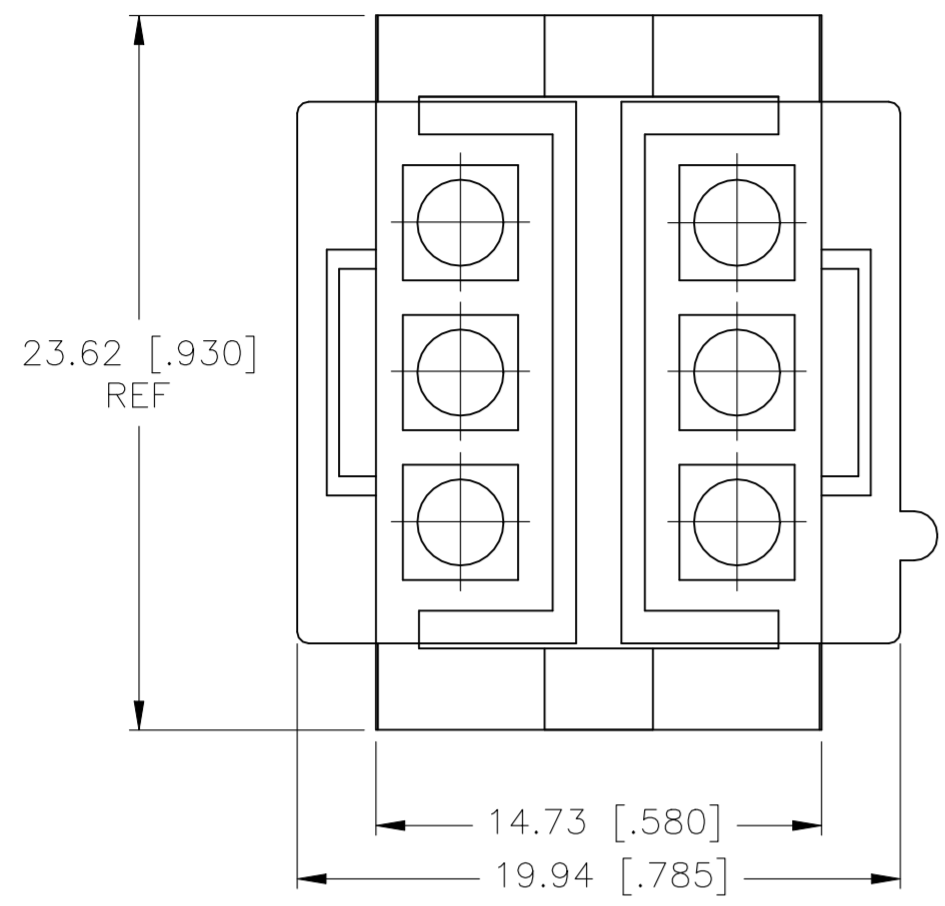
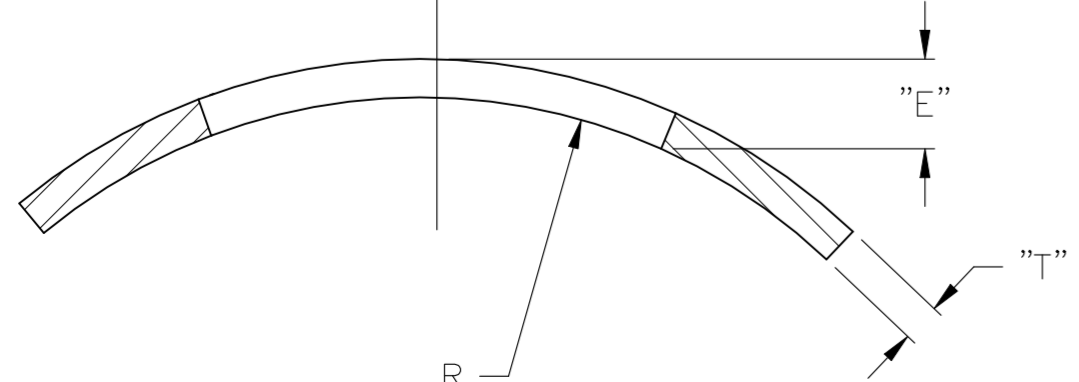
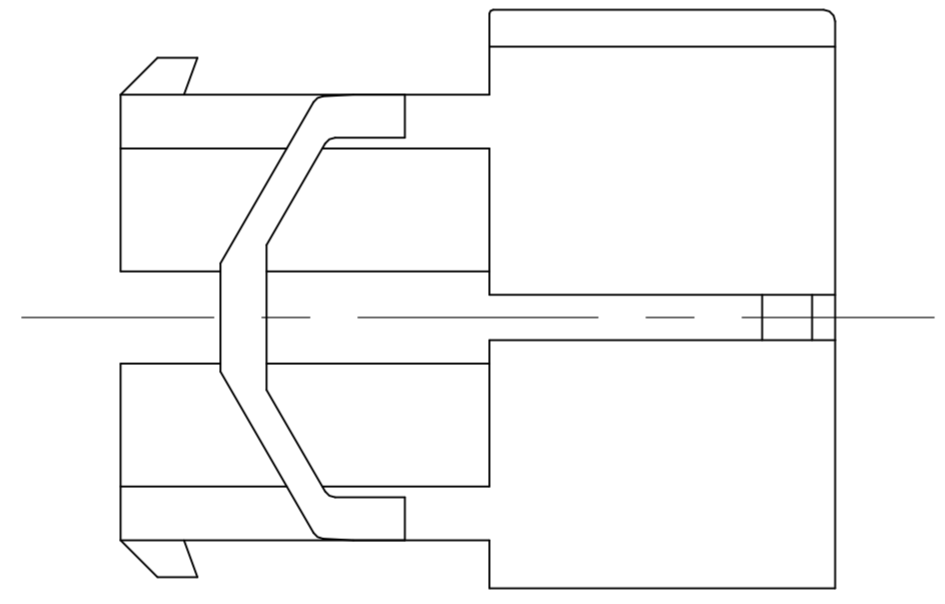
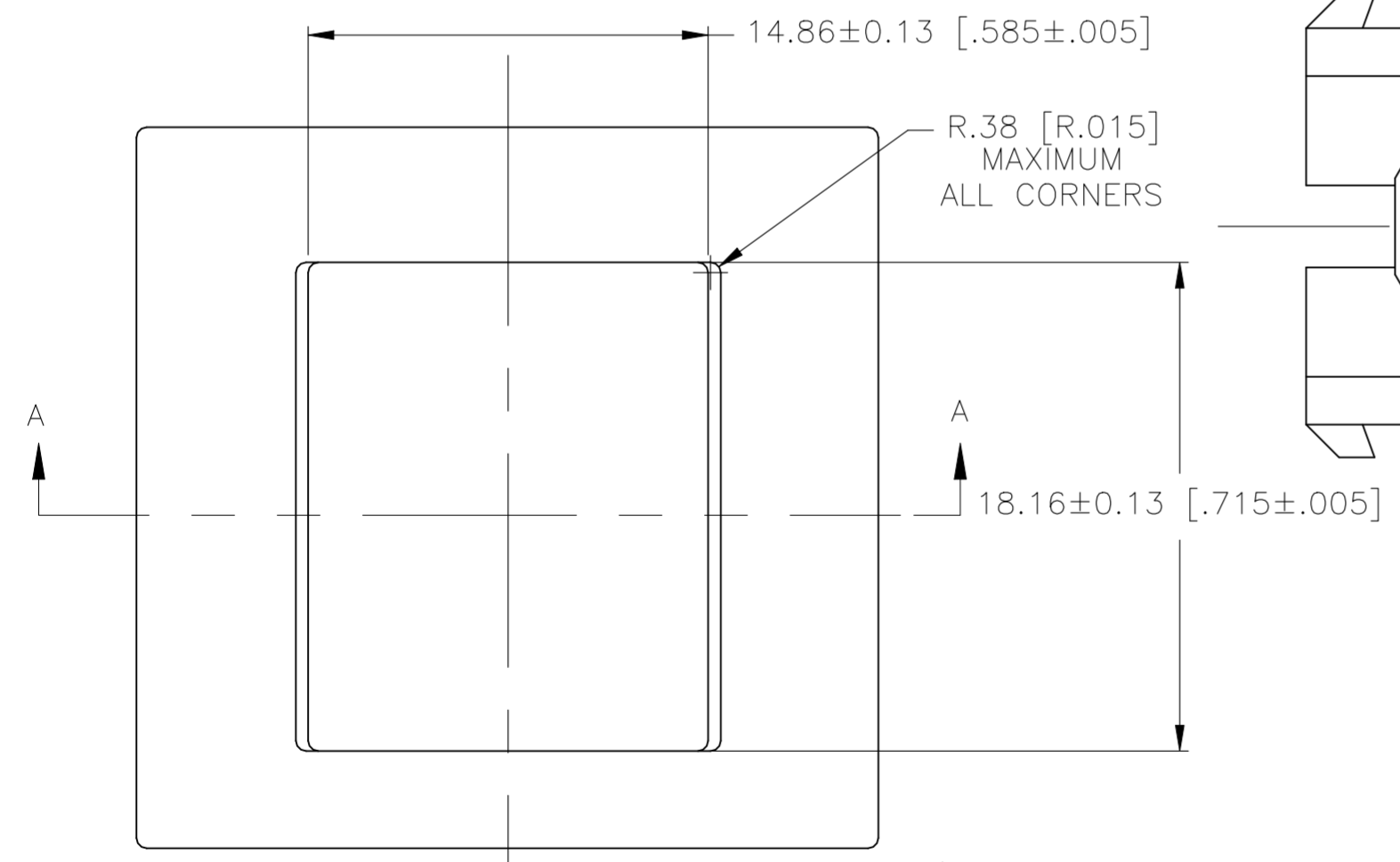


THIS DRAWING IS UNPUBLISHED. RELEASED FOR PUBLICATION
 © COPYRIGHT BY TYCO ELECTRONICS CORPORATION. ALL RIGHTS RESERVED.

LOC		DIST		REVISIONS			
P	LTR	DESCRIPTION		DATE	DWN	APVD	
CM	00	N1	REVISED PER ECR-21-101087		29APR2021	PJ	VS



1. TO BE USED WITH MATE-N-LOK(TM) DUAL LANCE PINS.
2. TO BE USED WITH PLUG 480696.
3. EFFECTIVE PANEL THICKNESS "E" IS 1.02 [.040]-2.54 [.100] AND IS DEPENDENT ON "T" & "R".
4. CAP MUST BE INSERTED IN A ROCKING MANNER.
5. HOUSING MUST ENTER PANEL IN THE SAME DIRECTION AS THE PUNCH.
6. PANEL MUST NOT HAVE ANY MATERIAL (PAINT, PORCELAIN, ETC.) APPLIED IN THE MOUNTING HOLE AREA THAT WOULD DECREASE RETENTION OF THE HOUSING IN THE PANEL.



SECTION A-A
 RECOMMENDED PANEL CUTOUT FOR 6 CIRCUIT MOTOR MOUNT CAP

OBSOLETE	COLOR	MATERIAL	PART NO.
OBSOLETE	RED	NYLON	2-480697-2
OBSOLETE	NATURAL	NYLON	2-480697-0
OBSOLETE	BLACK	NYLON	1-480697-9
OBSOLETE	GRAY	NYLON	1-480697-8
OBSOLETE	VIOLET	NYLON	1-480697-7
OBSOLETE	BLUE	NYLON	1-480697-6
OBSOLETE	GREEN	NYLON	1-480697-5
OBSOLETE	YELLOW	NYLON	1-480697-4
OBSOLETE	ORANGE	NYLON	1-480697-3
OBSOLETE	RED	NYLON	1-480697-2
OBSOLETE	BROWN	NYLON	1-480697-1
	NATURAL	NYLON	1-480697-0

THIS DRAWING IS A CONTROLLED DOCUMENT.		DWN S. HOOVER 22-MAY-2003	Tyco Electronics Corporation Harrisburg, PA 17105-3608	
DIMENSIONS: mm [INCHES]		CHK D. COLEY 22-MAY-2003	NAME CAP, MATE-N-LOK(TM), 6 CIRCUIT	
TOLERANCES UNLESS OTHERWISE SPECIFIED:		APVD D. COLEY 22-MAY-2003	SIZE A2 CAGE CODE 00779 DRAWING NO C=480697	
0 PLC ±		PRODUCT SPEC	RESTRICTED TO	
1 PLC ±		APPLICATION SPEC	SCALE 4:1 SHEET 1 OF 1 REV N1	
2 PLC ± 0.13 [.005]		WEIGHT	CUSTOMER DRAWING	
3 PLC ±		CUSTOMER DRAWING		
4 PLC ±				
ANGLES ± 0°30'				
FINISH				

单击下面可查看定价，库存，交付和生命周期等信息

[>>TE Connectivity\(泰科\)](#)