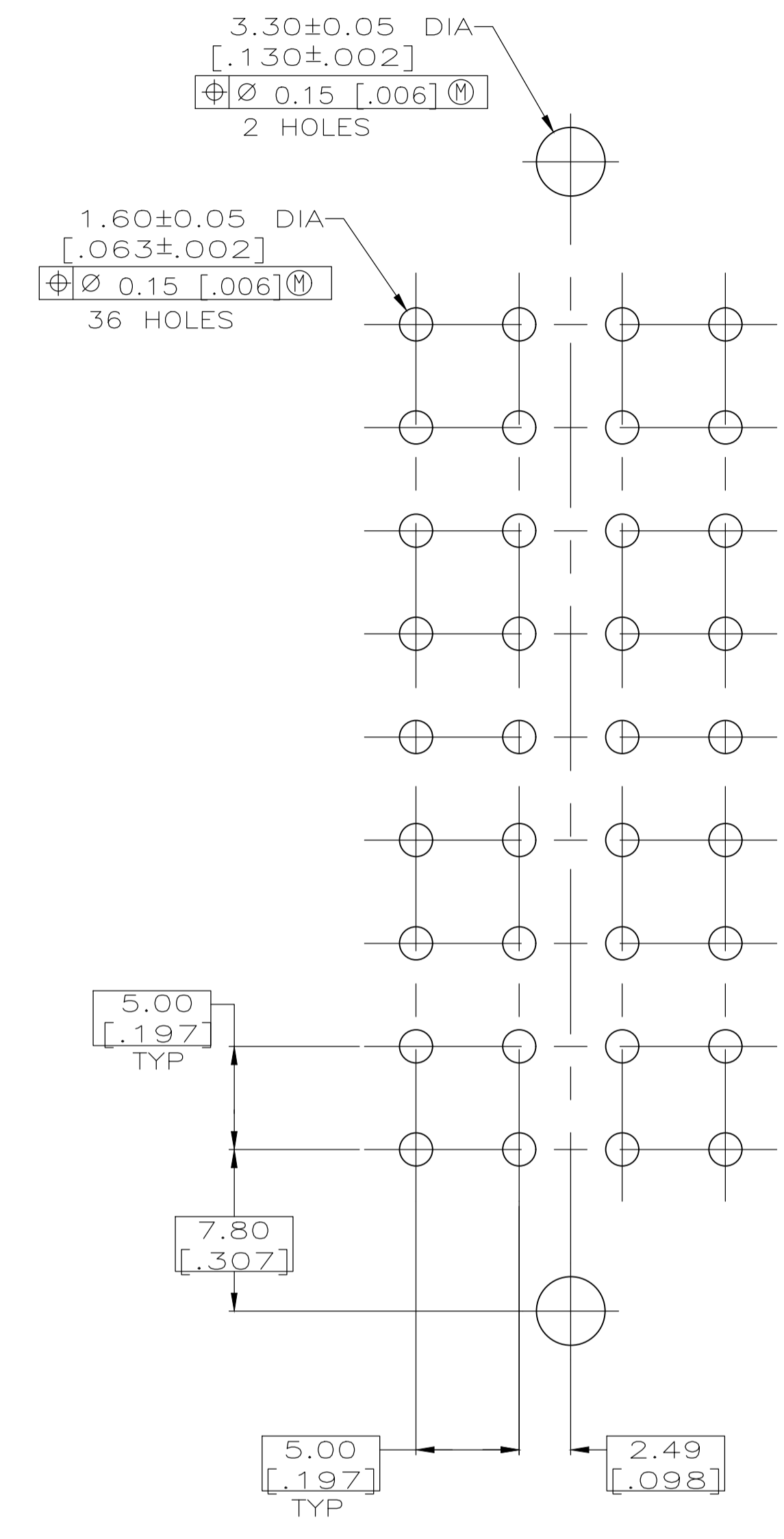
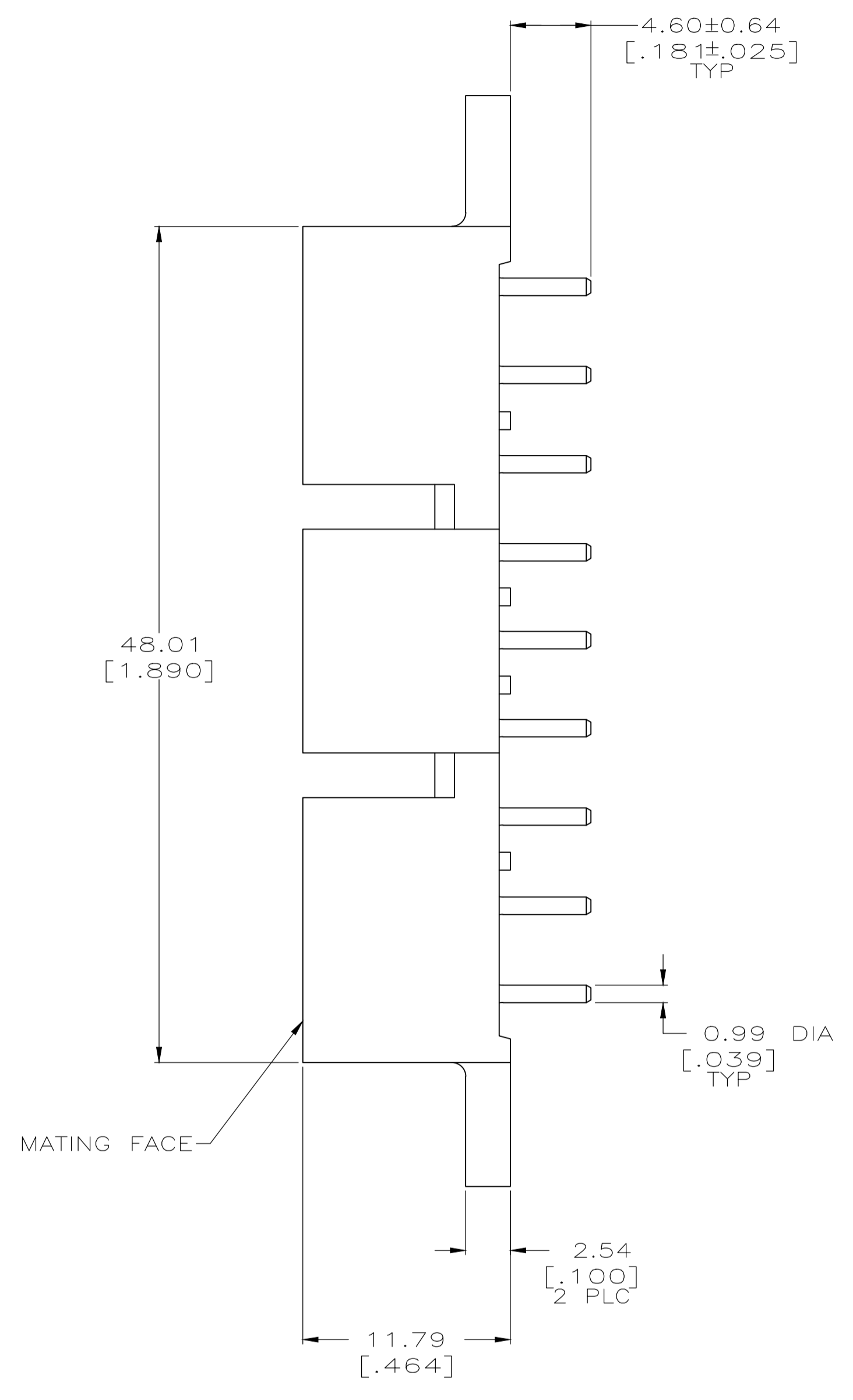
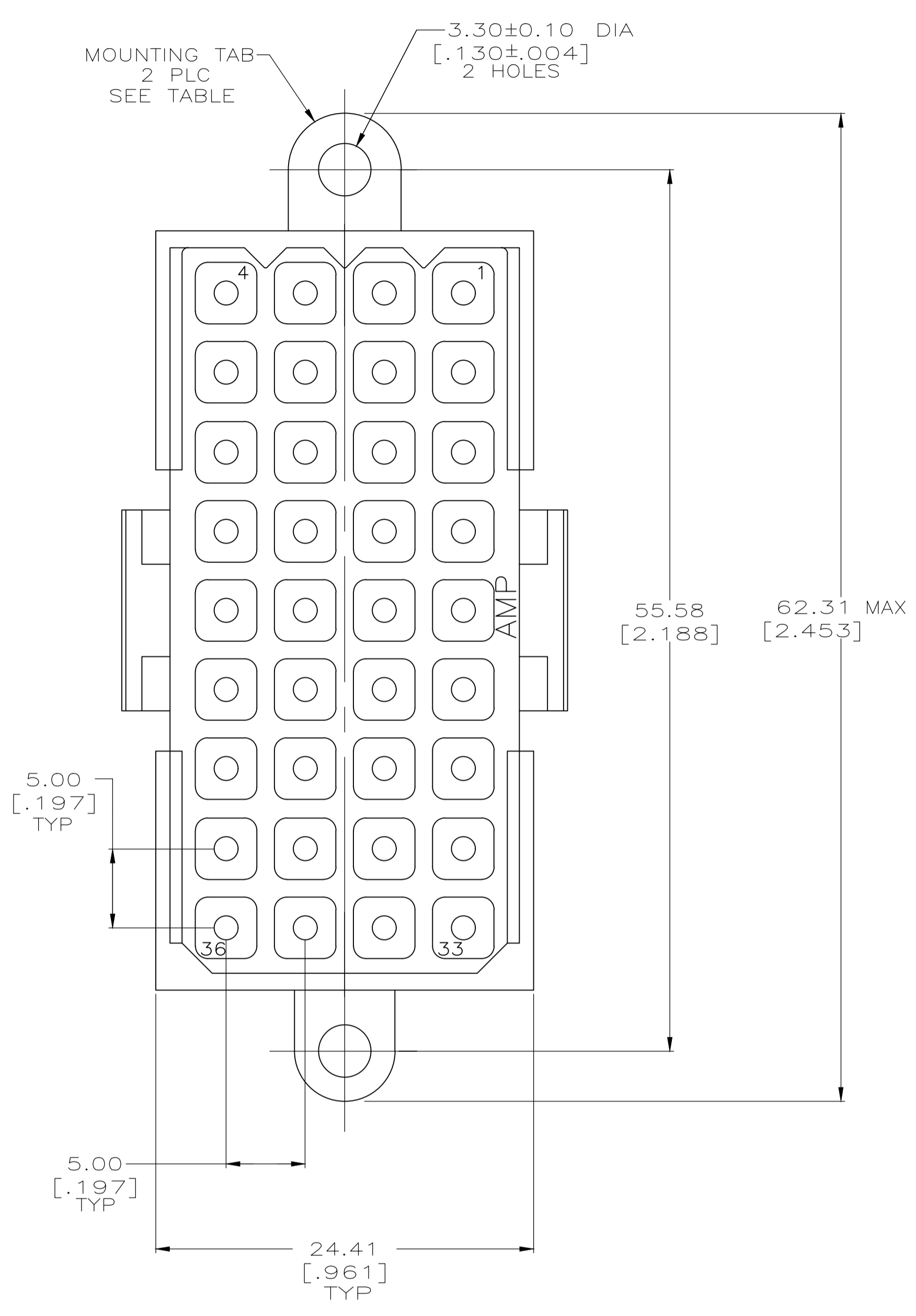
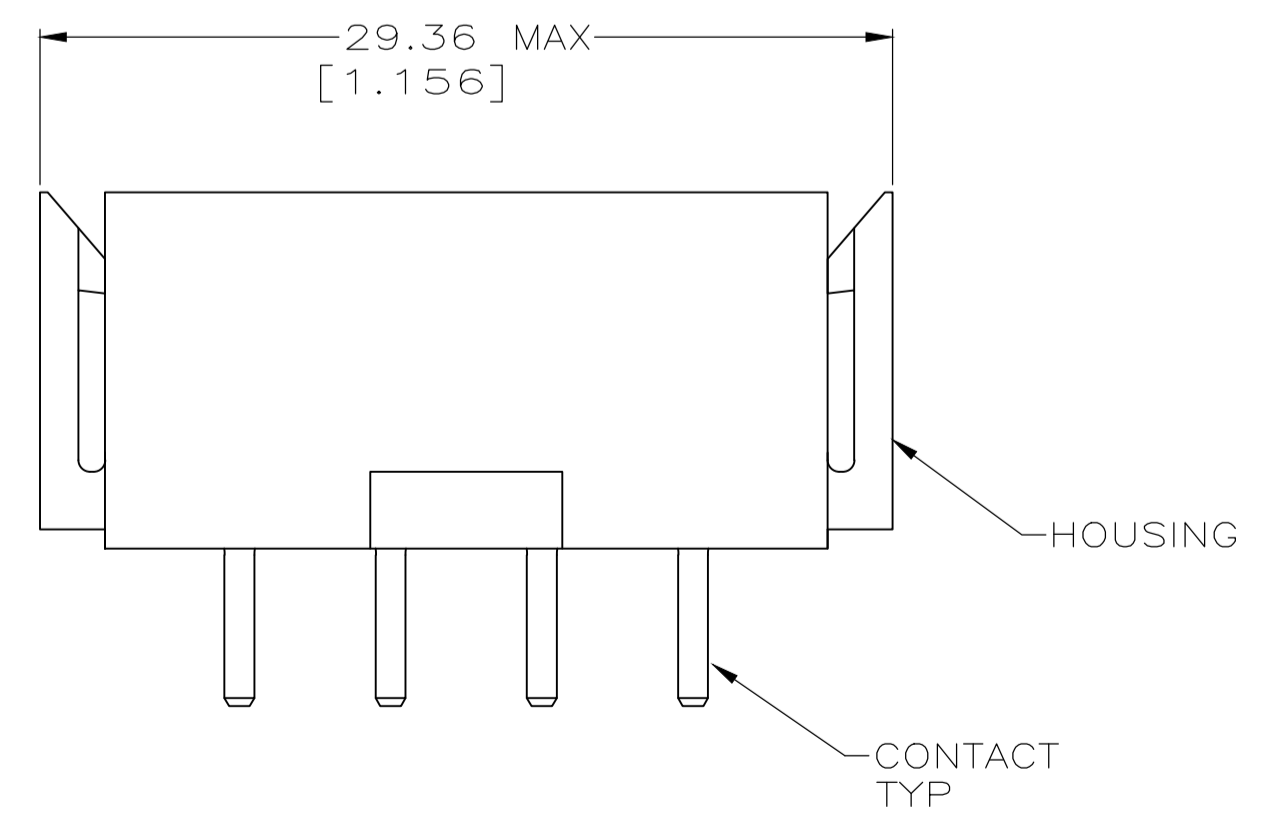


REVISIONS					
REV	DATE	DESCRIPTION	BY	CHK	APPV
Z	24JAN2018	REVISED PER ECO-12-007055	RS		MZ
AA	13FEB2020	REVISED PER ECO-20-002045	RK		MZ



RECOMMENDED PC BOARD LAYOUT



- ① HOUSING MATERIAL: PA66, BLACK, UL 94 V-0 RATED.
- ② CONTACT MATERIAL: BRASS PER ASTM B36.
- ③ 3.81um [.000150] MIN TIN OVER 2.54um [.000100] MIN COPPER.
- ④ 0.76um [.000030] MIN GOLD FOR A LENGTH OF 5.08 [.200] FROM MATING END, 3.81um [.000150] MIN TIN-LEAD FOR A LENGTH OF 4.83 [.190] MIN FROM OPPOSITE END, BOTH OVER 1.27um [.000050] MIN NICKEL.
- ⑤ .000150 MIN TIN OVER .000100 MIN CU, OR .000050 MIN NICKEL.
- ⑥ 0.76um [.000030] MIN GOLD FOR A LENGTH OF 5.08 [.200] FROM MATING END, 3.81um [.000150] MIN TIN FOR A LENGTH OF 4.83 [.190] MIN FROM OPPOSITE END, BOTH OVER 1.27um [.000050] MIN NICKEL.

REV	DATE	DESCRIPTION	BY	CHK	APPV
6		NO			1-207121-0
6		YES			207121-9
5		YES			207121-8
4		NO			207121-4
4		YES			207121-3
3		NO			207121-2
3		YES			207121-1

THIS DRAWING IS A CONTROLLED DOCUMENT.

DIMENSIONS: INCHES	TOLERANCES UNLESS OTHERWISE SPECIFIED:	DIN L.SIPE 03/12/92	APV R.STONE 3-17-92
0 PLC ± -	1 PLC ± -	APV A. TRAVIS 3-17-92	NAME
2 PLC ± 0.13 [.005]	3 PLC ± -	PRODUCT SPEC	108-10033
4 PLC ± -	ANGLES ± -	APPLICATION SPEC	
MATERIAL	FINISH CONTACT: SEE TABLE	SIZE	CAGE CODE
		WEIGHT	DRAWING NO
		A1	00779
		C=207121	RESTRICTED TO
		CUSTOMER DRAWING	SCALE 4:1 SHEET 1 OF 1 REV AA

STE TE Connectivity Ltd.

PIN HEADER ASSEMBLY, 36 POSITION, METRIMATE

单击下面可查看定价，库存，交付和生命周期等信息

[>>TE Connectivity\(泰科\)](#)