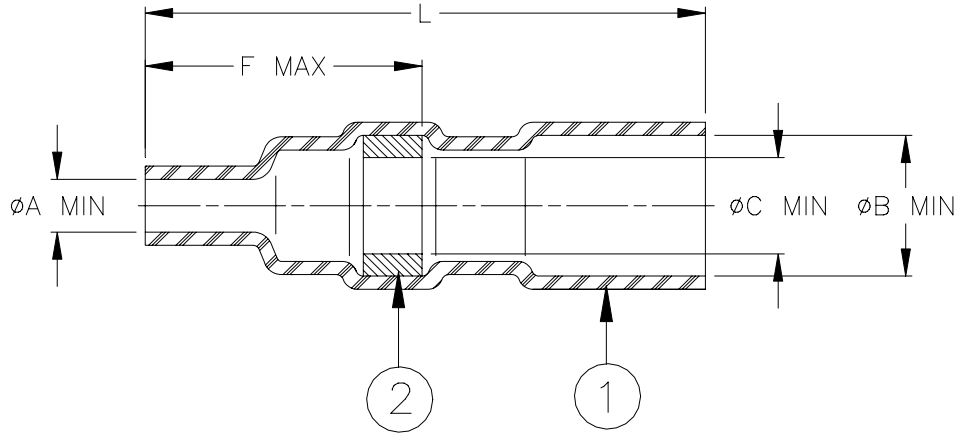


## SPECIFICATION CONTROL DRAWING



Product Revision		Product Dimensions					Usable Wire Gauge	
Product Name		L ±1.25 (.050)	F max	ØA min	ØB min	ØC min	"Y" Splice	End Splice
C-110-0059	E	15.25 (.600)	8.0 (.315)	1.0 (.040)	2.8 (.110)	2.3 (.090)	22 - 30	20 - 26

### MATERIALS

1. INSULATION SLEEVE: Heat-shrinkable, transparent blue, radiation cross-linked modified polyvinylidene fluoride.
2. SOLDER PREFORM WITH FLUX:
  - SOLDER: TYPE Sn63 per ANSI J-STD-006.
  - FLUX: TYPE ROM1 per ANSI J-STD-004.

### APPLICATION

1. The parts covered by this SCD are for use in splicing tin or silverplated solid conductors of the sizes listed. Conductors are to be twisted and trimmed to 5.0 (0.20) to 6.3 (0.25) length. All lead insulations exit from top end of sleeve.
2. Parts will meet the requirements of AT&T Specification KS-21256L3 and Raychem Specification RT-1404 when installed per Raychem Installation Procedure RPIP-823-00.
3. Temperature rating: -55°C to +125°C.

 307 Constitution Drive Menlo Park, CA 94025		<b>Wire and                  Harnessing                  Products</b>		TITLE : <p style="text-align: center;"><b>KS21256-L3                  Soldersleeve Device</b></p>			
UNLESS OTHERWISE SPECIFIED DIMENSIONS ARE IN MILLIMETERS. INCHES DIMENSIONS ARE BETWEEN BRACKETS.				DOCUMENT NO.: <b>C-110-0059</b>			
TOLERANCES: 0.00 N/A 0.0 N/A 0 N/A	ANGLES: N/A  ROUGHNESS IN MICRON	Raychem reserves the right to amend this drawing at any time. Users should evaluate the suitability of the product for their application.		DCR NUMBER: D010005		REPLACES: D980612	
DRAWN BY: M. FORONDA	DATE: 18-Jan.-01	PROD. REV. See table	DOC ISSUE: 2	SCALE: None	SIZE: A	SHEET: 1 of 1	

If this document is printed it becomes uncontrolled. Check for the latest revision.

单击下面可查看定价，库存，交付和生命周期等信息

[>>TE Connectivity\(泰科\)](#)