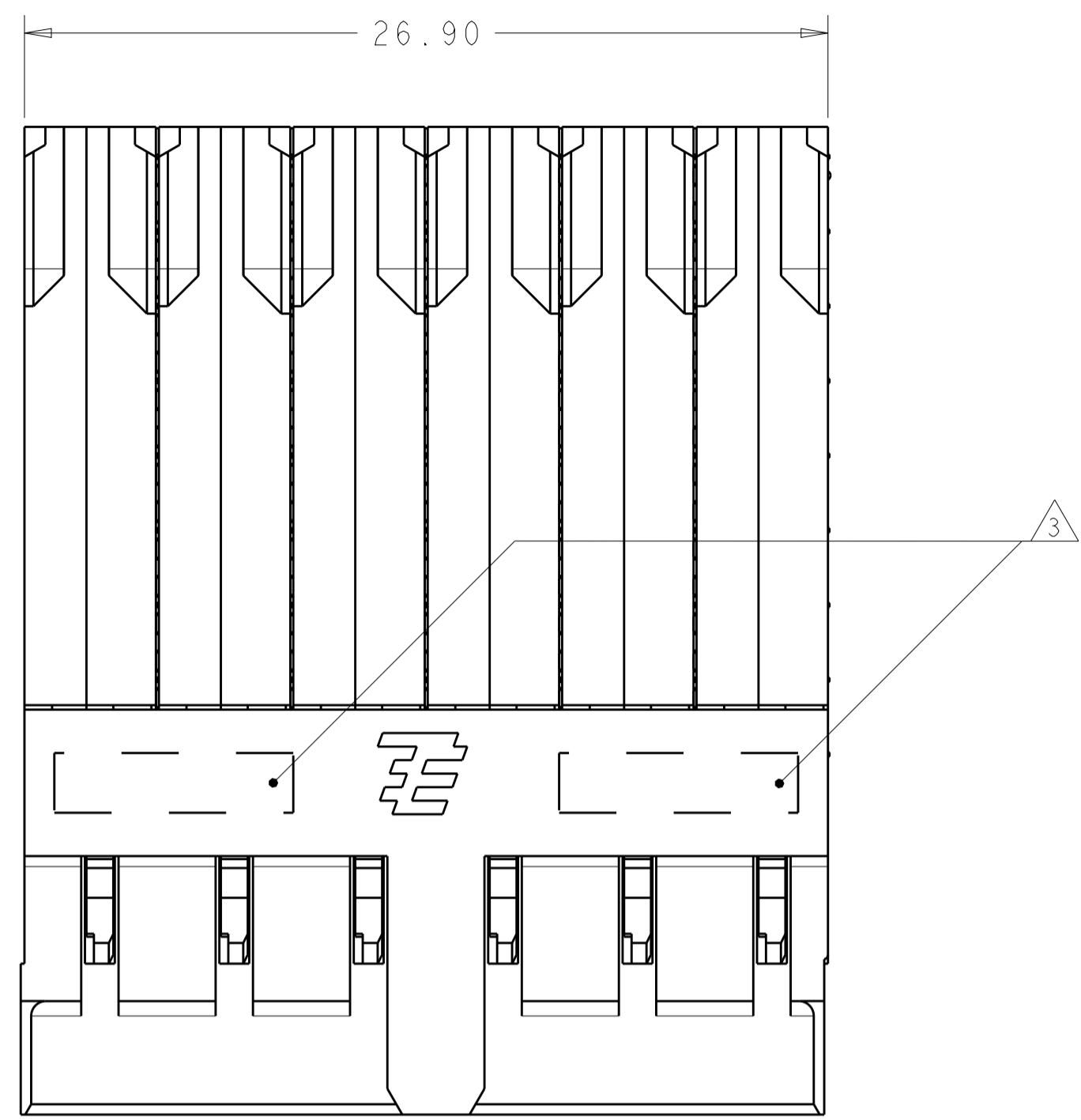
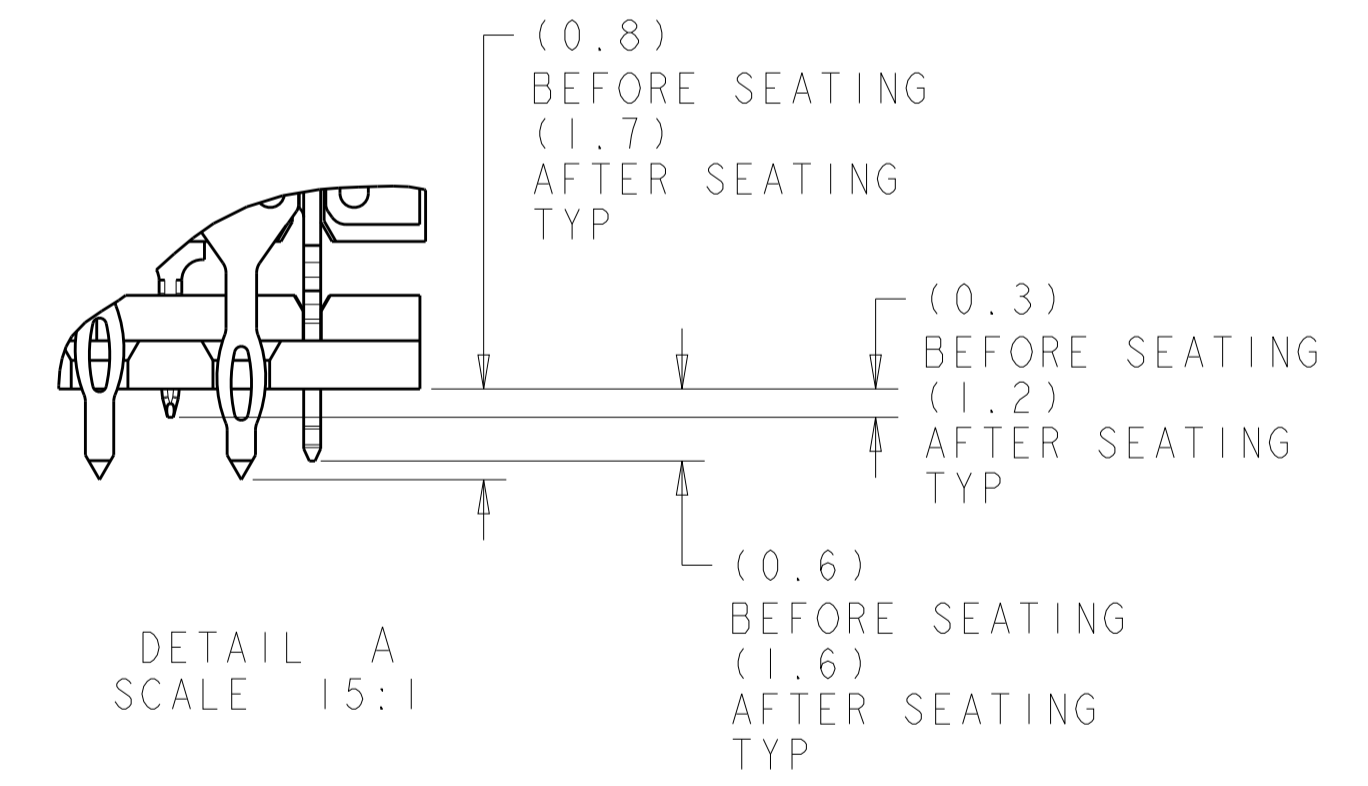
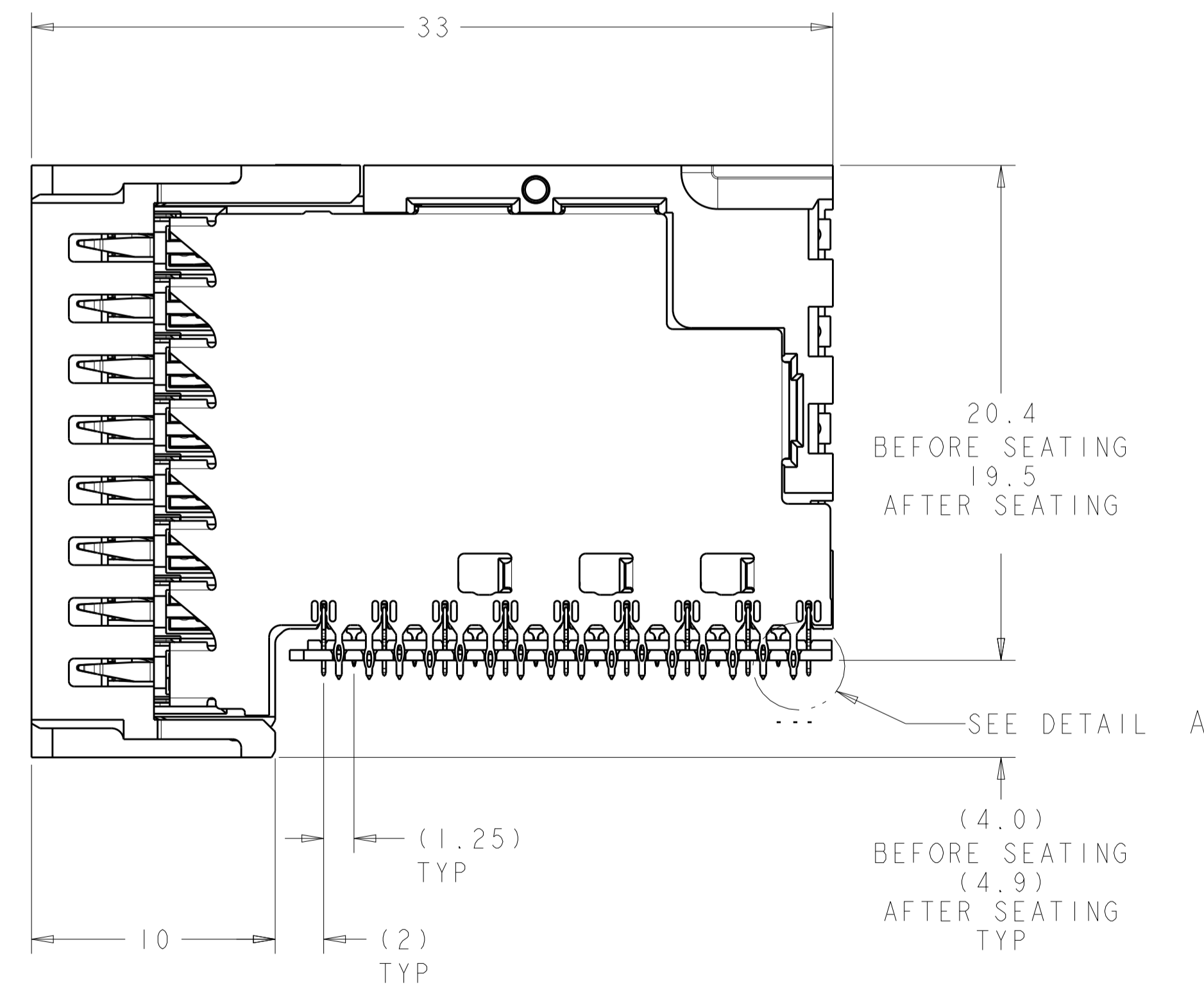
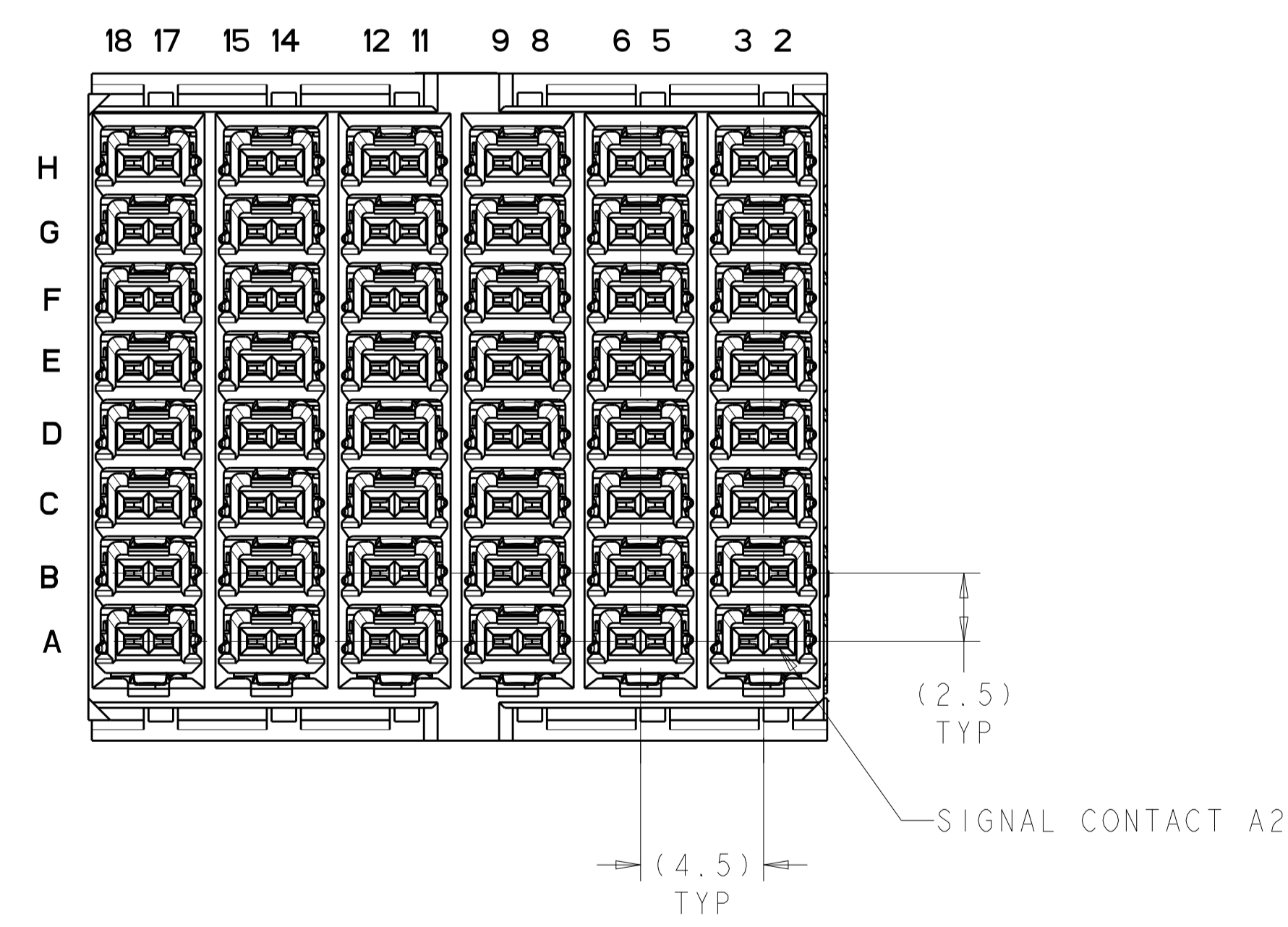


| LOC | DIST | REVISIONS |     |                           |           |     |      |
|-----|------|-----------|-----|---------------------------|-----------|-----|------|
| GP  | 00   | P         | LTN | DESCRIPTION               | DATE      | DWN | APVD |
|     |      | A         |     | RELEASED                  | 23MAR2014 | RT  | NS   |
|     |      | B         |     | REVISED PER ECO-14-010320 | 07JUL2014 | LAW | NS   |
|     |      | C         |     | REVISED PER ECO-17-006848 | 10MAY2017 | JM  | SS   |



- 1 MATERIAL:  
CONTACT AND SHIELD - COPPER ALLOY.  
HOUSINGS, AND ORGANIZER - THERMOPLASTIC, UL 94V-0, BLACK.
- 2 CONFORMS TO REQUIREMENTS OF TE PRODUCT SPECIFICATION 108-2413 & 108-32037  
BASED ON TELCORDIA GR-1217-CORE FOR SYSTEM QUALITY LEVEL III;  
APPLICATIONS IN CONTROLLED ENVIRONMENTS (CENTRAL OFFICE).
- 3 CONNECTOR MARKED WITH PART NUMBER, DATE CODE,  
MANUFACTURING LOCATION IDENTIFICATION CODE, AND 2D BARCODE IN APPROXIMATE AREA SHOWN.
- 4 CONTACT AREA LUBRICATED WITH BELLCORE APPROVED LUBRICANT.  
TECHNICAL REFERENCE: GR-1217-CORE, ISSUE 2, DECEMBER 2008.
- 5 PLATED THRU HOLE REQUIREMENTS:  
FINISHED HOLE =  $\varnothing 0.344 \pm 0.039$   
DRILLED HOLE =  $\varnothing 0.420 \pm 0.013$   
COPPER THICKNESS =  $0.038 \pm 0.013$   
IMMERSION TIN IF APPLICABLE =  $0.00051 \pm 0.00013$
- 6 PLATED THRU HOLE REQUIREMENTS:  
FINISHED HOLE =  $\varnothing 0.244 \pm 0.039$   
DRILLED HOLE =  $\varnothing 0.320 \pm 0.013$   
COPPER THICKNESS =  $0.038 \pm 0.013$   
IMMERSION TIN IF APPLICABLE =  $0.00051 \pm 0.00013$
- 7 PTH DIMENSIONS APPLY TO 1.00mm DEPTH FROM MOUNT SIDE OF PCB.
- 8 HOLE POSITION TOLERANCE APPLIES WITHIN PATTERN FOR CONNECTOR  
PATTERN TO CONNECTOR PATTERN, A 0.12 $\varnothing$  POSITION TOLERANCE APPLIES.

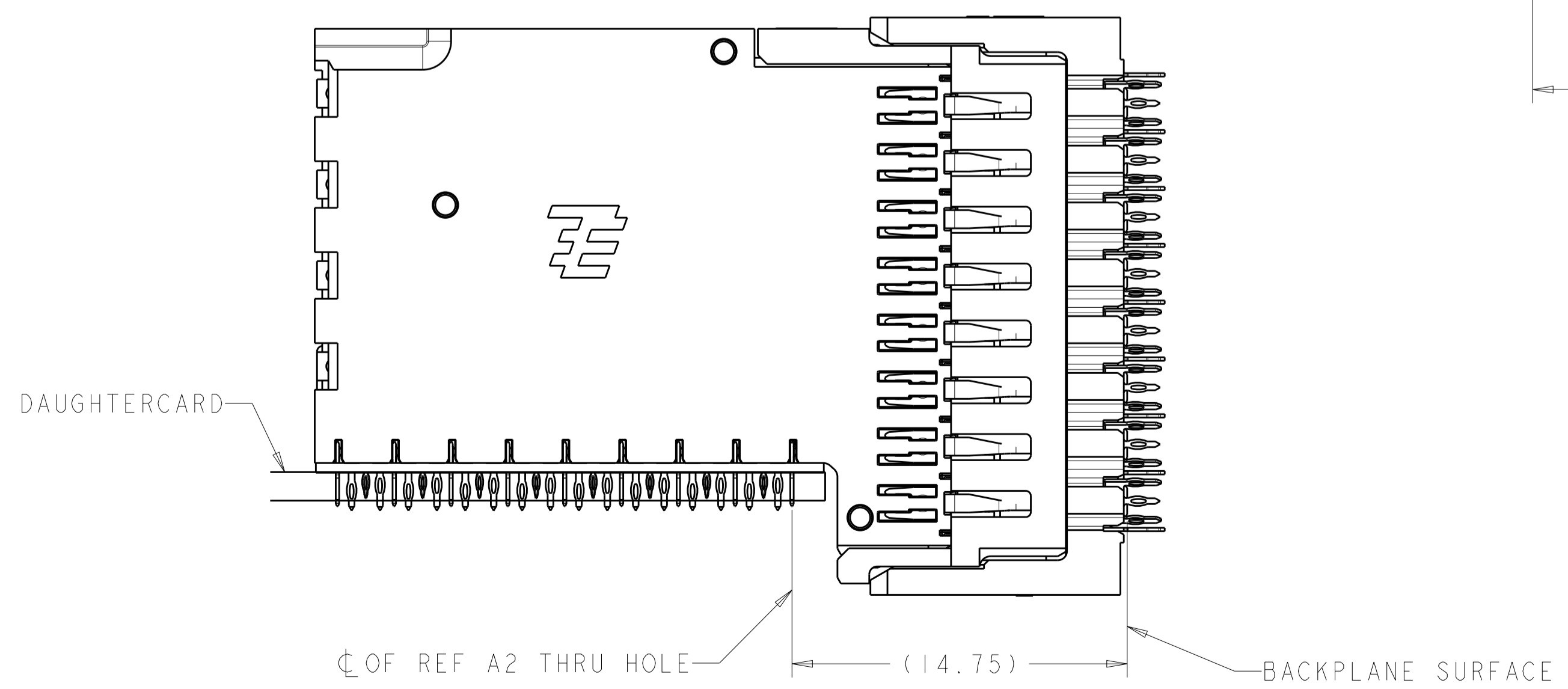
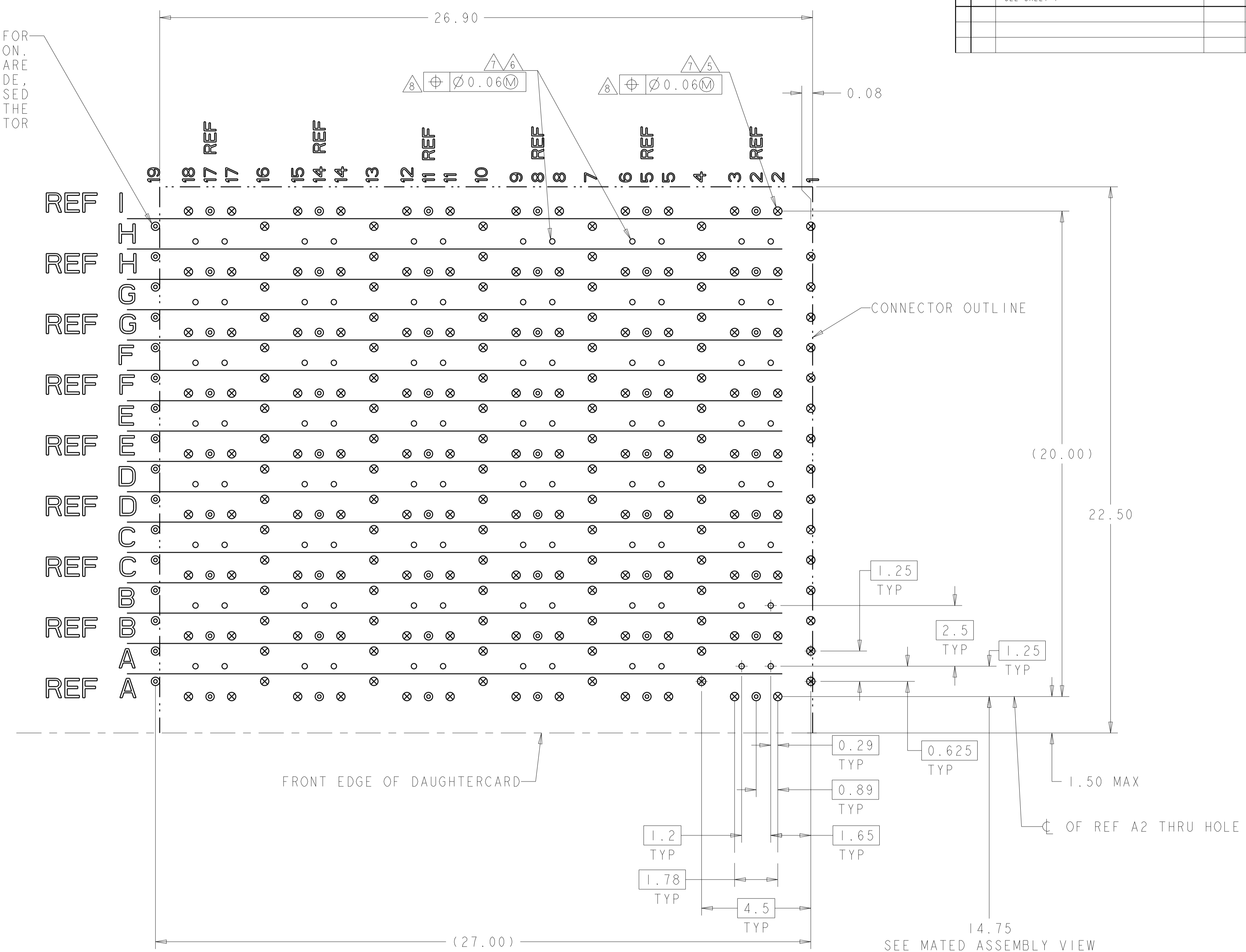


|                          |           |
|--------------------------|-----------|
| TIN                      | 2198263-3 |
| <b>OBSELETE</b> TIN LEAD | 2198263-1 |
| PRESS FIT TAIL PLATING   | PART NO   |

|  |             |                           |  |  |
|--|-------------|---------------------------|--|--|
| THIS DRAWING IS A CONTROLLED DOCUMENT. |             | DWN R. THOMPSON 29NOV2011 | TE Connectivity  |  |
| DIMENSIONS: mm                         |             | CHK N. SWANGER 29NOV2011  | RECEPTACLE ASSEMBLY, 8 PAIR 6 COLUMN, RIGHT ANGLE, 4.5mm PITCH, STRADA WHISPER 360 |  |
| TOLERANCES UNLESS OTHERWISE SPECIFIED: |             | APVD N. SWANGER 29NOV2011 | SIZE CAGE CODE DRAWING NO RESTRICTED TO  |  |
| 0 PLC                                  | $\pm 0.2$   | PRODUCT SPEC              | A100779C=2198263   |  |
| 1 PLC                                  | $\pm 0.2$   | APPLICATION SPEC          | SCALE 5:1 SHEET 1 OF 2 REV C   |  |
| 2 PLC                                  | $\pm 0.08$  | 114-13301                 |  |  |
| 3 PLC                                  | $\pm 0.013$ | WEIGHT                    |  |  |
| 4 PLC                                  | $\pm 0.013$ | Customer Drawing          |  |  |
| ANGLES                                 | $\pm$       |                           |  |  |
| MATERIAL                               | SEE TABLE   |                           |  |  |

| LOC | DIST | REV | DATE | BY | APPV |
|-----|------|-----|------|----|------|
| GP  | 00   |     |      |    |      |

FOOTPRINT SHOWN IS FOR SINGLE MODULE APPLICATION. WHEN CONNECTORS ARE STACKED SIDE BY SIDE, THESE SI VIAS ARE USED AS GROUNDS BY THE NEXT CONNECTOR



PCB LAYOUT COMPONENT SIDE SHOWN SCALE 10:1

- = SIGNAL
- ⊗ = GROUND
- ⊙ = SIGNAL INTEGRITY VIA TO GROUND

|  |             |                           |   |
|--|-------------|---------------------------|---|
| THIS DRAWING IS A CONTROLLED DOCUMENT. |             | OWN R. THOMPSON 29NOV2011 | TE Connectivity   |
| DIMENSIONS:                            |             | CHK N. SWANGER 29NOV2011  |   |
| TOLERANCES UNLESS OTHERWISE SPECIFIED: |             | APVD N. SWANGER 29NOV2011 | NAME RECEPTACLE ASSEMBLY, 8 PAIR 6 COLUMN, RIGHT ANGLE, 4.5mm PITCH, STRADA WHISPER 360 |
| mm                                     | 0 PLC ±0.2  | PRODUCT SPEC              | SIZE CAGE CODE DRAWING NO RESTRICTED TO   |
|  | 1 PLC ±0.2  | APPLICATION SPEC          | A100779C=2198263  |
|  | 2 PLC ±0.08 | WEIGHT                    | SCALE 5:1 SHEET 2 OF 2 REV C  |
|  | 3 PLC ±0.03 | MATERIAL                  | Customer Drawing  |
|  | 4 PLC ±0.13 | FINISH                    |   |
|  | ANGLES ±°   |                           |   |

单击下面可查看定价，库存，交付和生命周期等信息

[>>TE Connectivity\(泰科\)](#)