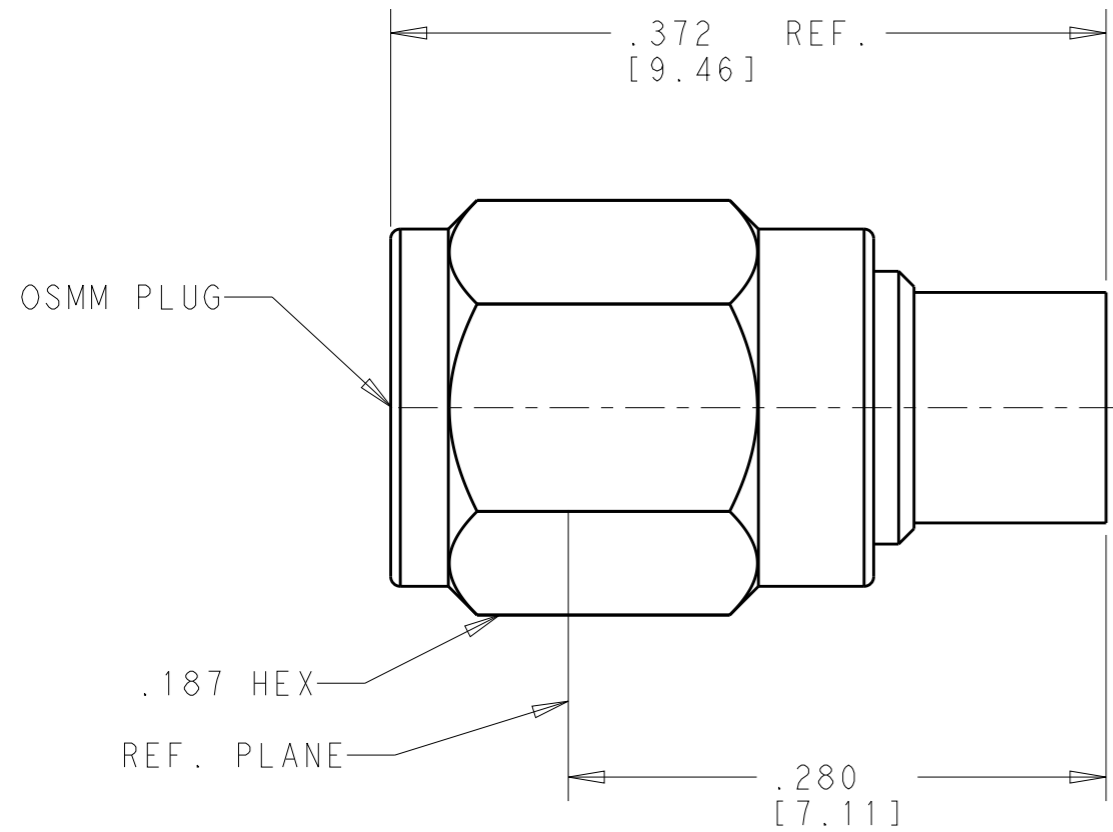


THIS DRAWING IS UNPUBLISHED. RELEASED FOR PUBLICATION 20  
 © COPYRIGHT 20 BY - ALL RIGHTS RESERVED.

REVISIONS					
P	LTR	DESCRIPTION	DATE	DWN	APVD
	C	REV PER ECO 17-014431	10-11-17	CT	DW



1. CENTER CONTACT IS SHIPPED UNASSEMBLED.

COMPONENT	MATERIAL	FINISH
HOUSING	100-222-2, STAINLESS STEEL	GOLD PLATE PER ASTM B488
DIELECTRIC	100-54, PTFE, NATURAL	N/A
CENTER CONTACT	100-110 BRASS, HALF HARD	GOLD PLATE PER ASTM B488
GASKET	SILICONE RUBBER PER ZZ-R-765	N/A
RETAINING RING	BERYLLIUM COPPER PER ASTM-B-194, ALLOY C17200, CONDITION H	N/A

ELECTRICAL	MECHANICAL	ENVIRONMENTAL
NOM. IMPEDANCE (OHMS) 50 ±1	<b>Mating Characteristics:</b> Insertion (MAX Lbs) 3 Withdrawal (MIN Oz) .5 Force to Engage (In-Lbs MAX) 1.0 & Disengage Center Contact Captivation Axial (Lbs) N/A	TEMP. RATING -65° TO +165°C
Freq. Range (GHz) DC to 45		Vibration MIL-STD-202, Method 204, Condition D
Volt Rating (VRMS MAX) @ Sea Level 190		Shock MIL-STD-202, Method 213 Condition 1
VSWR 1.05±.005X F(GHz)		THERMAL SHOCK Method 107, Cond B except High Temp +115°C
Insertion Loss (db Max) .08x SQRT.f(GHz)		Moisture Resistance MIL-STD-202 Method 106
RF Leakage (db MIN) (Interface Only, Fully Mated) -(90-f(GHz))		Corrosion - MIL-STD-202, Method 101, Condition B
Corona, 70,000Ft.(VRMS MIN) 150		
Dielectric Withstanding Voltage (VRMS MIN)@ Sea Level 500		
Contact Resistance (Millohms MAX) Center Contact 4.0 Outer Contact 3.0 Cable to Housing 1.0		
RF High Potential @ Sea Level (VRMS MIN @ 5MHz) 375		
IR (Megohms MIN) 5000		

THIS DRAWING IS A CONTROLLED DOCUMENT.

DWN 09SEPT2008 D. Wilson  
 CHK 09NOV2009 S. T. Morley  
 APVD 24MAY2011 DHW

**STE** TE Connectivity

NAME OSMM STRAIGHT CABLE PLUG DIRECT SOLDER FOR .086 DIA. CABLE

PRODUCT SPEC -  
 APPLICATION SPEC 408-10450  
 WEIGHT -

SIZE A3 CAGE CODE 00779 DRAWING NO C-1996942 RESTRICTED TO -

MATERIAL SEE TABLE FINISH SEE TABLE

CUSTOMER DRAWING SCALE 15:1 SHEET 1 OF 1 REV C

单击下面可查看定价，库存，交付和生命周期等信息

[>>TE Connectivity\(泰科\)](#)