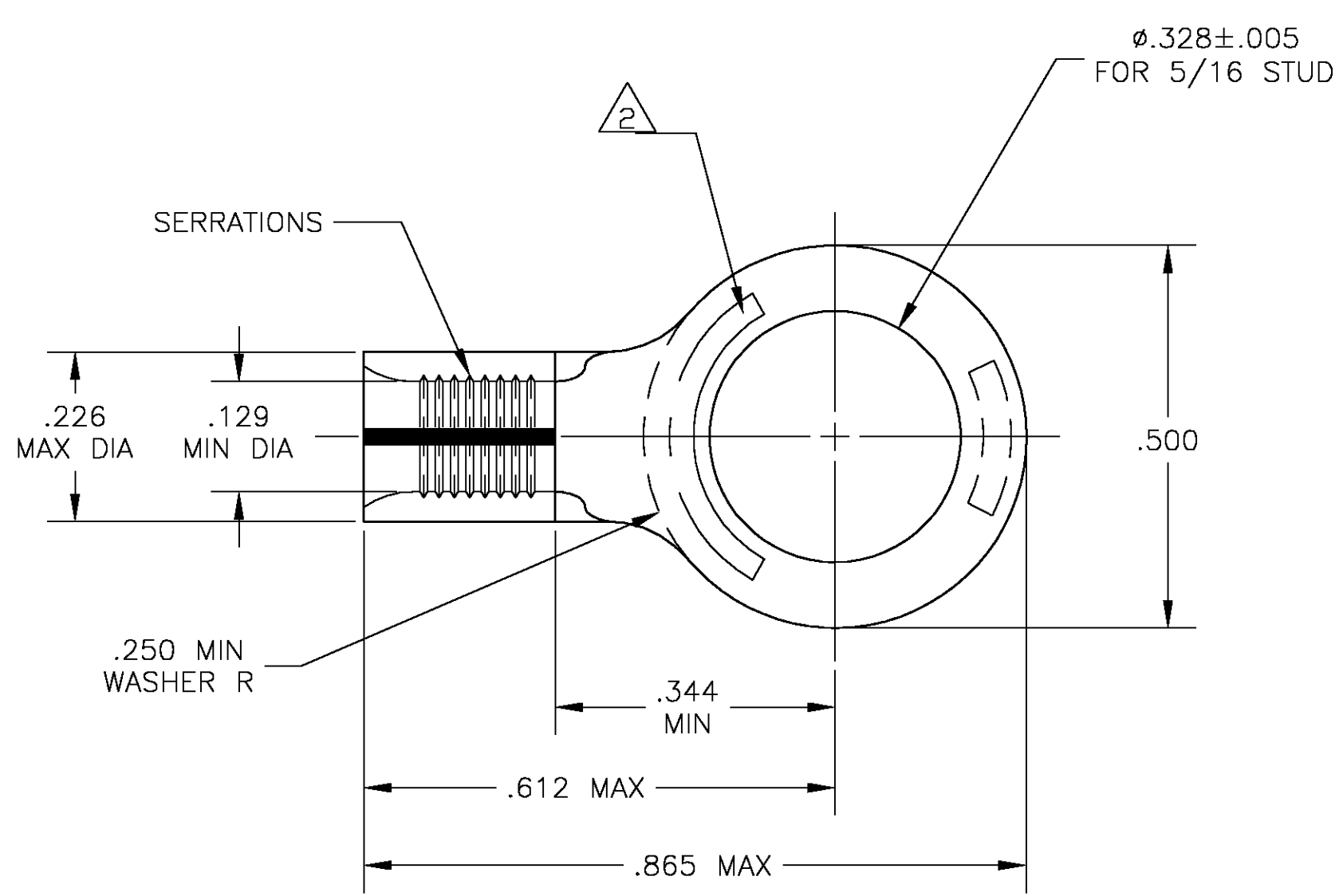


THIS DRAWING IS UNPUBLISHED. RELEASED FOR PUBLICATION
 © COPYRIGHT BY TYCO ELECTRONICS CORPORATION. ALL RIGHTS RESERVED.

LOC	DIST	REVISIONS			
P	LTR	DESCRIPTION	DATE	DWN	APVD
G	14				
	D	REDRAWN PER 0G3A-0614-03	03OCT03	JR	MS



- 1 TONGUE THK IS .040±.002
- 2 STAMP "AMP 12-10* 6-9" LOCATED ON BOTTOM, APPROX AS SHOWN
- 3 TIN PLATE PER ASTM B545
- 4 FOR FOREIGN PRODUCTION ONLY

OBSOLETE	2-35773-1	△ 35773-0
	PART # ON TAPE	PART NO

THIS DRAWING IS A CONTROLLED DOCUMENT.		DWN jr_ruth 03OCT03	Tyco Electronics Corporation Harrisburg, PA 17105			
DIMENSIONS: INCHES		CHK MJ SPICER 03OCT03				
TOLERANCES UNLESS OTHERWISE SPECIFIED:		APVD MJ SPICER 03OCT03	NAME			
0 PLC ± - 1 PLC ± - 2 PLC ± - 3 PLC ± .008 4 PLC ± - ANGLES ± 5°		PRODUCT SPEC	TERMINAL, SOLISTRAND, RING TONGUE, WIRE SIZE: 12-10			
MATERIAL		APPLICATION SPEC	SIZE	CAGE CODE	DRAWING NO	RESTRICTED TO
FINISH		WEIGHT	A3	00779	C-35773	-
CUSTOMER DRAWING			SCALE	SHEET	OF	REV
			5:1	1	1	D

单击下面可查看定价，库存，交付和生命周期等信息

[>>TE Connectivity\(泰科\)](#)