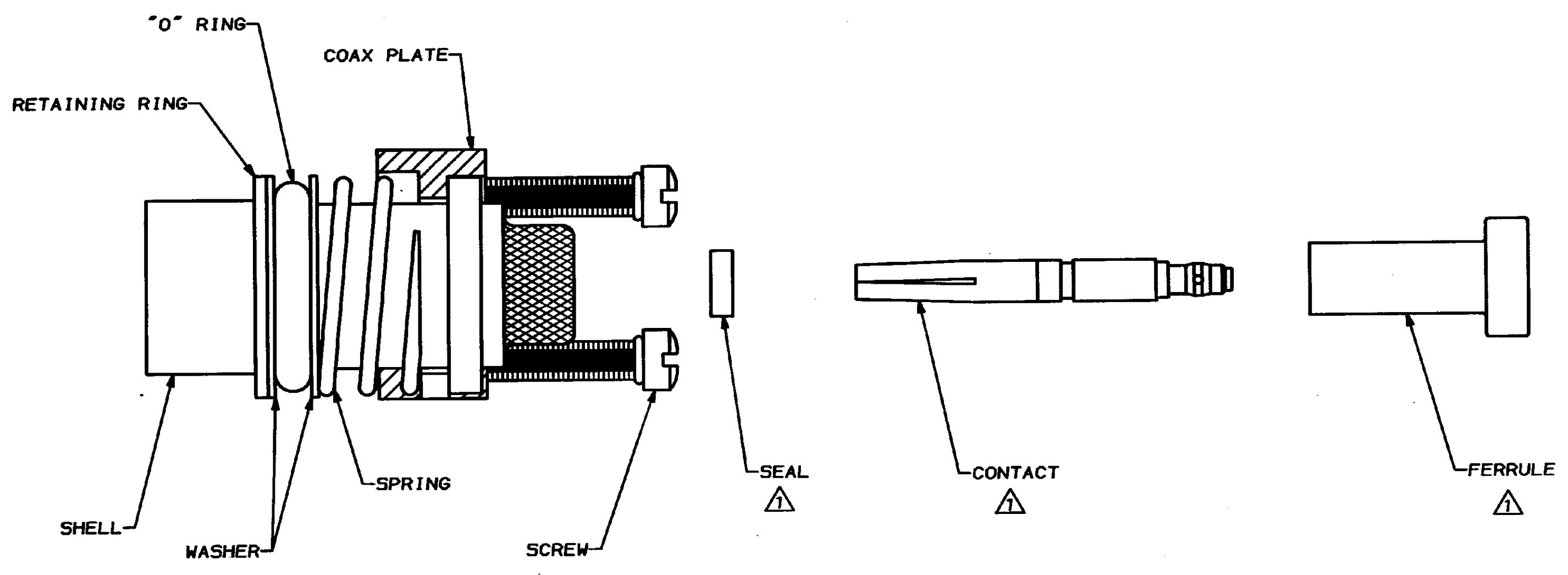


DRAWING MADE IN THIRD ANGLE PROJECTION
 THIS DRAWING IS UNPUBLISHED. RELEASED FOR PUBLICATION
 © COPYRIGHT 19 BY AMP INCORPORATED. ALL INTERNATIONAL RIGHTS RESERVED.

PROD	LOC	DIST	REVISIONS				DATE	APPD
4970	DF	AO	ZONE	LTR	DESCRIPTION			
					0 RELEASED PER W/O 0-021F	2-90	apl	

△ PARTS PACKAGED UNASSEMBLED



COAX SIZE ONE KIT FOR RG214/U	211229-1
DESCRIPTION	PART NO

DO NOT SCALE PRINT. UNLESS SPECIFIED DIMENSIONS IN INCHES TOLERANCES ON: 2 PLC DEC ± - 3 PLC DEC ± - ANGLES ± -	DR <i>W. Leifert</i> 2-20-90	AMP INCORPORATED Harrisburg, Pa. 17105	
	CHK <i>- Sewright</i> 2-20-90		
MATERIAL	APPD <i>E. Howard</i> 2-20-90	SIZE #1 COAX SUBASSEMBLY KIT, SOCKET, 71C1, ARINC600	
FINISH	PRODUCT SPEC	SIZE C	CAGE CODE 00779
	APPLICATION SPEC	DRAWING NO 211229	
	WEIGHT	SCALE 4:1	SHEET 1 of 1

CUSTOMER DRAWING

单击下面可查看定价，库存，交付和生命周期等信息

[>>TE Connectivity\(泰科\)](#)