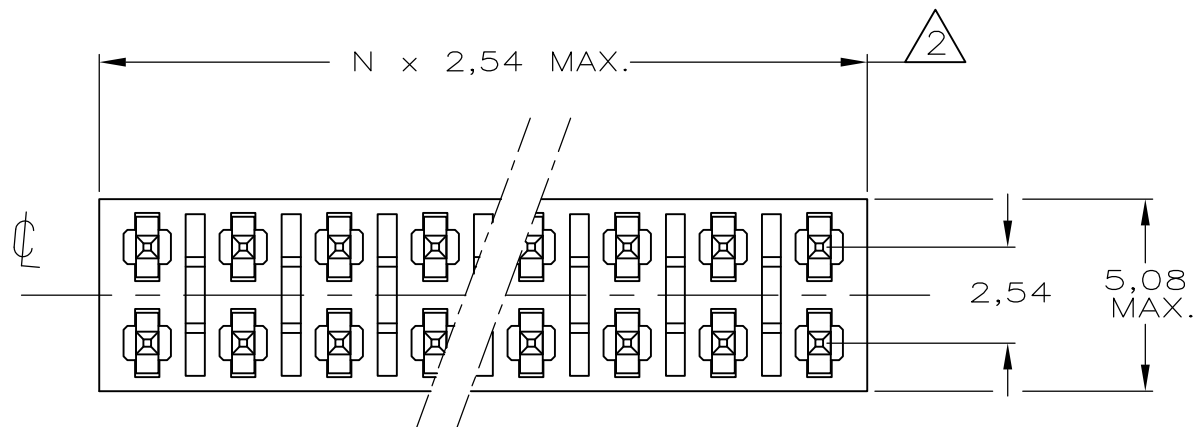


THIS DRAWING IS UNPUBLISHED. RELEASED FOR PUBLICATION

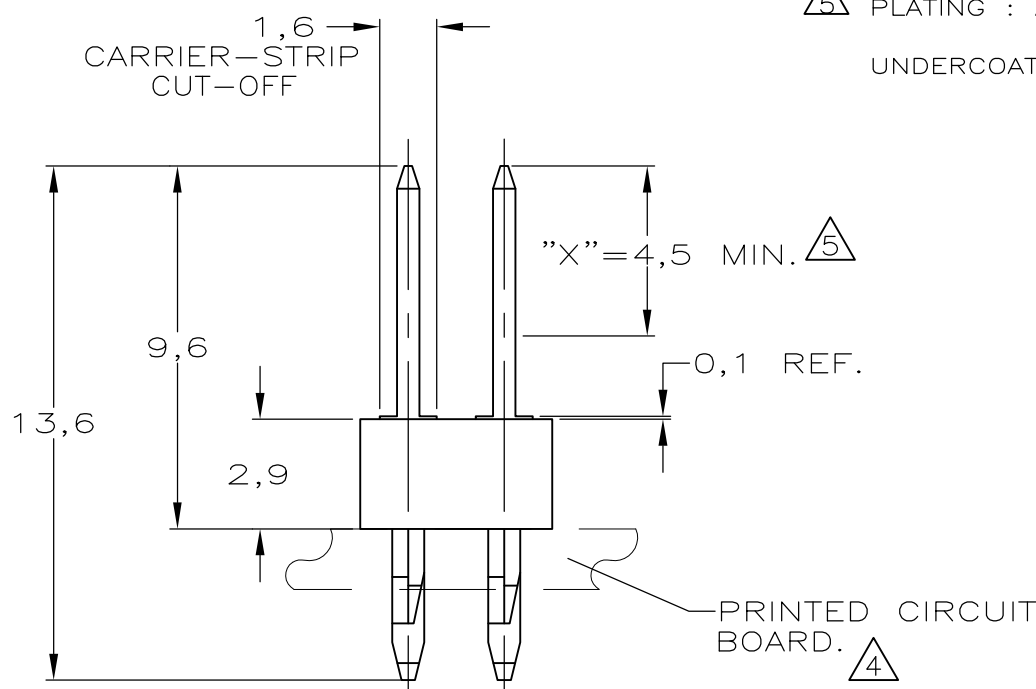
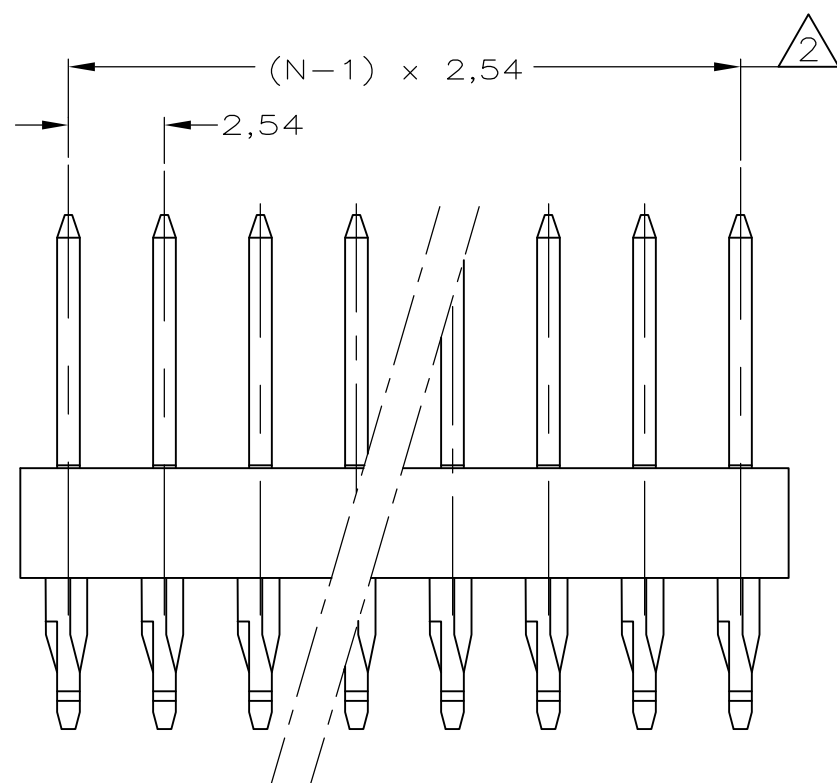
© COPYRIGHT - By - ALL RIGHTS RESERVED.

LOC	DIST	REVISIONS					
		P	LTR	DESCRIPTION	DATE	DWN	APVD
-	-	C1		DRAWING TITLE CORRECTION	19NOV2015	KJK	PS



NOTES:

- 1. CONTACT HOUSING RETENTION FORCE >1,5 N
- 2 TO DETERMINE DIMENSIONS TAKE N = Nr. OF POSITIONS.
FOR EXAMPLE 10 POS. : N x 2,54 = 25,40 mm
- 3 MATERIAL HOUSING : GREEN GLASSFILLED POLYESTER.
MATERIAL CONTACT : PHOSPHOR BRONZE
FOR ORDERNR. USE BASIC NR. + NR OF POSITIONS.
FOR EXAMPLE : 2 POS.= 215447-2 (SHORTEST VERSION)
40 POS.=4-215447-0 (LONGEST VERSION)
- 4 ACTION PIN SUITABLE FOR 1,6mm MIN. P.C.BOARD THICKNESS.
- 5 PLATING : AREA "X" Au-PLATED 0,76µm THICKNESS.
ACTION-PIN AREA, Sn PLATED 1,27µm THICKNESS.
UNDERCOATING : 1,27µm Ni ALL OVER.



P.C.B. HOLE DIM. ACTION PIN	
DRILLED HOLE	: 1,15 ±0,025 mm
FIN. HOLE	: 0,94 to 1,09 mm
AFTER REFLOW	: 0,91 to 1,09 mm
Cu-thks	: 0,025 to 0,075 mm
Sn-thks	: 0,004 to 0,010 mm

THIS DRAWING IS A CONTROLLED DOCUMENT.		DWN	01.02.1988		STE TE Connectivity
		CHK	L.V.D.HEIJDEN		
		APVD	P.V.D.HAGEN		
		PRODUCT SPEC	-		
DIMENSIONS:		TOLERANCES UNLESS OTHERWISE SPECIFIED:		NAME	
mm		±0.2mm		MOD II ACTION PIN HEADER, DUAL ROW	
		0 PLC ± -		SIZE	
		1 PLC ± -		CAGE CODE	
		2 PLC ± -		DRAWING NO	
		3 PLC ± -		RESTRICTED TO	
		4 PLC ± -		A3 00779 C-215447	
		ANGLES ± -		SCALE	
MATERIAL		FINISH		5:1	
SEE NOTES		SEE NOTES		SHEET	
				1 OF 1	
				REV	
				C1	
				CUSTOMER DRAWING	

单击下面可查看定价，库存，交付和生命周期等信息

[>>TE Connectivity\(泰科\)](#)