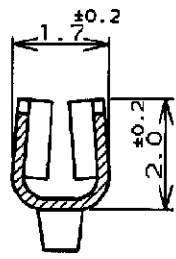
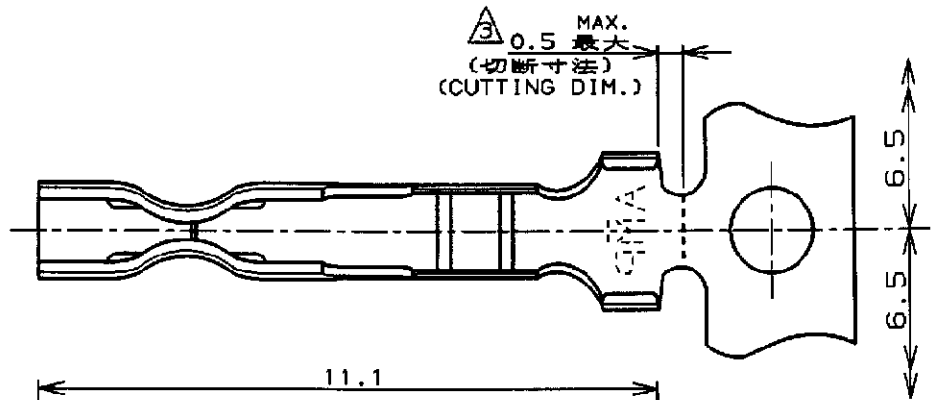
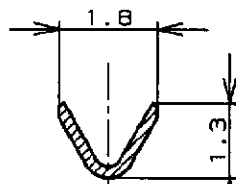
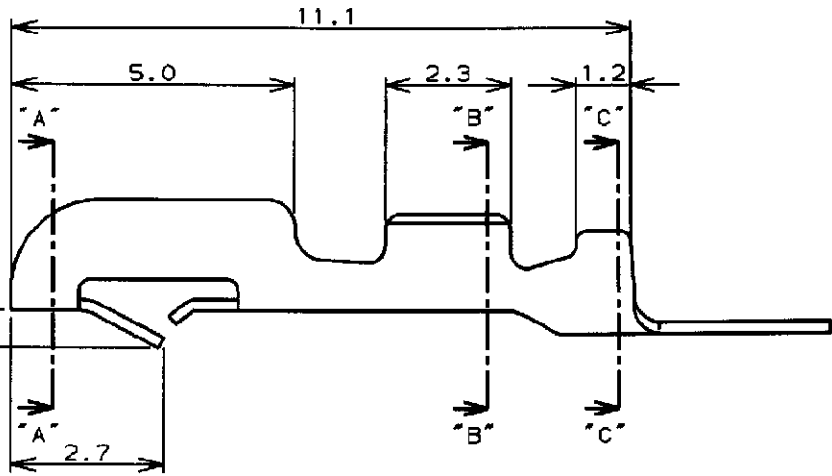


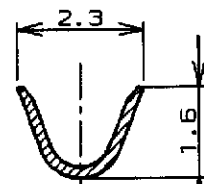
| LOC | DIST | REVISIONS | | | | | | |
|-----|------|-----------|-----|-------------|--------------|-----------|-----|------|
| | | P | LTR | DESCRIPTION | ECN | DATE | DWN | APVD |
| J | | | A | REDRAWN | FJ00-1640-97 | 31.OCT.97 | H.H | S.K |



断面 "A"- "A"
SECT.



断面 "B"- "B"
SECT.



断面 "C"- "C"
SECT.

NOTES:

1. HOUSINGS, P/N:171822 AND 171880 ARE USED.
2. L/P CONTACT P/N:170205-3.
3. HAND TOOL P/N:722561-1.

注記:

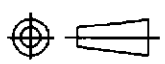
1. 使用ハウジングは製品型番:171822及び171880.
2. L/P端子 製品型番:170205-3.
3. 適用手動工具 製品型番:722561-1.

THIS DRAWING IS UNPUBLISHED. BY AMP INCORPORATED. ALL RIGHTS RESERVED. RELEASED FOR PUBLICATION. ,19

| | | | |
|--|--------------------|-------------------------------------|--------------------|
| WIRE RANGE 包含電線断面積 0.05~0.15mm ² (AWG30~26) | | INSULATION DIA 被覆外径 1.0~1.4mm | |
| MATERIAL PHOS BR 材料 0.2mm THICKNESS | | FINISH 仕上 GOLD PLATING | |
| AMP 日本エー・エム・ピー株式会社 Kawasaki, Japan | | NAME 名称 コンタクト (AMP EI シリーズ コネクタ) | |
| | | CONTACT (AMP EI SERIES CONNECTOR) | |
| SIZE A | CAGE CODE 00779 | DRAWING NO 番号 C-170263-3 | |
| CUSTOMER DRAWING | | SCALE 尺 8-1 | SHEET 1 OF 1 REV A |

| | |
|--|-------|
| DIMENSIONS: 單位 純 mm | |
| TOLERANCES UNLESS OTHERWISE SPECIFIED: | |
| 一般公差 | ±0.4 |
| 10% | ±0.4 |
| 50% | ±0.4 |
| 100% | ±0.4 |
| ANGLE | ±1°0' |

| | |
|--|-----------|
| DWN <i>H. Hoshino</i> 31.OCT.97 | 31.OCT.97 |
| CHK <i>A. Tomiyama</i> 31.OCT.97 | 31.OCT.97 |
| APVD <i>S. Kobayashi</i> 31.OCT.97 | 31.OCT.97 |
| PRODUCT SPEC 製品規格 108-5118 | |
| APPLICATION SPEC 取付適用規格 114-5035 | |
| WEIGHT --- | |



单击下面可查看定价，库存，交付和生命周期等信息

[>>TE Connectivity\(泰科\)](#)