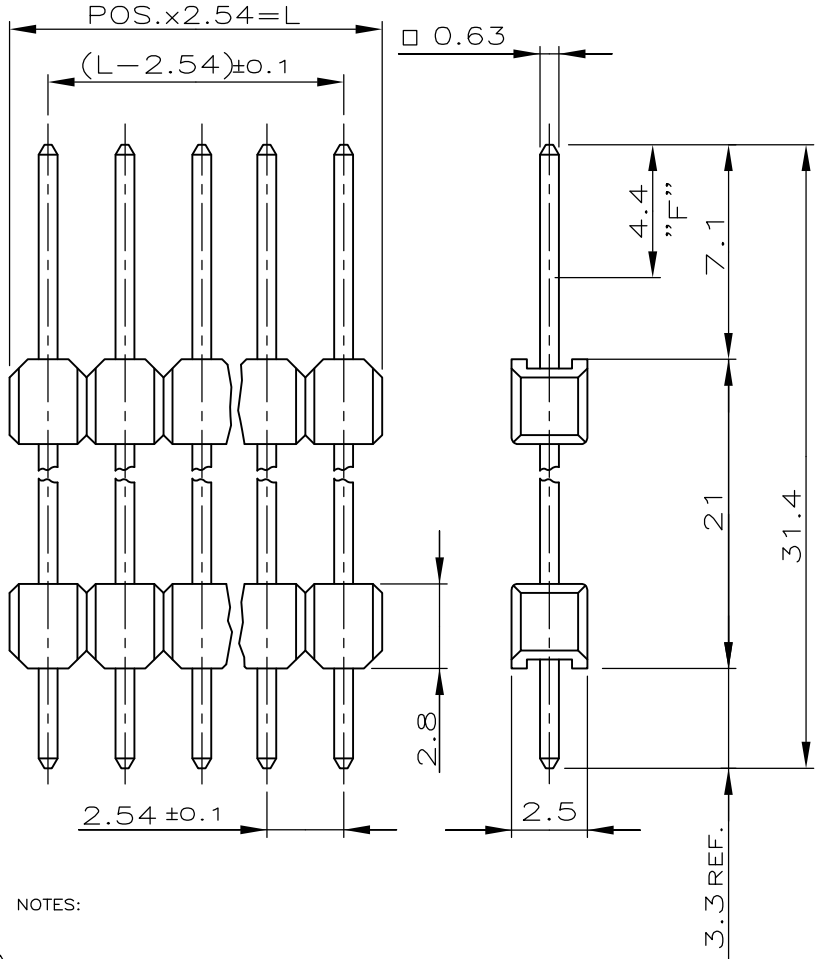


LOC	DIST	REVISIONS					
—	—	P	LTR	DESCRIPTION	DATE	DWN	APVD
		C		CONTACT PIN BASE MATERIAL & PLATING CHANGE	07JUL2014	KJK	JK

POS.	L±0.4	PART NUMBER	
—	—	—	
2	5.08	—-2	OBSOLETE $\Delta$
3	7.62	—-3	
4	10.16	—-4	OBSOLETE
5	12.70	—-5	OBSOLETE
6	15.24	—-6	$\Delta$
7	17.78	—-7	
8	20.32	—828 228 8	OBSOLETE
9	22.86	—-9	$\Delta$
10	25.40	—-0	OBSOLETE
11	27.94	—-1	OBSOLETE $\Delta$
12	30.48	—-2	
13	33.02	—-3	OBSOLETE
14	35.56	—-4	$\Delta$
15	38.10	—-5	
16	40.64	—-6	OBSOLETE
17	43.18	—-7	OBSOLETE
18	45.72	—-8	
19	48.26	—-9	$\Delta$
20	50.80	—-0	OBSOLETE
21	53.34	—-1	
22	55.88	—-2	
23	58.42	—-3	OBSOLETE
24	60.96	—-4	
25	63.50	—-5	$\Delta$
26	66.04	—-6	
27	68.58	—-7	
28	71.12	—-8	
29	73.66	—-9	
30	76.20	—-0	
31	78.74	—-1	
32	81.28	—-2	OBSOLETE
33	83.82	—-3	
34	86.36	—-4	
35	88.90	—-5	
36	91.44	—-6	
37	93.98	—-7	
38	96.52	—-8	
39	99.06	—-9	
40	101.60	—-0	$\Delta$
41	104.14	—-1	
42	106.68	—-2	
43	109.22	—-3	
44	111.76	—-4	
45	114.30	—-5	
46	116.84	—-6	
47	119.38	—-7	
48	121.92	—-8	
49	124.46	—-9	OBSOLETE $\Delta$
50	127.00	—5 828 228 0	OBSOLETE



NOTES:

$\Delta$  1 MATING SIDE: MIN. 0.7 $\mu$ m PdNi + MIN. 0.1 $\mu$ m GOLD FLASH BY AREA "F" OVER 1.27 $\mu$ m NICKEL  
SOLDER SIDE: MIN. 2.5 $\mu$ m TIN OVER 1.27 $\mu$ m NICKEL

$\Delta$  2 OBSOLETE PARTS: OBSOLETE CIS STREAMLINING PER D.RENAUD/D.SINISI

CONTACT PIN	CuZn	$\Delta$ 1
PIN HOUSING	PBT	GREEN
DESCRIPTION	MATERIAL	FINISH
		COLOR

THIS DRAWING IS UNPUBLISHED. JK  
 ALL RIGHTS RESERVED.

DIMENSIONS: mm	DWN	G.HOLAUS	31.08.89	MATERIAL	SEE TABLE	FINISH	SEE TABLE
	CHK	M.SCHAARSCHMIDT	—				
TOLERANCES UNLESS OTHERWISE SPECIFIED:	APVD	—	—				
±0.2 mm	PRODUCT SPEC	108-18012	NAME	SPEC. AMPMODU II PIN HEADER, SINGLE ROW			
0 PLC ± -	APPLICATION SPEC	—	SIZE	CAGE CODE	DRAWING NO	RESTRICTED TO	
1 PLC ± -	WEIGHT	—	A4	00779	C-828228	—	
2 PLC ± -						SCALE	4:1
3 PLC ± -						SHEET	1 OF 1
4 PLC ± -						REV	C
ANGLES ± -							

单击下面可查看定价，库存，交付和生命周期等信息

[>>TE Connectivity\(泰科\)](#)