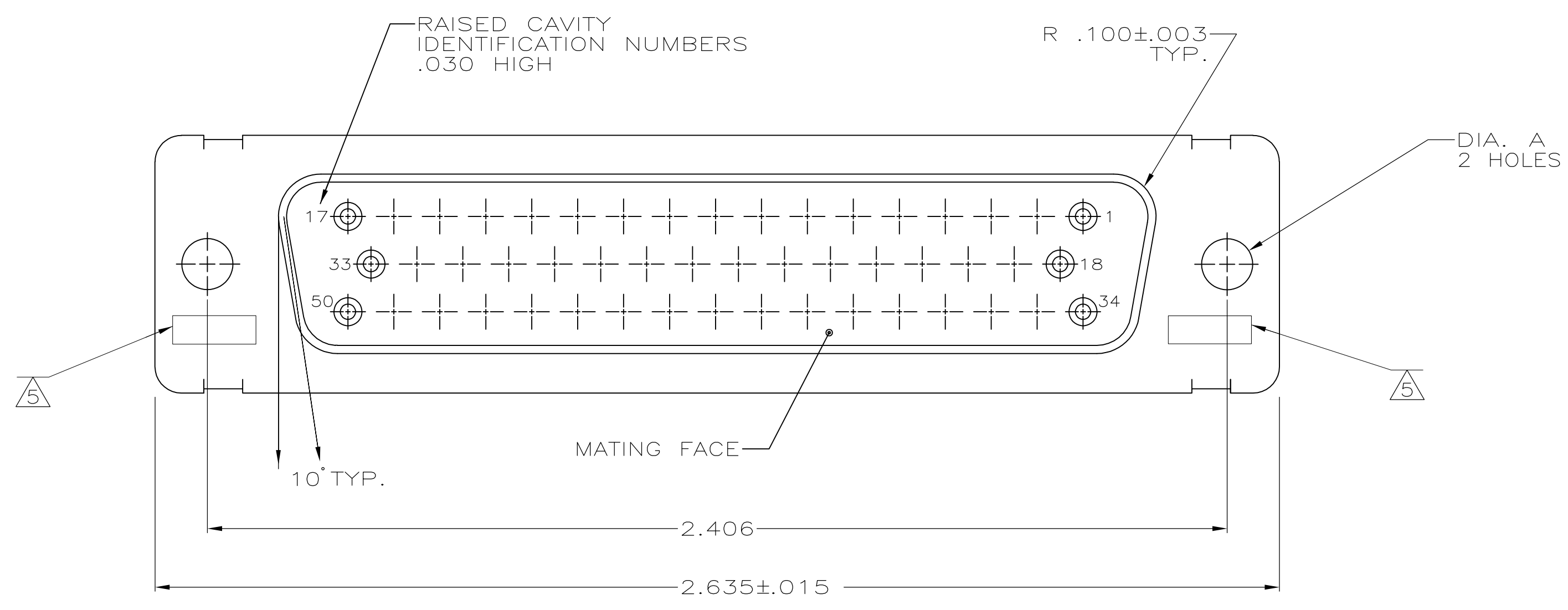
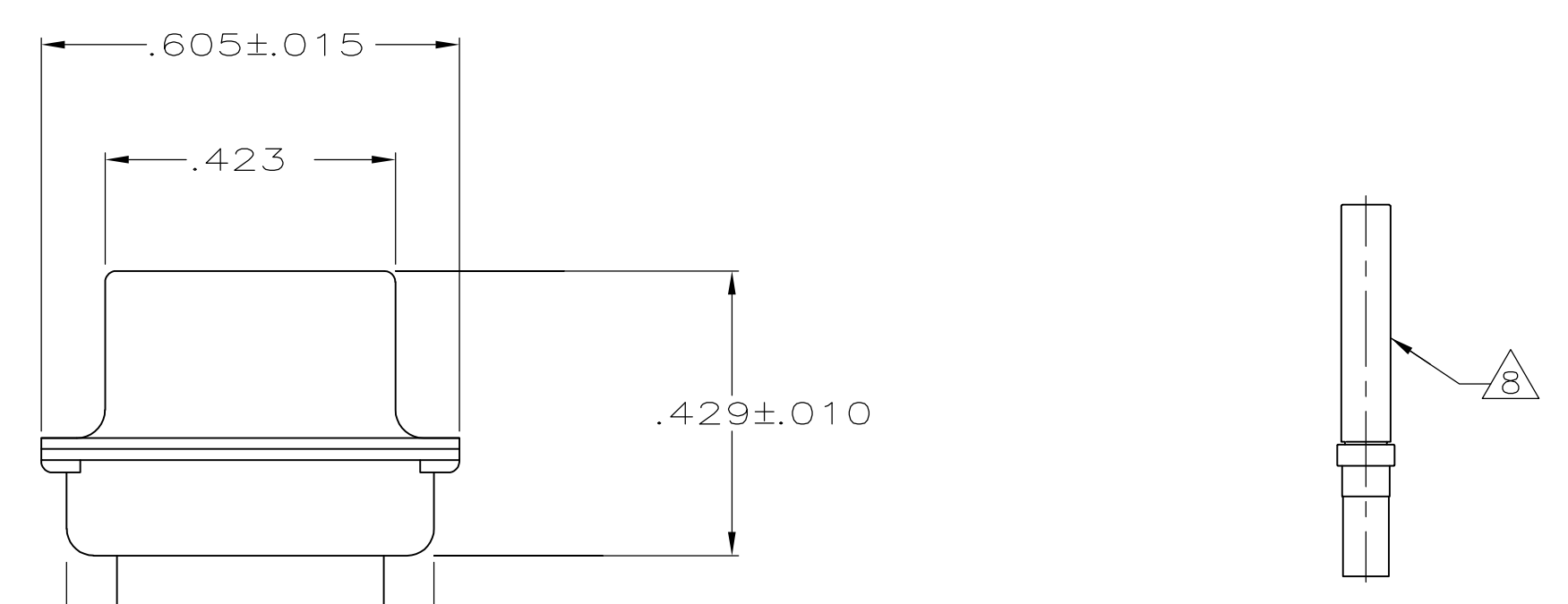
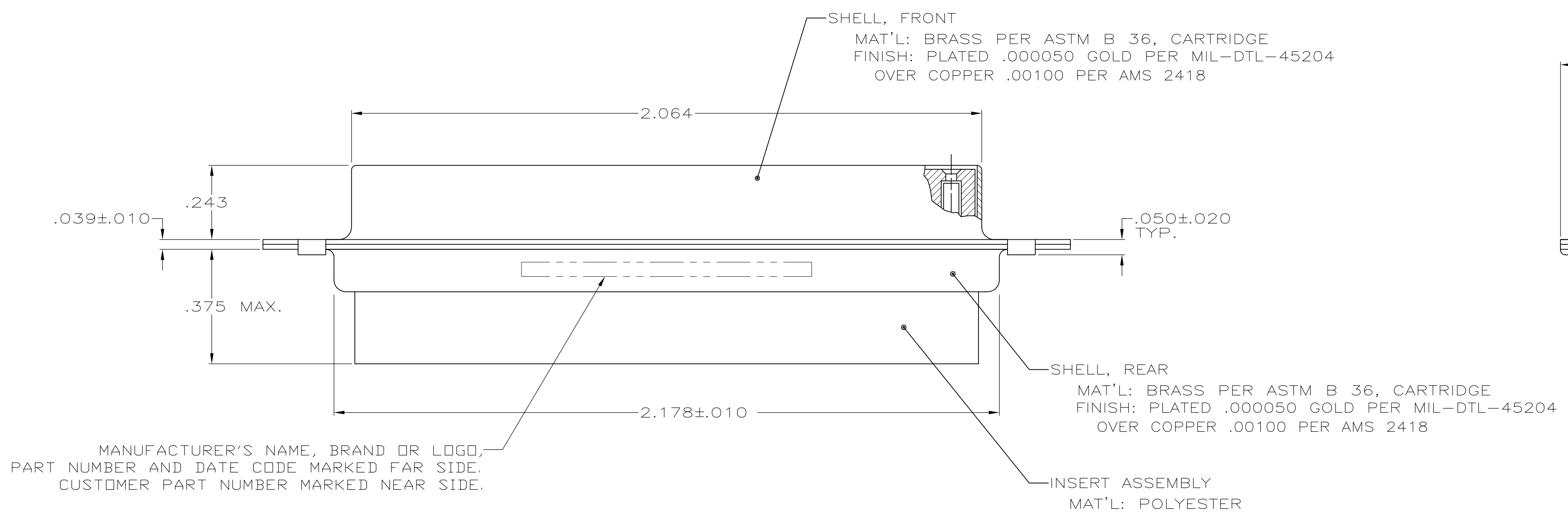


LOC		DIST		REVISIONS			
P	LTR	DESCRIPTION	DATE	DNW	APVD		
T		REV PER ECO 15-016064	11-9-15	CT	CD		



1. THIS RECEPTACLE WILL MATE WITH ANY PLUG CONNECTOR WITH THE SAME INSERT ARRANGEMENT AS DEFINED BY MS18277-1.
2. MAXIMUM WIRE INSULATION USED WITH THIS RCPT. IS .072 DIA. MAX.
3. Be-Cu RETENTION CLIPS ARE INCLUDED IN INSERTS.
- 4 FAR SIDE REFERS TO WIDE SIDE OF KEYSTONE.
- 5 UL/CSA DESIGNATION STAMPED IN THIS AREA, OPTIONAL
- 6 THIS CONNECTOR IS QUALIFIED TO GODDARD SPACE FLIGHT CENTER S-311-P-4.
- 7 RESTRICTED TO CAE ELECTRONICS ONLY.
- 8 CONNECTOR SUPPLIED WITH 50 CONTACTS, AMP PART NUMBER 206793-1; (NOT INSTALLED).



NOT RELEASED FOR PRODUCTION

OBSOLETE

OBSOLETE

8	.120	LMSC 1621480-005	206805-9	206805-9
	.120	LMSC 1621480-005	206805-8	206805-8
6 7	.120	311P409-5S-B-12	206805-2	206805-7
		1A01-032RHA		206805-6
				206805-5
	.120	2A014-010V-001	206805-4	206805-4
	.154		206805-3	206805-3
6	.120	311P409-5S-B-12	206805-2	206805-2
6	.154	311P409-5S-B-15	206805-1	206805-1
REMARKS	DIA A	MARKED CUSTOMER P/N	MARKED MFG P/N	PART NUMBER

THIS DRAWING IS A CONTROLLED DOCUMENT.

APPROVED: M. CLOUSER, 1-4-89
CHK: T. CANTLIN, 1-24-89

STE TE Connectivity

RECEPTACLE FOR SOCKET CONTACTS, SERIES 109, 50 POSITION, AMPLIMITE

SIZE: A1, CASE CODE: 00779, DRAWING NO: 206805, WEIGHT: --, RESTRICTED TO: --

CUSTOMER DRAWING, SCALE: 4:1, SHEET: 1 OF 1, REV: T

单击下面可查看定价，库存，交付和生命周期等信息

[>>TE Connectivity\(泰科\)](#)