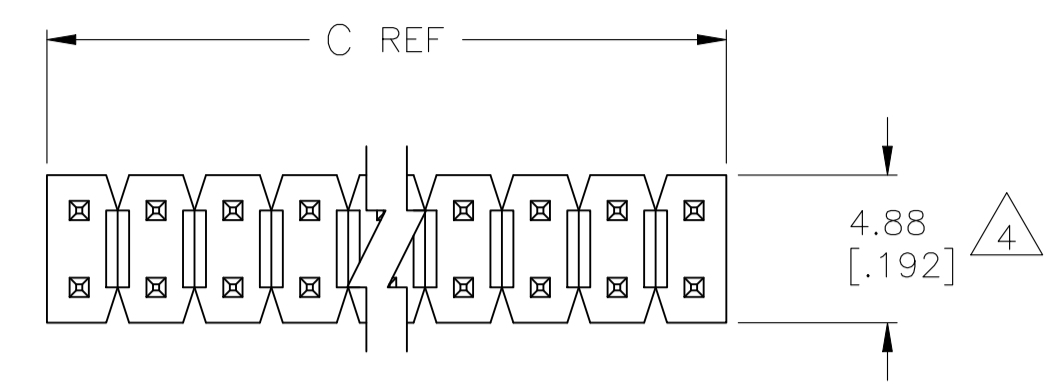
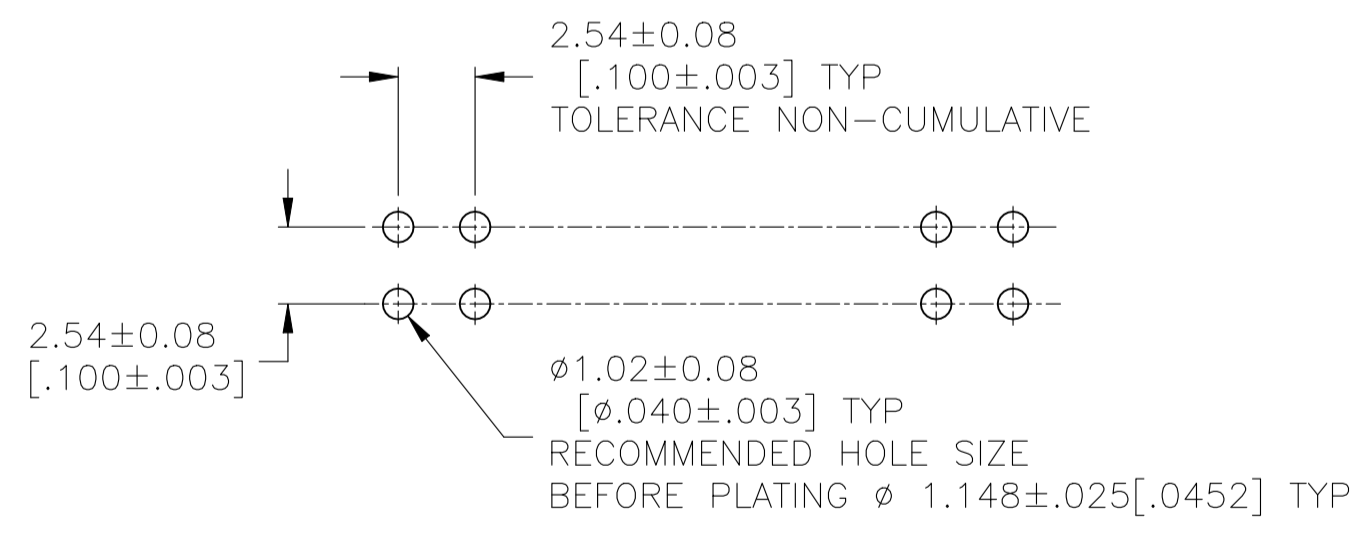
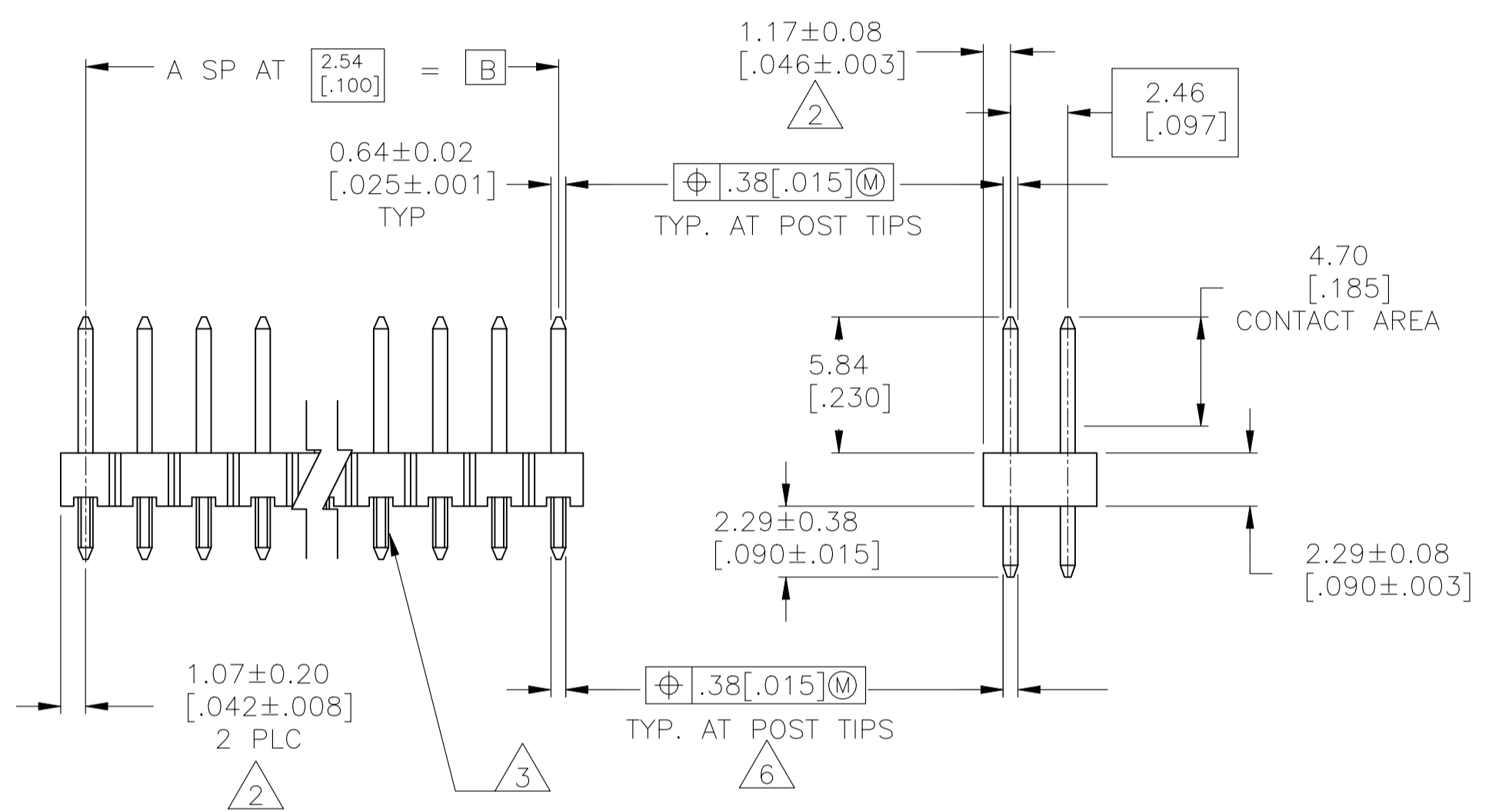


REVISIONS				
REV	DESCRIPTION	DATE	BY	APPD
G1	REVISED PER ECO-21-006476	05JUN2021	RK	JO



- 1 TRUE POSITION TOLERANCE OF THE POST TIPS APPLIES WHEN THE HEADER IS HELD FLAT AGAINST THE PRINTED CIRCUIT BOARD
- 2 THE NOTED DIMENSIONS APPLY AT THE INTERSECTION OF THE POST AND HOUSING
- 3 RETENTION FEATURE ON SOLDERTAILS LOCATED AT MANUFACTURER'S OPTION.
- 4 THIS DIMENSION WILL BE 4.67±0.41 [0.184±0.016] FOR THE 2 POSITION CONFIGURATION



RECOMMENDED HOLE LAYOUT

101.19 [3.984]	99.06 [3.900]	39	80	4-146426-0
98.65 [3.884]	96.52 [3.800]	38	78	3-146426-9
96.11 [3.784]	93.98 [3.700]	37	76	3-146426-8
93.57 [3.684]	91.44 [3.600]	36	74	3-146426-7
91.03 [3.584]	88.90 [3.500]	35	72	3-146426-6
88.49 [3.484]	86.36 [3.400]	34	70	3-146426-5
85.95 [3.384]	83.82 [3.300]	33	68	3-146426-4
83.41 [3.284]	81.28 [3.200]	32	66	3-146426-3
80.87 [3.184]	78.74 [3.100]	31	64	3-146426-2
78.33 [3.084]	76.20 [3.000]	30	62	3-146426-1
75.79 [2.984]	73.66 [2.900]	29	60	3-146426-0
73.25 [2.884]	71.12 [2.800]	28	58	2-146426-9
70.71 [2.784]	68.58 [2.700]	27	56	2-146426-8
68.17 [2.684]	66.04 [2.600]	26	54	2-146426-7
65.63 [2.584]	63.50 [2.500]	25	52	2-146426-6
63.09 [2.484]	60.96 [2.400]	24	50	2-146426-5
60.55 [2.384]	58.42 [2.300]	23	48	2-146426-4
58.01 [2.284]	55.88 [2.200]	22	46	2-146426-3
55.47 [2.184]	53.34 [2.100]	21	44	2-146426-2
52.93 [2.084]	50.80 [2.000]	20	42	2-146426-1
50.39 [1.984]	48.26 [1.900]	19	40	2-146426-0
47.85 [1.884]	45.72 [1.800]	18	38	1-146426-9
45.31 [1.784]	43.18 [1.700]	17	36	1-146426-8
42.77 [1.684]	40.64 [1.600]	16	34	1-146426-7
40.23 [1.584]	38.10 [1.500]	15	32	1-146426-6
37.69 [1.484]	35.56 [1.400]	14	30	1-146426-5
35.15 [1.384]	33.02 [1.300]	13	28	1-146426-4
32.61 [1.284]	30.48 [1.200]	12	26	1-146426-3
30.07 [1.184]	27.94 [1.100]	11	24	1-146426-2
27.53 [1.084]	25.40 [1.000]	10	22	1-146426-1
24.99 [.984]	22.86 [.900]	9	20	1-146426-0
22.45 [.884]	20.32 [.800]	8	18	146426-9
19.91 [.784]	17.78 [.700]	7	16	146426-8
17.37 [.684]	15.24 [.600]	6	14	146426-7
14.83 [.584]	12.70 [.500]	5	12	146426-6
12.29 [.484]	10.16 [.400]	4	10	146426-5
9.75 [.384]	8.99 [.300]	3	8	146426-4
7.21 [.284]	6.45 [.200]	2	6	146426-3
4.67 [.184]	2.54 [.100]	1	4	146426-2
2.33 [.092]	-	-	2	146426-1
C	B	A	NO OF POSN	PART NUMBER

THIS DRAWING IS A CONTROLLED DOCUMENT.

DIMENSIONS: mm [NCHES]	TOLERANCES UNLESS OTHERWISE SPECIFIED:	DIN T. HOFFMAN 6SEP95	STE TE Connectivity
0 PLC ± -	1 PLC ± -	CHK G. DUBNICZKI 20CT95	NAME HDR ASSY, MOD II, B/A, DBL ROW, .100 X .100 CL, VERT., .025 SQ POSTS W/HD
2 PLC ± 0.13[005]	3 PLC ± -	APVD G. DUBNICZKI 20CT95	PRODUCT SPEC
4 PLC ± -	ANGLES ± -	APPLICATION SPEC	SIZE CAGE CODE DRAWING NO
MATERIAL HOUSING: FLAME RETARDANT THERMOPLASTIC SOLDER: BLACK POST: COPPER ALLOY	FINISH POSTS: 0.00012[0.00005] GOLD DUX	WEIGHT	A1 00779 C=146426
CUSTOMER DRAWING		SCALE 4:1	SHEET 1 of 1 REV G1

单击下面可查看定价，库存，交付和生命周期等信息

[>>TE Connectivity\(泰科\)](#)